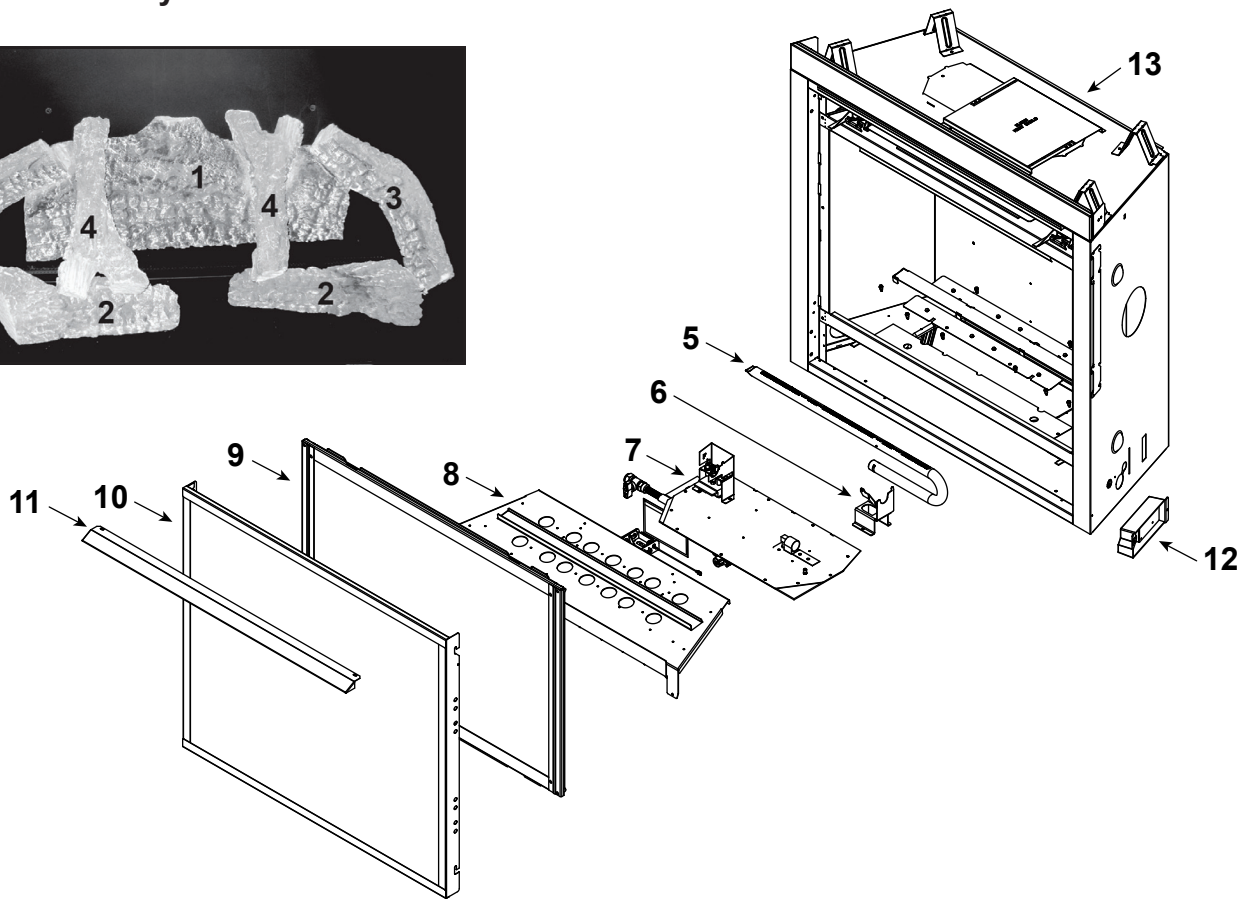
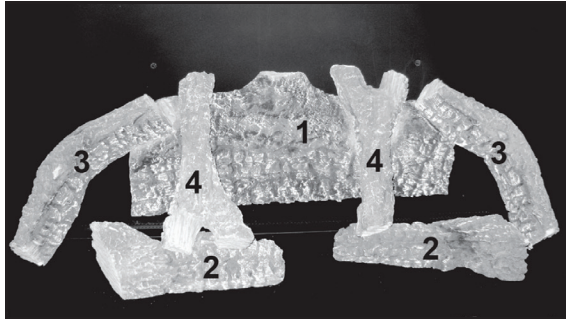


Log Set Assembly



IMPORTANT: THIS IS DATED INFORMATION. Parts must be ordered from a dealer or distributor. **Hearth and Home Technologies does not sell directly to consumers.** Provide model number and serial number when requesting service parts from your dealer or distributor.



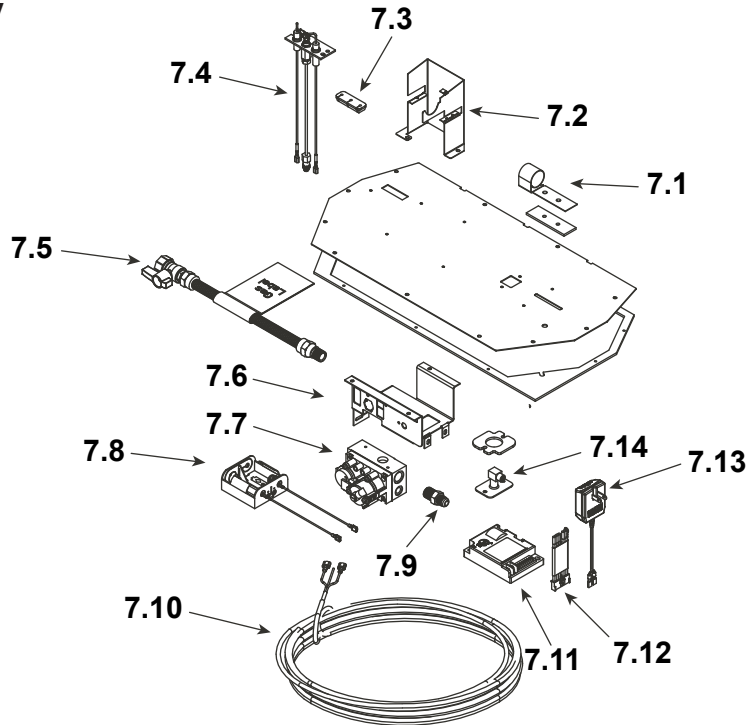
Stocked at Depot

ITEM	DESCRIPTION	COMMENTS	PART NUMBER	
	Log Set Assembly		LOGS-750F	Y
1	Log 1		SRV2298-700	
2	Log 2	Qty 2 req	SRV2033-709	
3	Log 3		SRV2033-721	
4	Log 4	Qty 2 req	SRV2033-720	
5	Burner NG, LP		2298-105	Y
6	Burner Leg		2297-103	
7	Valve Assembly		See following page	
8	Base pan		2298-017	
9	Glass Door Assembly		GLA-750TR	Y
10	Firescreen Front		FS-7-BK	Y
11	Hood		2118-230	
12	Junction Box		SRV4021-013	Y
13	Elbow Heat Shield		385-290	

No one builds a better fire

Beginning Manufacturing Date: Dec 2016
Ending Manufacturing Date: Sept 2020

#7 Valve Assembly



IMPORTANT: THIS IS DATED INFORMATION. Parts must be ordered from a dealer or distributor. **Hearth and Home Technologies does not sell directly to consumers.** Provide model number and serial number when requesting service parts from your dealer or distributor.



Stocked at Depot

ITEM	DESCRIPTION	COMMENTS	PART NUMBER	
7.1	Shutter Bracket Assembly		2118-121	Y
7.2	Pilot Bracket		2297-112	
7.3	3-Hole Grommet		SRV2118-420	
7.4	Pilot Assembly NG		SRV2090-012	Y
	Pilot Assembly LP		2090-013	Y
	Pilot Tube		SRV485-301	Y
7.5	Flex Ball Valve Assembly		SRV302-320	Y
7.6	Valve Bracket		2118-104	
7.7	Valve NG		750-500	Y
	Valve LP		750-501	Y
7.8	Battery Pack		SRV593-594	Y
7.9	Male Connector	Pkg of 5	303-315/5	Y
7.10	Thermostat Wire Assembly		SRV2118-170	Y
7.11	Module		SRV593-592	Y
7.12	Module Wire Assembly		SRV593-590	Y
7.13	3 Volt Transformer		SRV593-593	Y
7.14	Flexible Gas Connector		SRV7000-156	Y
	Male-Male 2" Junper Wire		SRV2012-206	Y
	Orifice NG (#42)		582-842	Y
	Orifice LP (#54)		SRV582-854	Y

Additional service part numbers appear on following page.

