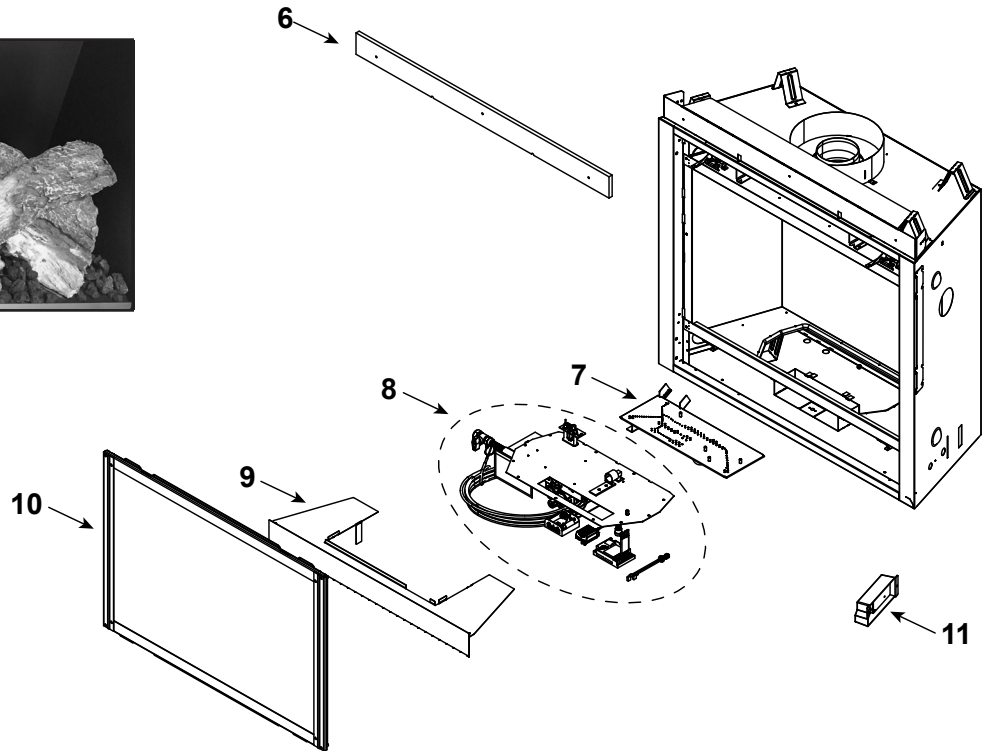
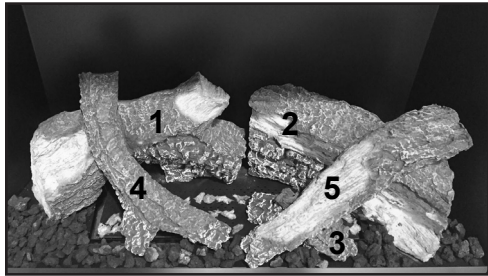


Log Set Assembly



IMPORTANT: THIS IS DATED INFORMATION. Parts must be ordered from a dealer or distributor. **Hearth and Home Technologies does not sell directly to consumers.** Provide model number and serial number when requesting service parts from your dealer or distributor.



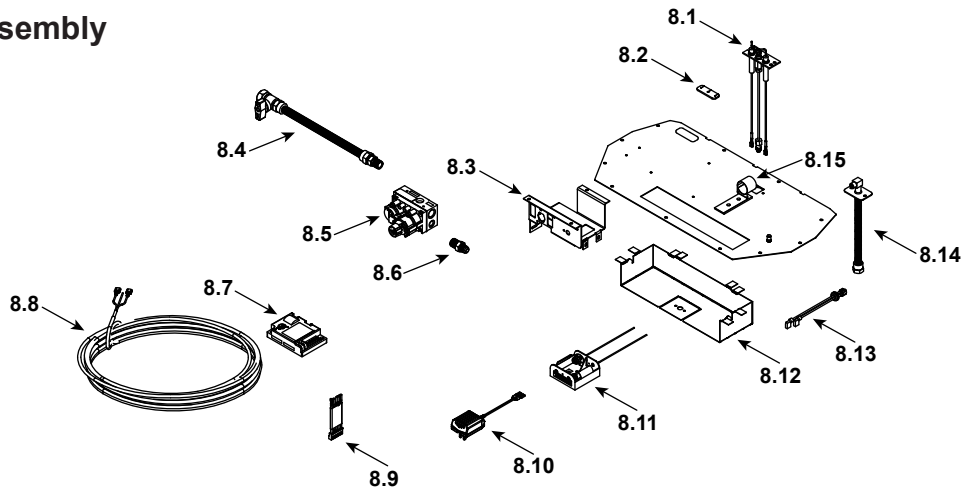
Stocked at Depot

| ITEM | DESCRIPTION | COMMENTS | PART NUMBER | |
|------|---|---------------------|--------------------|---|
| | Log Set Assembly | | LOGS-SL7 | Y |
| 1 | Rear Left Log | | SRV2392-707 | |
| 2 | Rear Right Log | | SRV2392-708 | |
| 3 | Burner Log | | SRV2392709 | |
| 4 | Top Left Log | | SRV2392-711 | |
| 5 | Top Right Log | | SRV2392-710 | |
| 6 | Non-Combustible Board | | 2117-401 | |
| 7 | Burner Assembly | | 2392-007 | Y |
| 8 | Valve Assembly | | See following page | |
| 9 | Basepan | No longer available | 2395-111 | |
| 10 | Glass Door Assembly | | GLA-750TR | Y |
| 11 | Junction Box | | SRV4021-013 | Y |
| | Firescreen | | FS-7BV-BK | |
| | Gasket Assembly : Contains Burner neck, shutter bracket, vent, seal cap, valve plate, and air passage gaskets | | 2118-080 | |
| | High Limit Switch | | SRV4021-383 | Y |
| | Lava Rock | | 4021-297 | |
| | Mineral Wool | | 050-721 | |
| | Touch Up Paint | | TUP-GBK-12 | |

No one builds a better fire

Beginning Manufacturing Date: May 2016
Ending Manufacturing Date: March 2020

#8 Valve Assembly



IMPORTANT: THIS IS DATED INFORMATION. Parts must be ordered from a dealer or distributor. **Hearth and Home Technologies does not sell directly to consumers.** Provide model number and serial number when requesting service parts from your dealer or distributor.



Stocked at Depot

| ITEM | DESCRIPTION | COMMENTS | PART NUMBER | |
|------|--------------------------|--|-------------|---|
| 8.1 | Pilot Assembly NG | | 2106-169 | Y |
| | Pilot Assembly LP | | 2106-170 | Y |
| | Pilot Tube | | SRV485-301 | Y |
| 8.2 | 3-Hole Grommet | | SRV2118-420 | |
| 8.3 | Valve Bracket | | 2118-104 | |
| 8.4 | Flex Ball Valve Assembly | | SRV302-320 | Y |
| 8.5 | Valve NG | | 750-500 | Y |
| | Valve LP | | 2155-501 | Y |
| 8.6 | Male Connector | Pkg of 5 | 303-315/5 | |
| 8.7 | Module | | 593-592 | Y |
| 8.8 | Thermostat Wire Assembly | | SRV2118-170 | Y |
| 8.9 | Module Wire Assembly | | SRV593-590 | Y |
| 8.10 | 3 Volt Transformer | | SRV593-593 | Y |
| 8.11 | Battery Pack | | SRV593-594 | Y |
| 8.12 | Air Chute | No longer available | 2119-154 | |
| 8.13 | Wire Assembly 80" & 72" | | 522-504A | Y |
| 8.14 | Bulkhead w/Flex Tube | | SRV7000-156 | Y |
| | Orifice NG (#42C) | | 582-842 | Y |
| | Orifice LP (#54C) | | SRV582-854 | Y |
| 8.15 | Shutter Bracket Assembly | | 2118-121 | |
| | High Limit Switch | | SRV4021-383 | Y |
| | Conversion Kit NG | | NGK-SL7 | |
| | Conversion Kit LP | | LPK-SL7 | |
| | Pilot Orifice NG | | SRV593-528 | Y |
| | Pilot Orifice LP | | SRV593-527 | Y |
| | Regulator NG | | SRVNGK-DXV | Y |
| | Regulator LP | Not Available - Must replace Gas Valve | | |