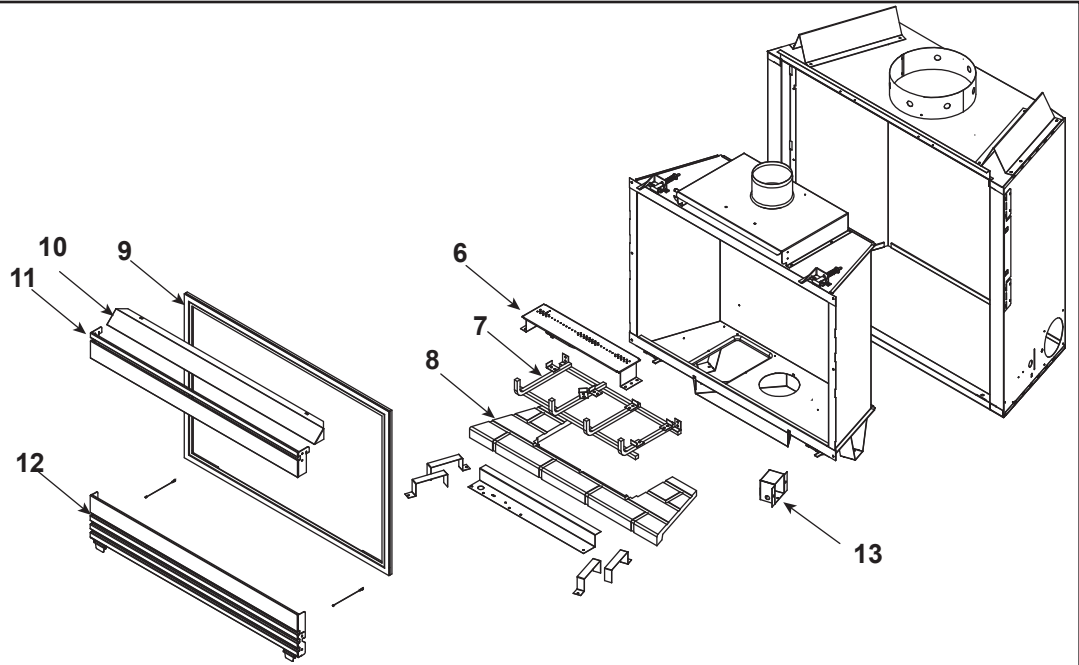
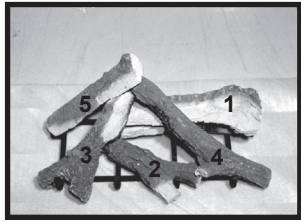


Log Set Assembly



IMPORTANT: THIS IS DATED INFORMATION. Parts must be ordered from a dealer or distributor. **Hearth and Home Technologies does not sell directly to consumers.** Provide model number and serial number when requesting service parts from your dealer or distributor.



Stocked at Depot

ITEM	DESCRIPTION	COMMENTS	PART NUMBER	
	Log Set Assembly		LOGS-750	Y
1	Log 1	No longer available, Must order complete assembly	SRV530-711	
2	Log 2		SRV402-701	
3	Log 3		SRV560-703	
4	Log 4		SRV560-702	
5	Log 5		SRV560-704	
6	Burner NG	No longer available	SRV530-231A	
	Burner LP		530-233A	Y
7	Grate Assembly	No longer available	530-360A	
8	Base Refractory	No longer available	2045-108	
9	Glass Door Assembly		GLA-6TROC	Y
10	Hood		SRV60-143-BK	
11	Top Louver NG	No longer available	530-254A	
		No longer available	SRV530-257A-BK	
	Top Louver LP	No longer available	530-254A	
		No longer available	SRV530-257A-BK	
12	Bottom Louver NG	No longer available	530-246A	
		No longer available	SRV530-237A-BK	
	Bottom Louver LP	No longer available	530-246A	
		No longer available	SRV530-237A-BK	
13	Junction Box	Standing Pilot	100-250A	Y
		No longer available	100-254A	



No one builds a better fire

Beginning Manufacturing Date: Mar 1998
Ending Manufacturing Date: Feb 2001

IMPORTANT: THIS IS DATED INFORMATION. Parts must be ordered from a dealer or distributor. **Hearth and Home Technologies does not sell directly to consumers.** Provide model number and serial number when requesting service parts from your dealer or distributor.



**Stocked
at Depot**

ITEM	DESCRIPTION	COMMENTS	PART NUMBER	
	Fan Kit		GFK-160A	
	Glass Latch Assembly	Pkg of 2	386-122A/2	Y
	Mineral Wool		050-721	
	Orifice NG (#42A)		060-800	Y
	Orifice LP (#53A)		060-801	Y
	Remote		SMART-STAT-HHT	
	Touch Up Paint		TUPB-12	
Standing Pilot Components				
	Burner Tube		477-301A	Y
	Flex Ball Valve Assembly		SRV302-320	Y
	High Limit Switch		SRV4021-383	Y
	On/Off, Switch		SRV32D0232	Y
	Piezo Ignitor		291-513	Y
	Pilot Assembly NG		4021-736	Y
	Pilot Assembly LP		4021-737	Y
	Pilot Tube		SRV485-301	Y
	Thermocouple		446-511	Y
	Thermopile		2103-512	Y
	Valve NG		060-520	Y
	Valve LP		060-521	Y
	Conversion Kit NG	No longer available	NGK-75TR	
	Conversion Kit LP	No longer available	LPK-75TR	
	Pilot Orifice NG		SRV446-505	Y
	Pilot Orifice LP		SRV446-517	Y
	Regulator NG		SRV060-504	Y
	Regulator LP		SRV060-516	Y
DSI Componenets				
	Ignitor		501-591	Y
	Module	No longer available	501-592	
	Valve NG		492-500	Y
	Valve LP	No longer available	492-501	