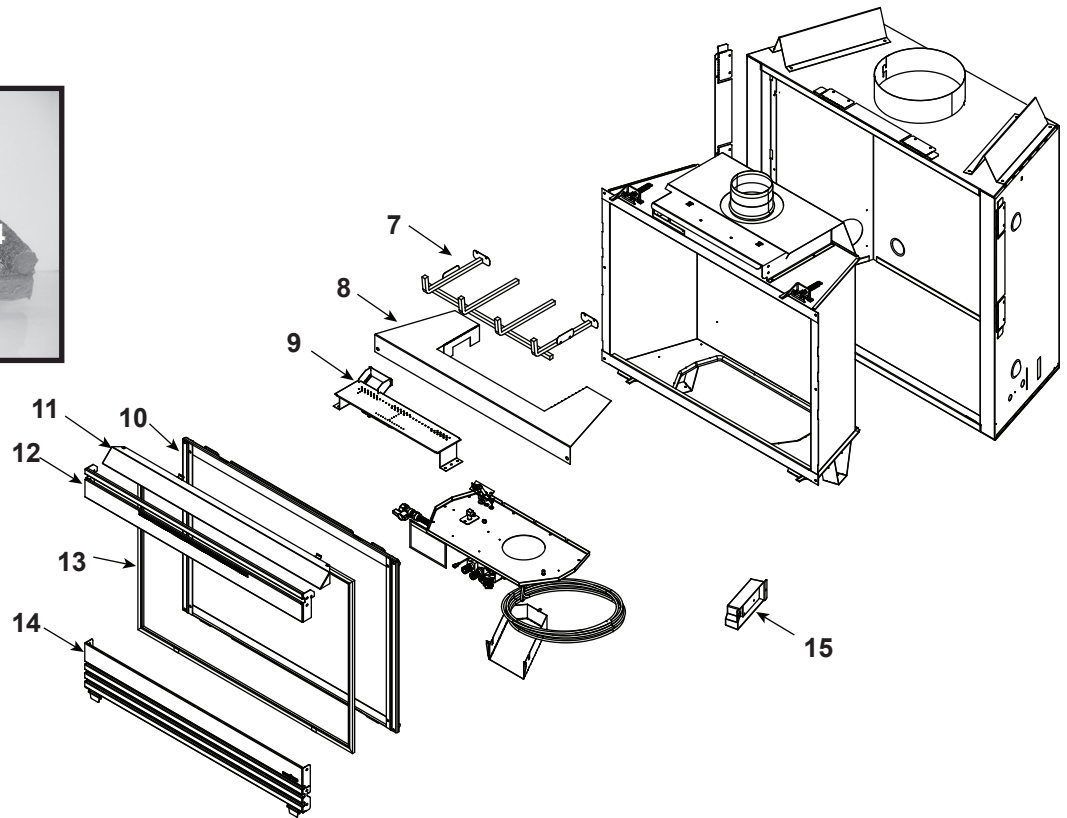
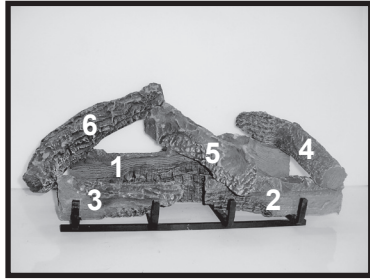


Log Set Assembly



IMPORTANT: THIS IS DATED INFORMATION. Parts must be ordered from a dealer or distributor. **Hearth and Home Technologies does not sell directly to consumers.** Provide model number and serial number when requesting service parts from your dealer or distributor.



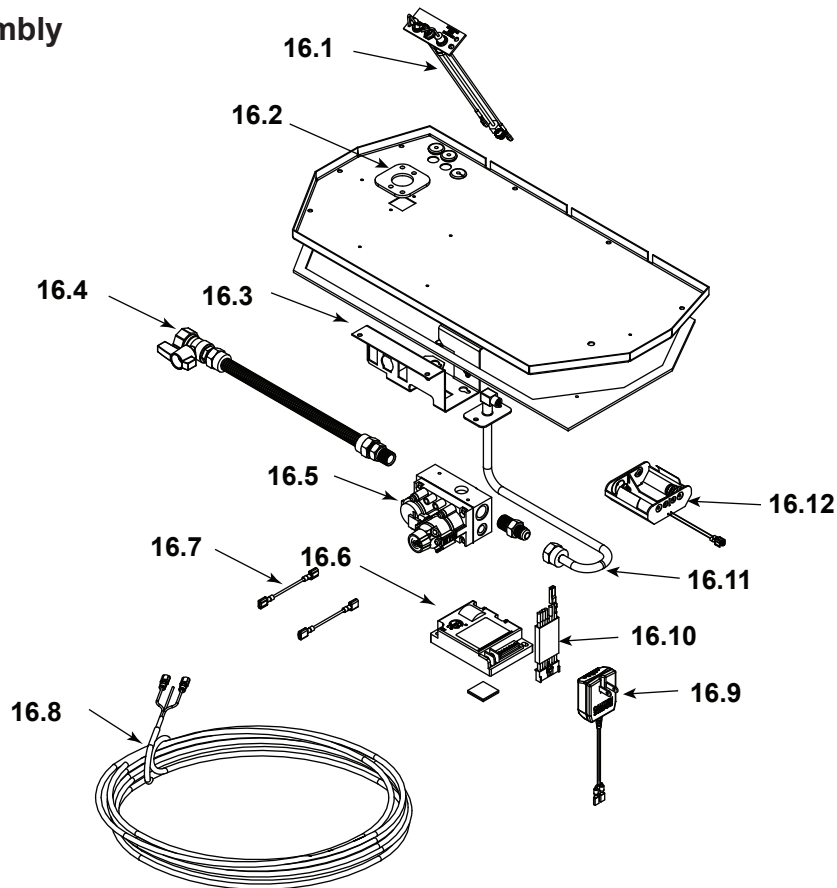
Stocked at Depot

ITEM	COMMON PARTS	COMMENTS	PART NUMBER	
	Log Set Assembly		LOGS-SL750-D	Y
1	Log 1	No longer available, Must order complete assembly	SRV2045-700	
2	Log 2		SRV530-719	
3	Log 3		SRV530-718	
4	Log 4		SRV2045-703	
5	Log 5		SRV2045-702	
6	Log 6		SRV2045-701	
7	Log Grate	No longer available	2045-040	
8	Base Refractory NG, LP	No longer available	2045-108	
9	Burner	Pre 0021073118	530-216A	Y
		Post 0021073118	530-019	Y
10	Glass Door Assembly		GLA-750TR	Y
11	Hood		SRV530-175	
12	Louver, Top	No longer available	530-259A	
13	Mesh Assembly		SRV530-382A	Y
14	Louver, Bottom	No longer available	SRV530-237A-BK	
15	Junction Box		SRV4021-013	Y

No one builds a better fire

Beginning Manufacturing Date: April 2004
Ending Manufacturing Date: June 2007

#16 Valve Assembly



IMPORTANT: THIS IS DATED INFORMATION. Parts must be ordered from a dealer or distributor. **Hearth and Home Technologies does not sell directly to consumers.** Provide model number and serial number when requesting service parts from your dealer or distributor.



**Stocked
at Depot**

ITEM	COMMON PARTS	COMMENTS	PART NUMBER	
16.1	Pilot Assembly NG	PRE 0021076055	SRV4021-730	Y
		Post 0021076055	SRV2090-012	Y
	Pilot Assembly LP	PRE 0021076055	SRV4021-731	Y
		Post 0021076055	2090-013	Y
16.2	Burner Neck Gasket		438-407	
16.3	Valve Bracket	No longer available	2025-101	
16.4	Flex Ball Valve Assembly		SRV302-320	Y
16.5	Valve NG		750-500	Y
	Valve LP		750-501	Y
16.6	Module		SRV593-592	Y
16.7	Jumper Wires		SRV2012-206	Y
16.8	Thermostat Wire Assembly		2045-024	Y
16.9	3 Volt Transformer		SRV593-593	Y
16.10	Module Wire Assembly		SRV593-590	Y
16.11	Flexible Gas Connector		530-302A	Y
16.12	Battery Pack		SRV593-594	Y

Additional service part numbers appear on following page.

No one builds a better fire

Beginning Manufacturing Date: April 2004

Ending Manufacturing Date: June 2007

IMPORTANT: THIS IS DATED INFORMATION. Parts must be ordered from a dealer or distributor. **Hearth and Home Technologies does not sell directly to consumers.** Provide model number and serial number when requesting service parts from your dealer or distributor.



**Stocked
at Depot**

ITEM	COMMON PARTS	COMMENTS	PART NUMBER	
	51" Wire Harness	No longer available	065-577A	
	1/4 Female Spades Wire	No longer available	505-501A	
	Burner Orifice NG (#42C)		582-842	Y
	Burner Orifice LP (#53C)		582-853	Y
	Fan Kit		GFK-160A	
	Glass Latch Assembly	Pkg of 2	386-122A/2	Y
	Ground Strap	No longer available	385-512	
		No longer available	N/A	
	High Limit Switch		SRV4021-383	Y
	Mineral Wool		050-721	
	Pilot Bracket	No longer available	530-164	
		No longer available	N/A	
	Pilot Assembly Support	No longer available	N/A	
		No longer available	N/A	
	Remote		SMART-STAT-HHT	
	Touch Up Paint		TUP-GBK-12	
	Conversion Kit NG		NGK-750IPIC	Y
	Conversion Kit LP	No longer available	LPK-750IPIC	
	Pilot Orifice NG	Pre 0021073118	SRV446-505	Y
		Post 0021073118	SRV593-528	Y
	Pilot Orifice LP	Pre 0021073118	SRV446-517	Y
		Post 0021073118	SRV593-527	Y
	Regulator NG		SRVNGK-DXV	Y
	Regulator LP		SRVLPK-DXV	Y