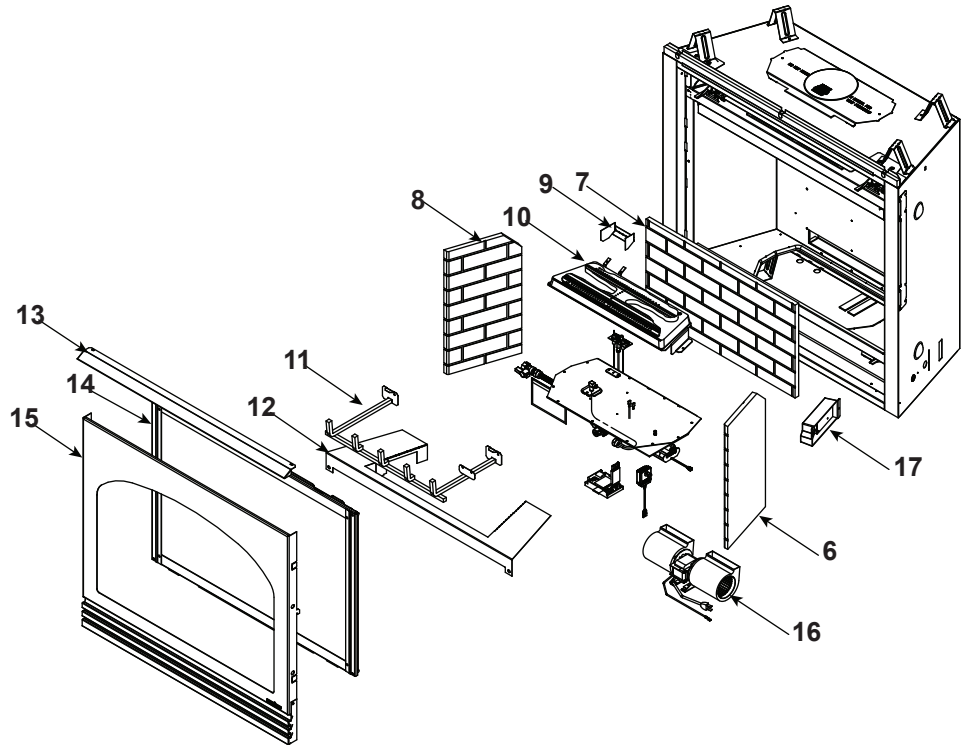
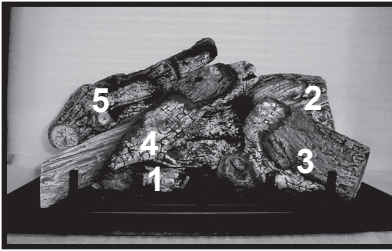


### Log Set Assembly



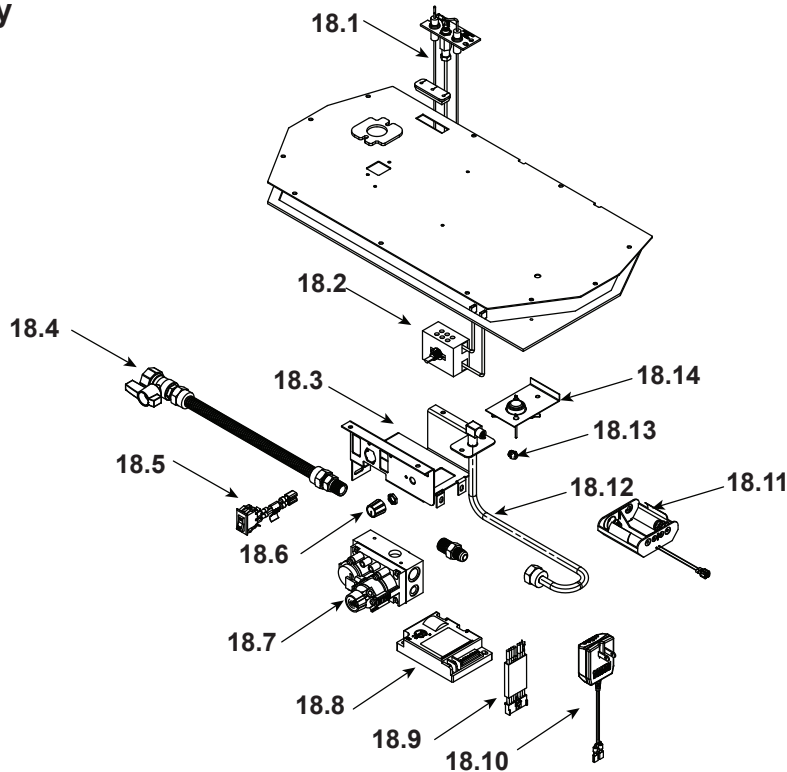
IMPORTANT: THIS IS DATED INFORMATION. Parts must be ordered from a dealer or distributor. **Hearth and Home Technologies does not sell directly to consumers.** Provide model number and serial number when requesting service parts from your dealer or distributor.



**Stocked at Depot**

| ITEM | DESCRIPTION         | CCOMMENTS  | PART NUMBER     |   |
|------|---------------------|--|-----------------|---|
|      | Log Set Assembly    |  | LOGS-750TRS-HD  |   |
| 1    | Log 1               | <b>No longer available, Must order complete assembly</b> | SRV2066-704     |   |
| 2    | Log 2               |  | SRV2066-703     |   |
| 3    | Log 3               |  | SRV2066-702     |   |
| 4    | Log 4               |  | SRV2066-705     |   |
| 5    | Log 5               |  | SRV2065-701     |   |
|      | Refractory Assembly | <b>No longer available</b>                               | BRICK-750TRSFHH |   |
| 6    | Right Rrefractory   | <b>No longer available</b>                               | SRV2156-712     |   |
| 7    | Back Refractory     | <b>No longer available</b>                               | SRV2156-711     |   |
| 8    | Left Refractory     | <b>No longer available</b>                               | SRV2156-710     |   |
| 9    | Pilot Shield        |  | 2066-121        |   |
| 10   | Burner NG           |  | SRV2066-020     | Y |
|      | Burner LP           |  | SRV2066-021     | Y |
| 11   | Grate Assembly      |  | SRV2066-036     |   |
| 12   | Base Pan            |  | 2066-100        |   |
| 13   | Hood                |  | 2118-230        |   |
| 14   | Glass Door Assembly |  | GLA-750TRS      | Y |
| 15   | Door Assembly       |  | DF-750TRSFHH    |   |
| 16   | Fan Kit             |  | GFK-160A        |   |
| 17   | Junction Box        |  | SRV4021-013     | Y |

### #18 Valve Assembly



IMPORTANT: THIS IS DATED INFORMATION. Parts must be ordered from a dealer or distributor. **Hearth and Home Technologies does not sell directly to consumers.** Provide model number and serial number when requesting service parts from your dealer or distributor.



Stocked  
at Depot

| ITEM  | DESCRIPTION              | COMMENTS | PART NUMBER |   |
|-------|--------------------------|----------|-------------|---|
| 18.1  | Pilot Assembly NG        |          | SRV2090-012 | Y |
|       | Pilot Assembly LP        |          | 2090-013    | Y |
|       | Pilot Tube               |          | SRV446-301  | Y |
| 18.2  | Rheostat Assembly        |          | SRV100-510A |   |
| 18.3  | Valve Bracket            |          | 2118-104    |   |
| 18.4  | Flex Ball Valve Assembly |          | SRV302-320  | Y |
| 18.5  | On/Off Rocker Switch     |          | 060-521A    | Y |
| 18.6  | Rheostat Knob            |          | SRV100-512  | Y |
| 18.7  | Valve NG                 |          | 750-500     | Y |
|       | Valve LP                 |          | 750-501     | Y |
| 18.8  | Module                   |          | SRV593-592  | Y |
| 18.9  | Module Wire Assembly     |          | SRV593-590  | Y |
| 18.10 | 3 Volt Transformer       |          | SRV593-593  | Y |
| 18.11 | Battery Pack             |          | SRV593-594  | Y |
| 18.12 | Flexible Gas Connector   |          | 530-302A    | Y |
| 18.13 | Orifice NG (#37)         |          | 582-837     | Y |
|       | Orifice LP (#52)         |          | SRV582-852  | Y |
| 18.14 | High Temp Limit Switch   |          | SRV046-018A | Y |

Additional service part numbers appear on following page.



Service Parts

SL-750TRSFHHIPI

No one builds a better fire

Beginning Manufacturing Date: Oct 2007
Ending Manufacturing Date: June 2009

IMPORTANT: THIS IS DATED INFORMATION. Parts must be ordered from a dealer or distributor. Hearth and Home Technologies does not sell directly to consumers. Provide model number and serial number when requesting service parts from your dealer or distributor.



Stocked at Depot

Table with 5 columns: ITEM, DESCRIPTION, CCOMMENTS, PART NUMBER, Stocked at Depot. Rows include parts like 20" Female Wire Harness, Exhaust Restrictor, Glass Latch Assembly, and Conversion Kits.