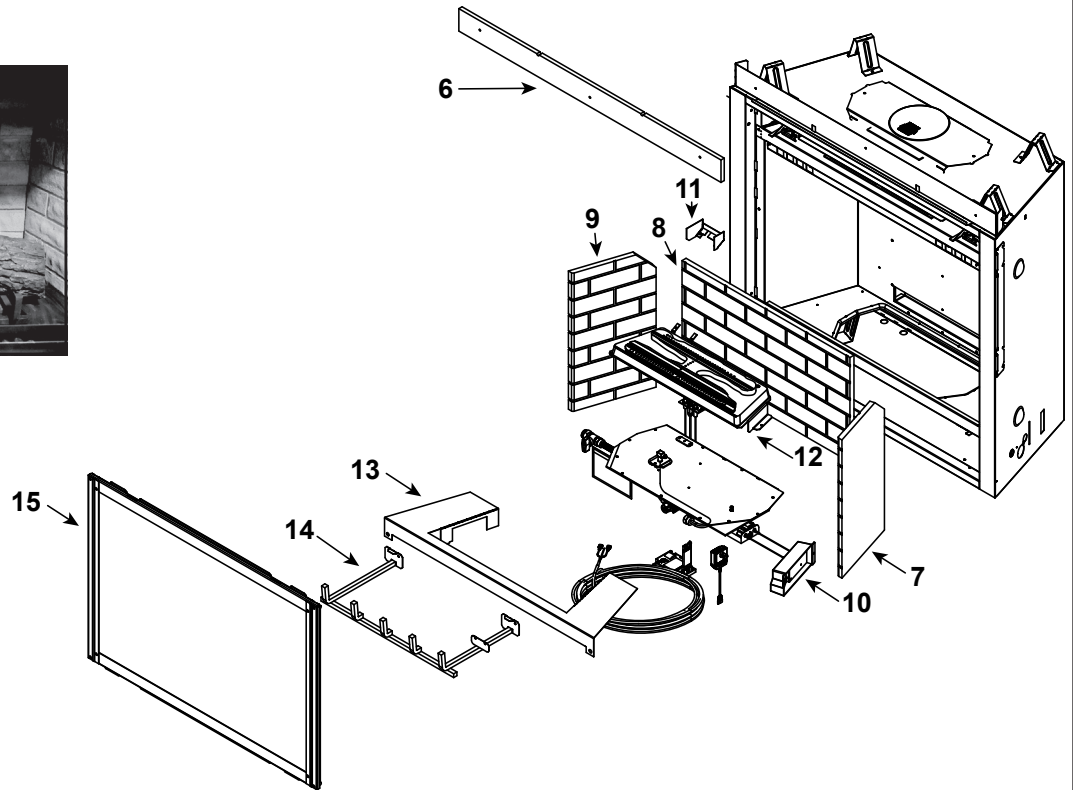
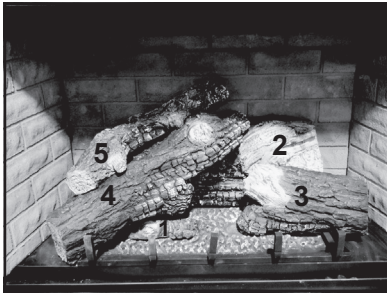


Log Set Assembly



IMPORTANT: THIS IS DATED INFORMATION. Parts must be ordered from a dealer or distributor. **Hearth and Home Technologies does not sell directly to consumers.** Provide model number and serial number when requesting service parts from your dealer or distributor.



Stocked at Depot

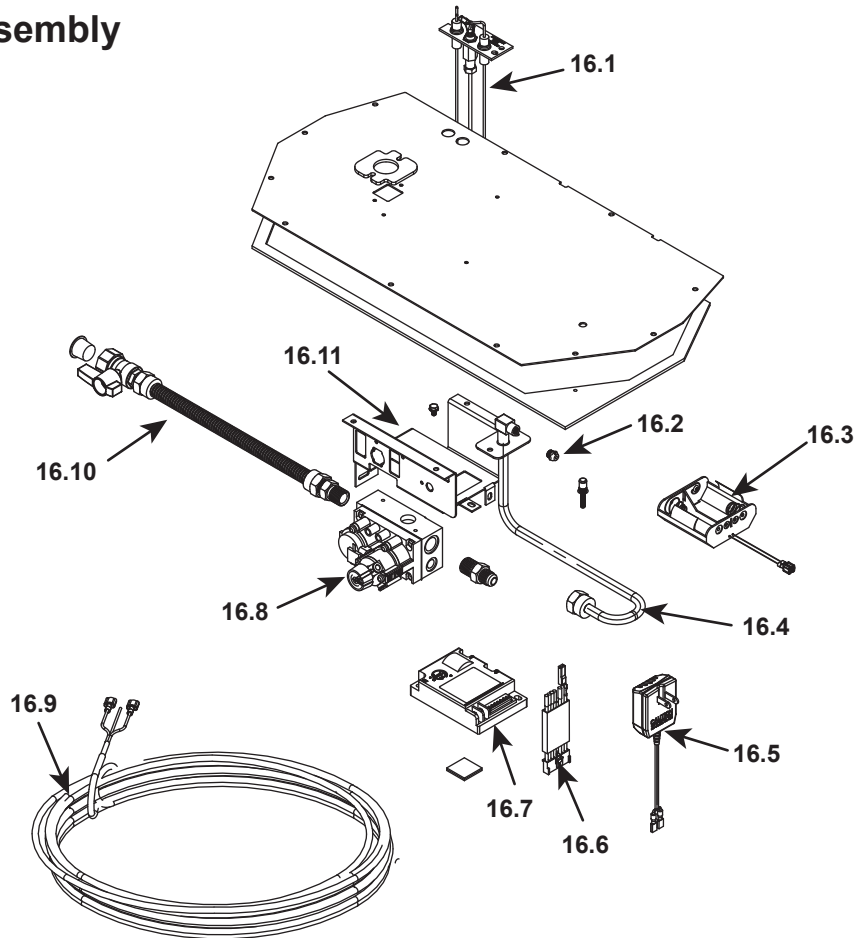
ITEM	DESCRIPTION	COMMENTS	PART NUMBER	
	Log Set Assembly		LOGS-750TRS-HD	Y
1	Log 1	No longer available, Must order complete assembly	SRV2117-701	
2	Log 2		SRV2120-702	
3	Log 3		SRV2120-703	
4	Log 4		SRV2120-704	
5	Log 5		SRV2117-705	
6	Non-combustible Board		2117-401	
	Refractory Kit		BRICK-750TRSD2	
7	Refractory, Right Side		SRV2045-712	
8	Refractory, Back		SRV2045-711	
9	Refractory, Left Side		SRV2045-710	
10	Junction Box		SRV4021-013	Y
11	Pilot Shield		2066-121	
12	Burner NG		SRV2066-020	Y
	Burner LP		SRV2066-021	Y
13	Base Pan		2066-100	
14	Log Grate		SRV2066-036	
15	Glass Door Assembly		GLA-750TRS	Y

No one builds a better fire

Beginning Manufacturing Date: June 2007

Ending Manufacturing Date: June 2016

#16 Valve Assembly



IMPORTANT: THIS IS DATED INFORMATION. Parts must be ordered from a dealer or distributor. **Hearth and Home Technologies does not sell directly to consumers.** Provide model number and serial number when requesting service parts from your dealer or distributor.



**Stocked
at Depot**

ITEM	DESCRIPTION	COMMENTS	PART NUMBER	
16.1	Pilot Assembly NG		SRV2090-012	Y
	Pilot Assembly LP		2090-013	Y
	Pilot Tube		SRV485-301	Y
16.2	Orifice NG (#37C)		582-837	Y
	Orifice LP (#52C)		SRV582-852	Y
16.3	Battery Pack		SRV593-594	Y
16.4	Flex Tube Assembly		530-302A	Y
16.5	3 Volt Transformer		SRV593-593	Y
16.6	Wire Assembly		SRV593-590	Y
16.7	Module		SRV593-592	Y
16.8	Valve NG		750-500	Y
	Valve LP		750-501	Y
16.9	Thermostat Wire Assembly		SRV2118-170	Y
16.10	Flex Ball Valve Assembly		SRV302-320	Y
16.11	Valve Bracket		2118-104	

Additional service part numbers appear on following page.

