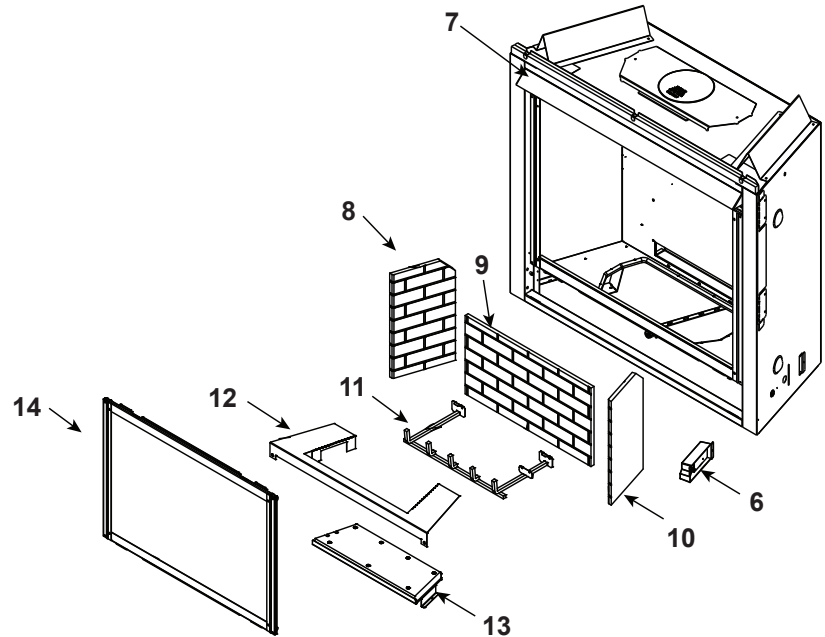


Log Set Assembly



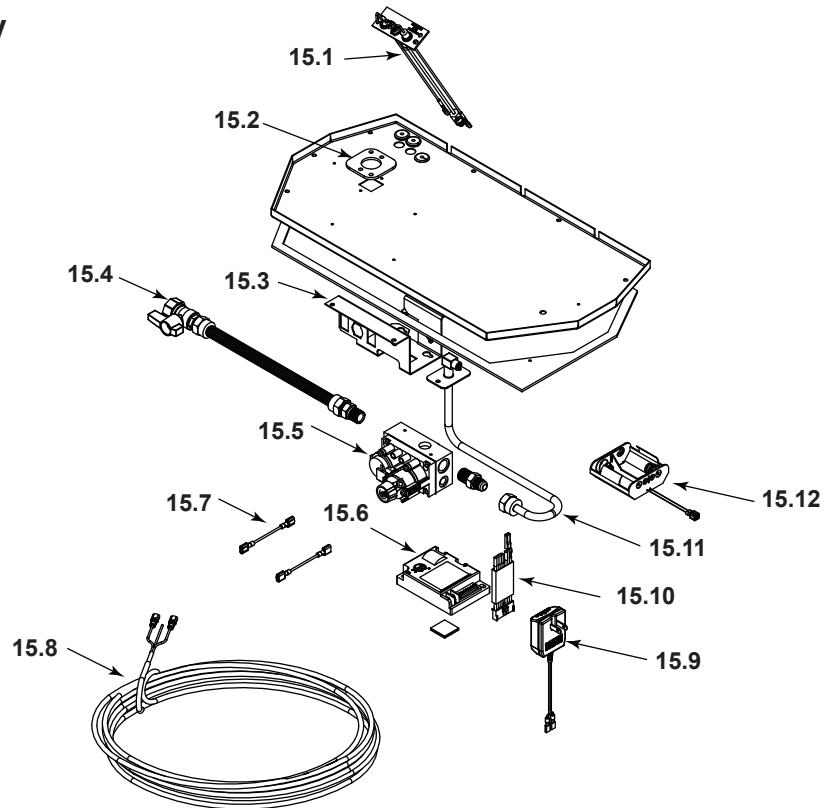
IMPORTANT: THIS IS DATED INFORMATION. Parts must be ordered from a dealer or distributor. **Hearth and Home Technologies does not sell directly to consumers.** Provide model number and serial number when requesting service parts from your dealer or distributor.



Stocked at Depot

ITEM	DESCRIPTION	COMMENTS	PART NUMBER	
	Log Set Assembly		LOGS-750TRS-HD	Y
1	Log 1	No longer available, Must order complete assembly	SRV2117-701	
2	Log 2		SRV2120-702	
3	Log 3		SRV2120-703	
4	Log 4		SRV2120-704	
5	Log 5		SRV2117-705	
6	Junction Box		SRV4021-013	Y
7	Hood		SRV530-175	
	Refractory Kit	No longer available	BRICK-750TRS-D	
8	Refractory, Left Side	No longer available	SRV2045-104	
9	Refractory, Back	No longer available	SRV2045-103	
10	Refractory, Right Side	No longer available	SRV2045-105	
	Refractory, Upper Back	No longer available	SRV2045-106	
	Refractory Kit	Post June 2006	BRICK-750TRSD2	
8	Refractory, Left Side		SRV2045-710	
9	Refractory, Back		SRV2045-711	
10	Refractory, Right Side		SRV2045-712	
11	Log Grate		SRV2066-036	
12	Base Refractory		2066-100	
13	Burner NG		SRV2066-020	Y
	Burner LP		SRV2066-021	Y
14	Glass Door Assembly		GLA-750TRS	Y

#15 Valve Assembly



IMPORTANT: THIS IS DATED INFORMATION. Parts must be ordered from a dealer or distributor. **Hearth and Home Technologies does not sell directly to consumers.** Provide model number and serial number when requesting service parts from your dealer or distributor.



Stocked at Depot

ITEM	COMMON PARTS	COMMENTS	PART NUMBER	
15.1	Pilot Assembly NG	Pre 0021077066	4021-422	Y
		Post 0021077066	SRV2090-012	Y
	Pilot Assembly LP	Pre 0021077066	4021-423	Y
		Post 0021077066	2090-013	Y
15.2	Burner Neck Gasket		438-407	
15.3	Valve Bracket	No longer available	2025-101	
15.4	Flex Ball Valve Assembly		SRV302-320	Y
15.5	Valve NG		750-500	Y
	Valve LP		750-501	Y
15.6	Module		SRV593-592	Y
15.7	Wire Assembly		SRV2012-206	Y
15.8	Thermostat Wire Assembly		2045-024	Y
15.9	3 Volt Transformer		SRV593-593	Y
15.10	Wire Assembly		SRV593-590	Y
15.11	Flexible Gas Connector		530-302A	Y
15.12	Battery Pack		SRV593-594	Y
	Burner Orifice NG (#36C)		582-836	Y
	Burner Orifice LP (#52C)		SRV582-852	Y

Additional service part numbers appear on following page.

