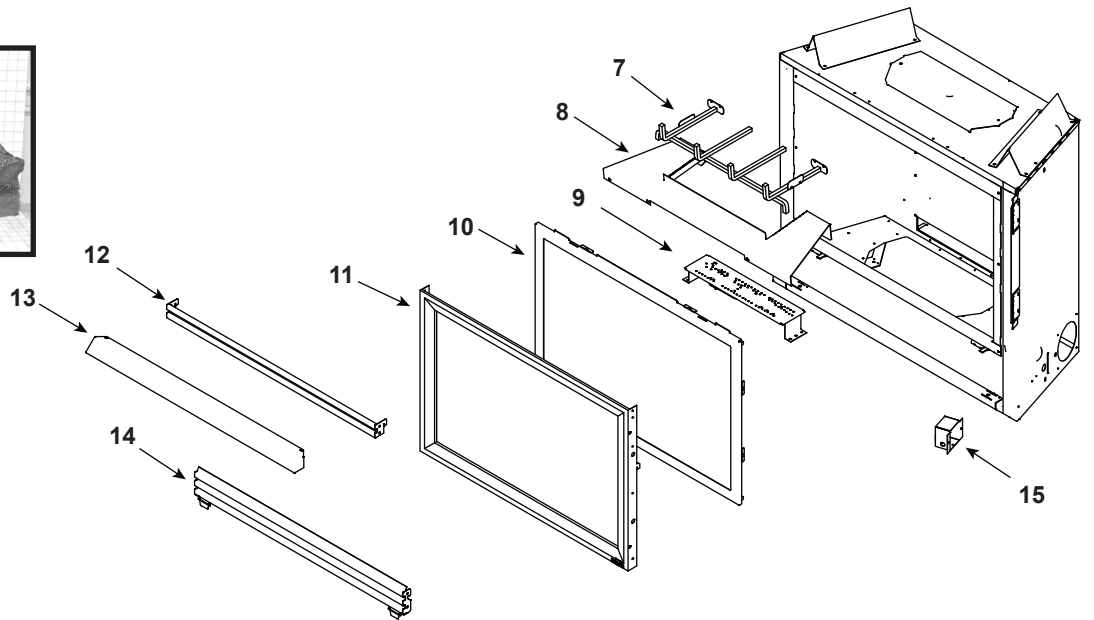
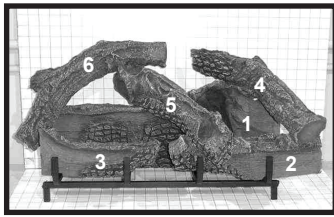


### Log Set Assembly



IMPORTANT: THIS IS DATED INFORMATION. Parts must be ordered from a dealer or distributor. **Hearth and Home Technologies does not sell directly to consumers.** Provide model number and serial number when requesting service parts from your dealer or distributor.



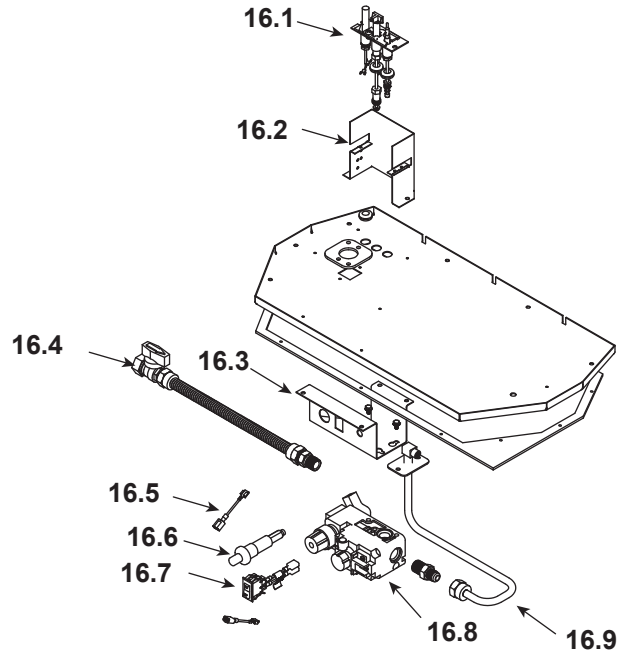
**Stocked at Depot**

| ITEM | DESCRIPTION          | COMMENTS   | PART NUMBER    |   |
|------|----------------------|--|----------------|---|
|      | Log Set Assembly     |  | LOGS-SL750     | Y |
| 1    | Log 1                | <b>No longer available, Must order complete assembly</b> | SRV530-714     |   |
| 2    | Log 2                |  | SRV530-719     |   |
| 3    | Log 3                |  | SRV530-718     |   |
| 4    | Log 4                |  | SRV530-716     |   |
| 5    | Log 5                |  | SRV530-717     |   |
| 6    | Log 6                |  | SRV530-715     |   |
| 7    | Grate Assembly       | <b>No longer available</b>                               | 530-361A       |   |
| 8    | Base Refractory      | <b>No longer available</b>                               | 530-117T       |   |
| 9    | Burner NG            |  | 534-211A       | Y |
|      | Burner LP            |  | 534-215A       | Y |
| 10   | Glass Door Assembly  |  | GLA-750TRS     | Y |
| 11   | Mesh Panel Door      | <b>No longer available</b>                               | 530-140A       |   |
| 12   | Top Louver NG        | <b>No longer available</b>                               | 530-256A       |   |
| 13   | Hood                 |  | SRV530-175     |   |
| 14   | Bottom Louver NG     | <b>No longer available</b>                               | 530-258A       |   |
| 15   | Junction Box         |  | 100-250A       | Y |
|      | Fan Kit              |  | GFK-160A       |   |
|      | Glass Latch Assembly | Pkg of 2   | 386-122A/2     | Y |
|      | Mineral Wool         |  | 050-721        |   |
|      | Remote               |  | SMART-STAT-HHT |   |
|      | Touch Up Paint       |  | TUP-GBK-12     |   |
|      | Vermiculite Embers   |  | MYSTIC-EMBERS  |   |

No one builds a better fire

Beginning Manufacturing Date: Feb 2001  
Ending Manufacturing Date: April 2004

### #16 Valve Assembly



IMPORTANT: THIS IS DATED INFORMATION. Parts must be ordered from a dealer or distributor. **Hearth and Home Technologies does not sell directly to consumers.** Provide model number and serial number when requesting service parts from your dealer or distributor.



**Stocked  
at Depot**

| ITEM | DESCRIPTION              | COMMENTS                   | PART NUMBER  |   |
|------|--------------------------|----------------------------|--------------|---|
| 16.1 | Pilot Assembly NG        |                            | 4021-736     | Y |
|      | Pilot Assembly LP        |                            | 4021-737     | Y |
|      | Pilot Tube               |                            | SRV485-301   | Y |
|      | Thermocouple             |                            | 446-511      | Y |
|      | Thermopile               |                            | 2103-512     | Y |
| 16.2 | Pilot Bracket            | <b>No longer available</b> | 530-164      |   |
| 16.3 | Valve Bracket            | <b>No longer available</b> | 550-169      |   |
| 16.4 | Flex Ball Valve Assembly |                            | SRV302-320   | Y |
| 16.5 | Wire Assembly            | <b>No longer available</b> | 049-552A     |   |
| 16.6 | Piezo Ignitor            |                            | SRV14D0503   | Y |
| 16.7 | On/Off, Switch           |                            | SRV32D0232   | Y |
| 16.8 | Valve NG                 |                            | 060-522      | Y |
|      | Valve LP                 |                            | 060-523      | Y |
| 16.9 | Burner Tube              | Pre 002209930              | 567-301A     | Y |
|      |                          | Post 002209930             | 530-302A     | Y |
|      | Orifice NG (#36C)        |                            | 582-836      | Y |
|      | Orifice LP (#52C)        |                            | SRV582-852   | Y |
|      | Conversion Kit NG        | <b>No longer available</b> | NGK-750TRS-C |   |
|      | Conversion Kit LP        | <b>No longer available</b> | LPK-750TRS-C |   |
|      | Pilot Orifice NG         |                            | SRV446-505   | Y |
|      | Pilot Orifice LP         |                            | SRV446-517   | Y |
|      | Regulator NG             |                            | SRV060-518   | Y |
|      | Regulator LP             |                            | 060-519      | Y |