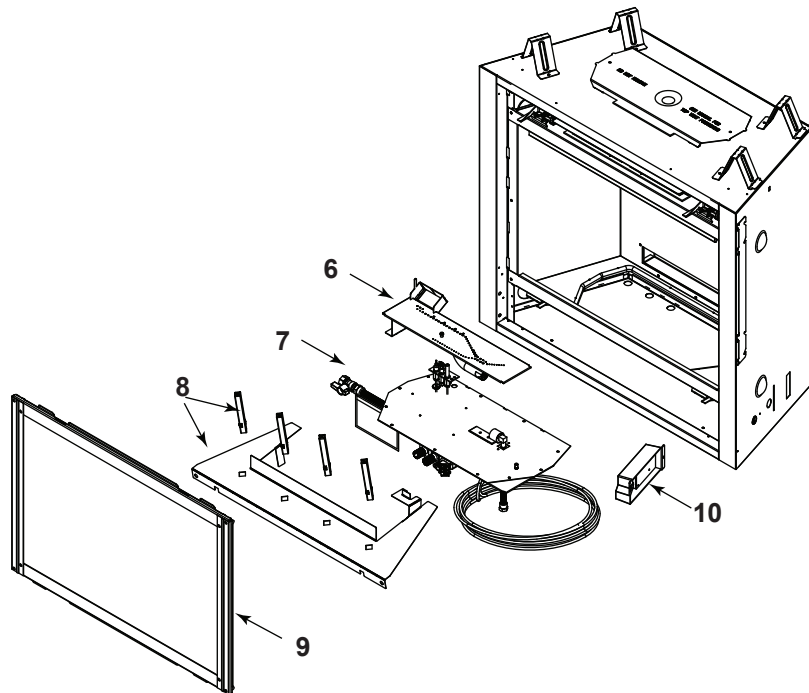


## Log Set Assembly



**IMPORTANT: THIS IS DATED INFORMATION.** Parts must be ordered from a dealer or distributor. **Hearth and Home Technologies does not sell directly to consumers.** Provide model number and serial number when requesting service parts from your dealer or distributor.



**Stocked at Depot**

| ITEM | DESCRIPTION   | COMMENTS   | PART NUMBER                |   |
|------|---|--|----------------------------|---|
|      | Log Set Assembly  |  | LOGS-750-E                 | Y |
| 1    | Log 1   | <b>No longer available, Must order complete assembly</b> | SRV2118-701                |   |
| 2    | Log 2   |  | SRV2118-702                |   |
| 3    | Log 3   |  | SRV2118-703                |   |
| 4    | Log 4   |  | SRV2118-704                |   |
| 5    | Log 5   |  | SRV2118-705                |   |
| 6    | Burner NG, LP   |  | SRV2118-007                | Y |
| 7    | Valve Assembly  |  | <b>Refer to Valve page</b> |   |
| 8    | Grate Assembly  |  | 2118-015                   |   |
| 9    | Glass Door Assembly   |  | GLA-750TR                  | Y |
| 10   | Junction Box  |  | SRV4021-013                | Y |
|      | Exhaust Baffle  |  | 550-155                    |   |
|      | Exhaust Restrictor  |  | 530-299                    |   |
|      | Folio Front   | Black  | FOL-36-BK                  |   |
|      | Gasket Assembly : Contains Burner neck, shutter bracket, vent, seal cap, valve plate, and air passage gaskets |  | 2118-080                   |   |
|      | Glass Latch Assembly  | Pkg of 2   | 33858/2                    | Y |
|      | Lava Rock   |  | 4021-297                   |   |
|      | Mineral Wool  |  | 050-721                    |   |
|      | Touch Up Paint  |  | TUP-GBK-12                 |   |

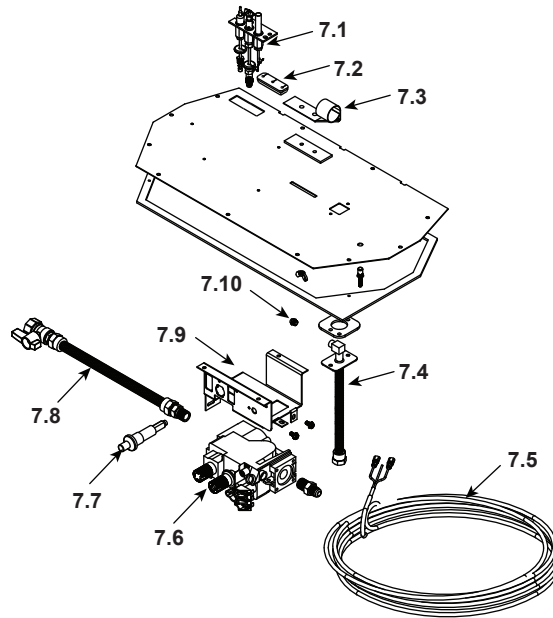
Additional service part numbers appear on following page.

No one builds a better fire

Beginning Manufacturing Date: June 2007

Ending Manufacturing Date: June 2016

### #7 Valve Assembly



IMPORTANT: THIS IS DATED INFORMATION. Parts must be ordered from a dealer or distributor. **Hearth and Home Technologies does not sell directly to consumers.** Provide model number and serial number when requesting service parts from your dealer or distributor.



**Stocked  
at Depot**

| ITEM | DESCRIPTION              | COMMENTS | PART NUMBER  |   |
|------|--------------------------|----------|--------------|---|
| 7.1  | Pilot Assembly NG        |          | 2103-010     | Y |
|      | Pilot Assembly LP        |          | 2103-011     | Y |
|      | Pilot Tube               |          | SRV485-301   | Y |
|      | Thermocouple             |          | 2103-511     | Y |
|      | Thermopile               |          | 2103-512     | Y |
| 7.2  | 3-Hole Grommet           |          | SRV2118-420  |   |
| 7.3  | Shutter Bracket Assembly |          | 2118-121     | Y |
| 7.4  | Flexible Gas Connector   |          | SRV7000-156  | Y |
| 7.5  | Thermostat Wire Assembly |          | 2045-024     | Y |
| 7.6  | Valve NG                 |          | SRV230-0710  | Y |
|      | Valve LP                 |          | SRV230-0720  | Y |
| 7.7  | Piezo Ignitor            |          | SRV14D0503   | Y |
| 7.8  | Flex Ball Valve Assembly |          | SRV302-320   | Y |
| 7.9  | Valve Bracket            |          | 2118-104     |   |
| 7.10 | Orifice NG (#42C)        |          | 582-842      | Y |
|      | Orifice LP (#54C)        |          | SRV582-854   | Y |
|      | Conversion Kit NG        |          | NGKS-750TR-E | Y |
|      | Conversion Kit LP        |          | LPKS-750TR-E | Y |
|      | Pilot Orifice NG         |          | SRV2103-116  | Y |
|      | Pilot Orifice LP         |          | SRV2103-117  | Y |
|      | Regulator NG             |          | SRV230-1570  | Y |
|      | Regulator LP             |          | SRV230-1520  | Y |