

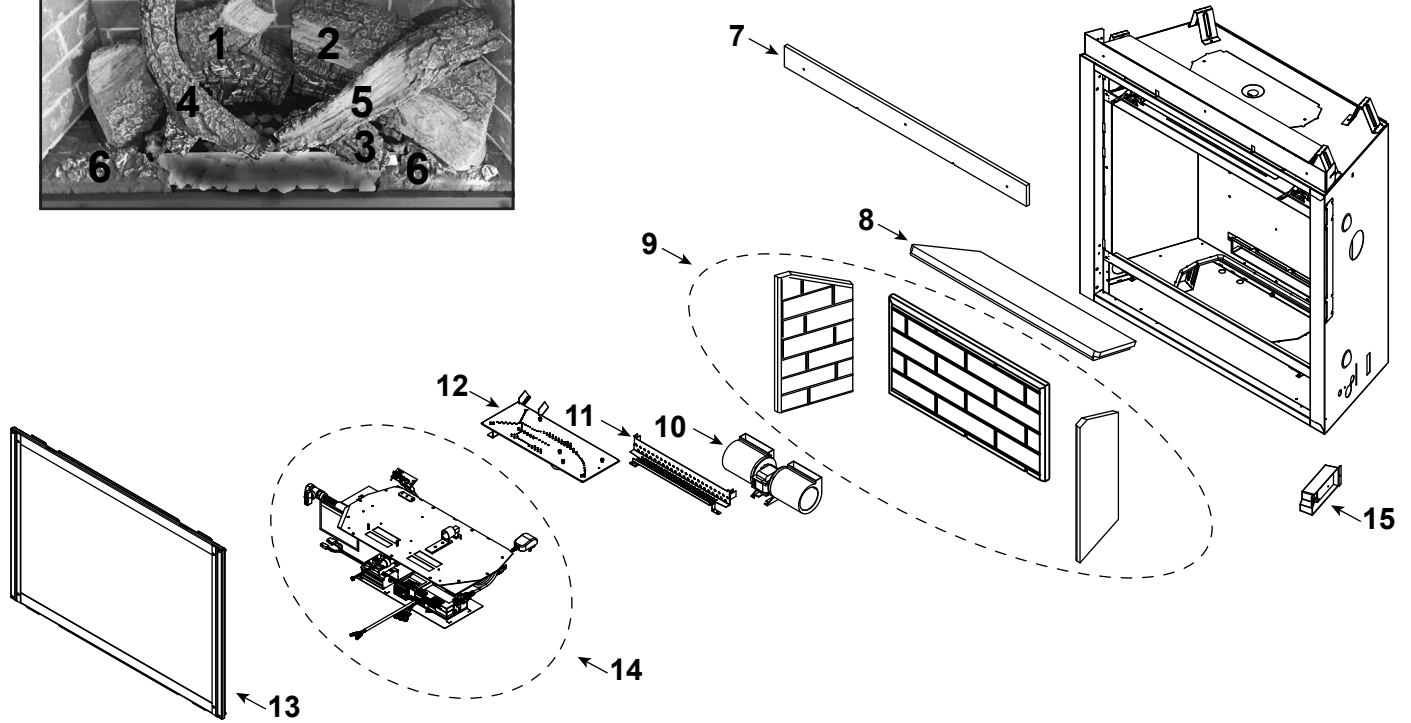
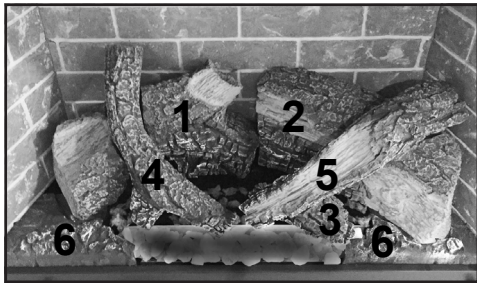
No one builds a better fire

32" Gas Fireplace - DV

Beginning Manufacturing Date: Oct 2017

Ending Manufacturing Date : Jul 2020

### Log Set Assembly



IMPORTANT: THIS IS DATED INFORMATION. Parts must be ordered from a dealer or distributor. **Hearth and Home Technologies does not sell directly to consumers.** Provide model number and serial number when requesting service parts from your dealer or distributor.

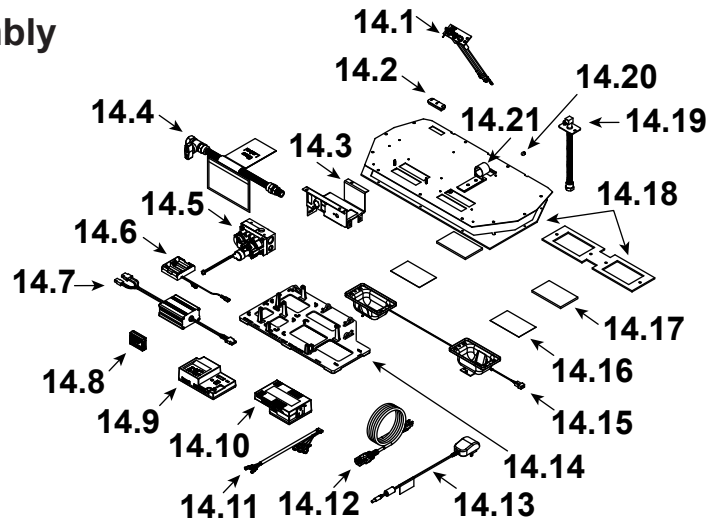


Stocked at Depot

ITEM	DESCRIPTION	COMMENTS	PART NUMBER	Stocked at Depot
	Log Set Assembly	Hearth Sold Separately	<b>LOGS-SL5X-HD</b>	Y
1	Rear Left Log	<b>No longer available, must order complete assembly</b>	SRV2370-707	
2	Rear Right Log		SRV2371-708	
3	Burner Log		SRV2371-709	
4	Top Left Log		SRV2372-711	
5	Top Right Log		SRV2371-710	
6	Left and Right Hearth		SRVHEARTH-SL5X	
7	Non-combustible Board		2115-401	
8	Top Refractory		SRV2371-703	
9	Refractory Assembly		SRV2371-077	
10	Blower		GFK-160A	
11	Ember Bed		2372-108	
12	Burner Assembly		2371-007	Y
13	Glass Door Assembly		GLA-550TRS	Y
14	Valve Assembly		<b>See following Page</b>	
15	Junction Box		SRV4021-013	Y

Additional service part numbers appear on following page.

### #14 Valve Assembly



IMPORTANT: THIS IS DATED INFORMATION. Parts must be ordered from a dealer or distributor. **Hearth and Home Technologies does not sell directly to consumers.** Provide model number and serial number when requesting service parts from your dealer or distributor.



Stocked at Depot

ITEM	DESCRIPTION	COMMENTS	PART NUMBER	
14.1	Pilot Assembly NG		2106-169	Y
	Pilot Assembly Propane		2106-170	Y
	Pilot Tube		SRV485-301	Y
14.2	3-Hole Grommet		SRV2118-420	Y
14.3	Valve Bracket		2118-104	
14.4	Flex Ball Valve Assembly		SRV302-320	Y
	Valve NG		SRV2166-302	Y
	Valve Propane		2166-303	Y
14.6	Battery Pack **		SRV2326-134	Y
14.7	LED Controller		2166-336	Y
14.8	Module, RF FCC		SRV2326-120	Y
14.9	Module, IFT Control		SRV2326-130	Y
14.10	Module, B Type AC		SRV2326-150	Y
14.11	Harness, IFT 6 Pin Wiring		SRV2326-132	Y
14.12	Cable, B Type AC Module		SRV2326-152	Y
14.13	Transformer, 6V Wall		SRV2326-131	Y
14.14	Component Tray, Plastic		2279-180	
14.15	2 Gang Wire Harness		2166-316	Y
14.16	Kapton Lens	Qty 2 req	2166-184	Y
14.17	LED Glass	Qty 2 req	2166-163	Y
14.18	Ember LED Gasket and Valve Plate Gasket	Must order Gasket Assembly 2118-080		
14.19	Bulkhead w/Flex Tube		SRV7000-156	Y
14.20	Orifice NG (#40)		582-840	Y
	Orifice Propane (#53)		582-853	Y
14.21	Air Shutter		2118-121	Y

\*\*Fuse for battery pack can be sourced locally, not a warranty item. Specs are 250v, 3A fuse, 3/4" long

Additional service part numbers appear on following page.

