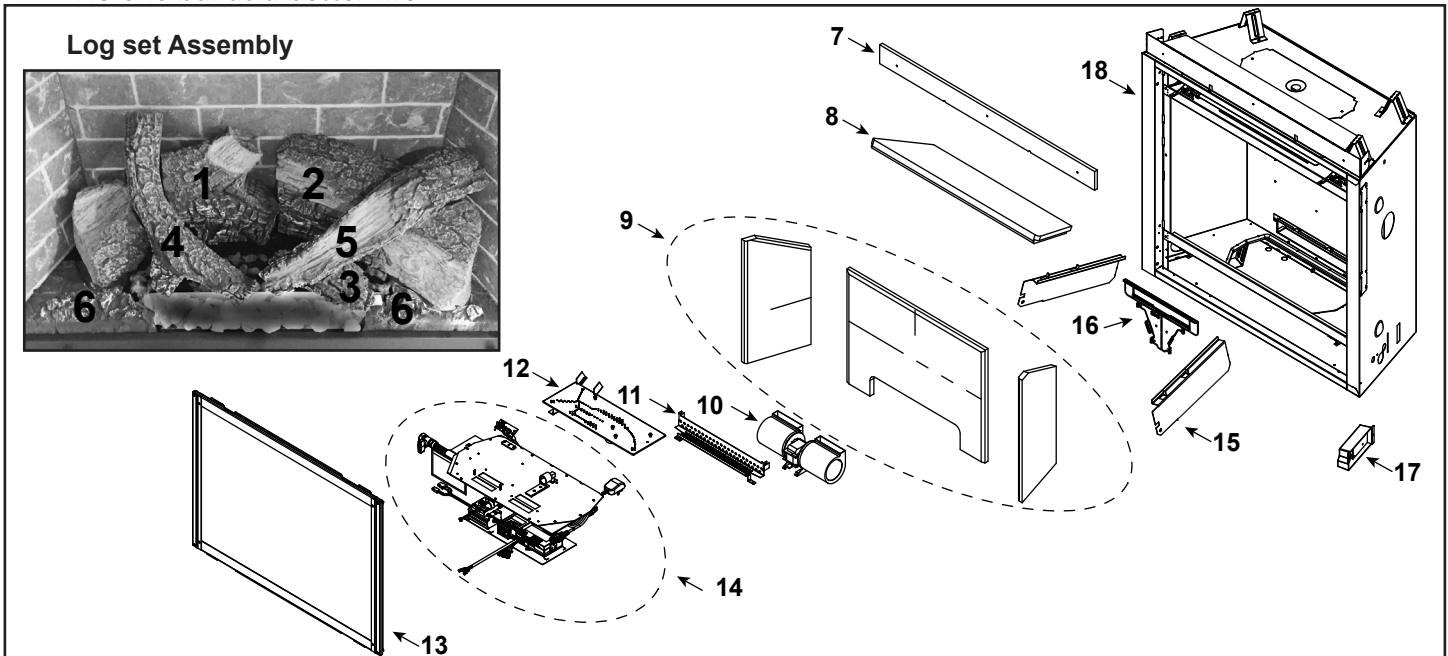


No one builds a better fire



IMPORTANT: THIS IS DATED INFORMATION. Parts must be ordered from a dealer or distributor. **Hearth and Home Technologies does not sell directly to consumers.** Provide model number and serial number when requesting service parts from your dealer or distributor.



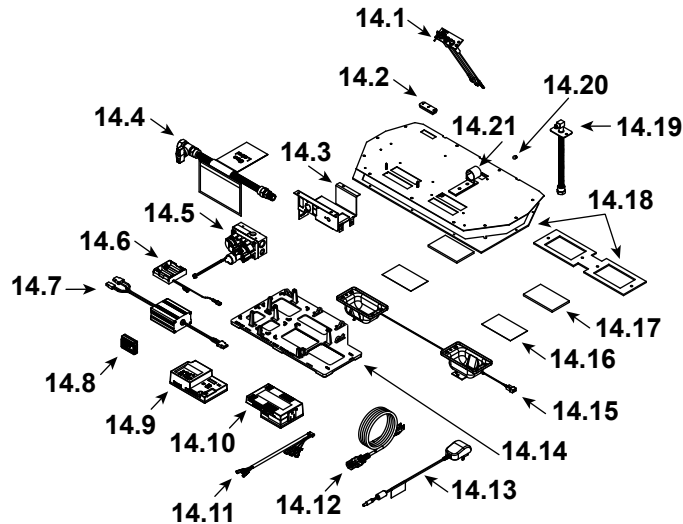
Stocked at Depot

ITEM	DESCRIPTION	COMMENTS	PART NUMBER	Stocked at Depot
	Log Set Assembly	Hearth Sold Separately	LOGS-SL5X-HD	Y
1	Rear Left Log	Individual logs Pre LC6218666 no longer available, must order complete assembly	SRV2371-737	
2	Rear Right Log		SRV2371-738	
3	Burner Log		SRV2371-739	
4	Top Left Log		SRV2372-741	
5	Top Right Log		SRV2371-740	
6	Left and Right Hearth		SRVHEARTH-SL5X	
7	Non-combustible Board		2115-401	
8	Top Refractory	SL-5X-IFT-S	SRV2371-703	
		SL-5X-IFT-TG	SRV2635-703	
		SL-5X-IFT-G	SRV2371-715	
9	Refractory Assembly	SL-5X-IFT-S	SRV2371-077	
		SL-5X-IFT-TG	SRV2635-074	
		SL-5X-IFT-G	SRV2635-080	
10	Blower		GFK-160A	
11	Ember Bed		2372-108	
12	Burner Assembly		2371-007	Y
13	Glass Door Assembly		GLA-550TRS	Y
14	Valve Assembly		See following Page	
15	Lower Glass Brackets (Set, Left and Right)	SL-5X-IFT-G	2637-121	
16	Glass Bracket Assembly (Rear upper, Rear Lower, Upper (2))	SL-5X-IFT-G	SRV2635-123	
17	Junction Box		SRV4021-013	Y
18	Overlay Kit		SRV550-FACE	

Additional service part numbers appear on following page.

No one builds a better fire

#14 Valve Assembly



IMPORTANT: THIS IS DATED INFORMATION. Parts must be ordered from a dealer or distributor. **Hearth and Home Technologies does not sell directly to consumers.** Provide model number and serial number when requesting service parts from your dealer or distributor.



Stocked at Depot

ITEM	DESCRIPTION	COMMENTS	PART NUMBER	
14.1	Pilot Assembly NG		2106-169	Y
	Pilot Assembly Propane		2106-170	Y
	Pilot Tube		SRV485-301	Y
14.2	3-Hole Grommet		SRV2118-420	Y
14.3	Valve Bracket		2118-104	
14.4	Flex Ball Valve Assembly		SRV302-320	Y
14.5	Valve NG		SRV2166-302	Y
	Valve Propane		2166-303	Y
14.6	Battery Pack **		SRV2326-134	Y
14.7	LED Controller		2166-336	Y
14.8	Module, RF FCC		SRV2326-120	Y
14.9	Module, IFT Control		SRV2326-130	Y
14.10	Module, B Type AC		SRV2326-150	Y
14.11	Harness, IFT 6 Pin Wiring		SRV2326-132	Y
14.12	Cable, B Type AC Module		SRV2326-152	Y
14.13	Transformer, 6V Wall		SRV2326-131	Y
14.14	Component Tray, Plastic		2279-180	
14.15	2 Gang Wire Harness		2166-316	Y
14.16	Kapton Lens	Qty 2 req	2166-184	Y
14.17	LED Glass	Qty 2 req	2166-163	Y
14.18	Ember LED Gasket and Valve Plate Gasket	Must order Gasket Assembly 2118-080		
14.19	Bulkhead w/Flex Tube		SRV7000-156	Y
14.20	Orifice NG (#40)		582-840	Y
	Orifice Propane (#53)		582-853	Y
14.21	Air Shutter		2118-121	Y

**Fuse for battery pack can be sourced locally, not a warranty item. Specs are 250v, 3A fuse, 3/4" long

Additional service part numbers appear on following page.

