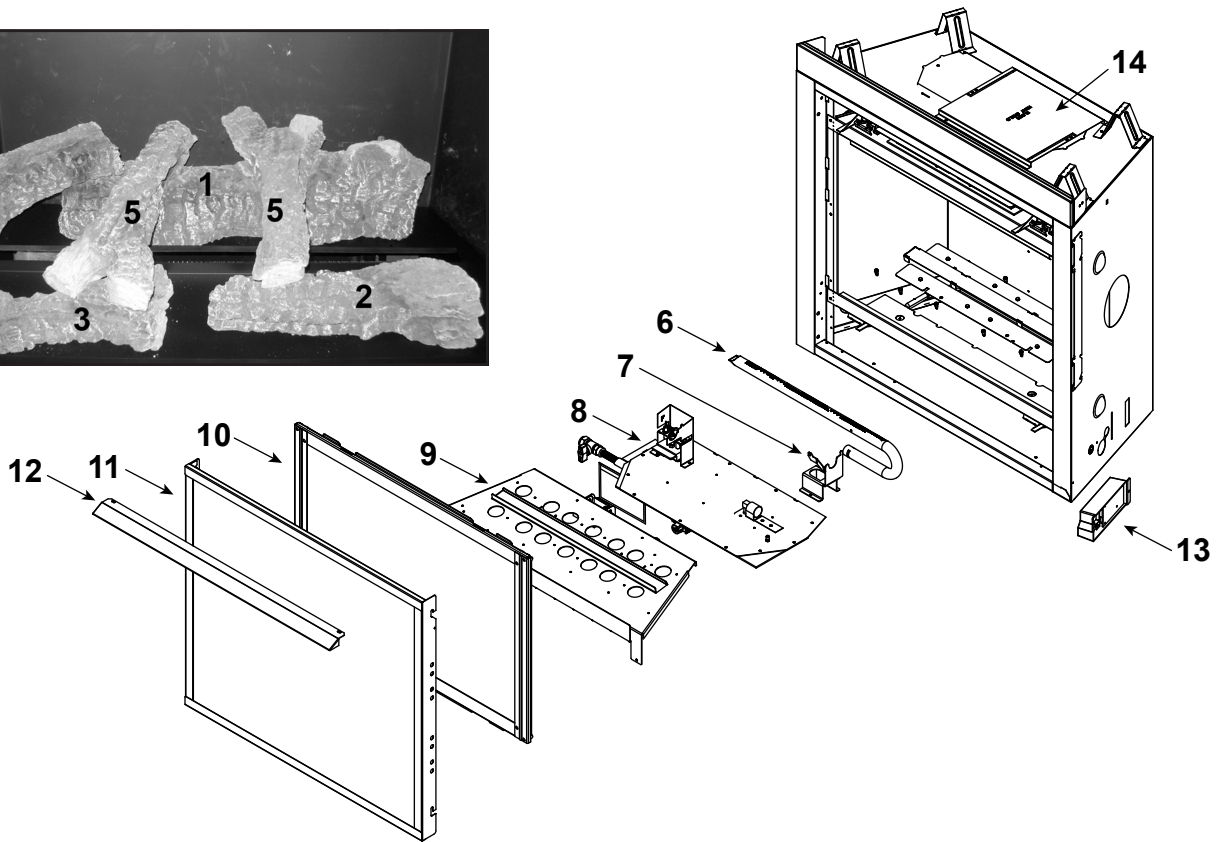


Log Set Assembly



IMPORTANT: THIS IS DATED INFORMATION. Parts must be ordered from a dealer or distributor. **Hearth and Home Technologies does not sell directly to consumers.** Provide model number and serial number when requesting service parts from your dealer or distributor.



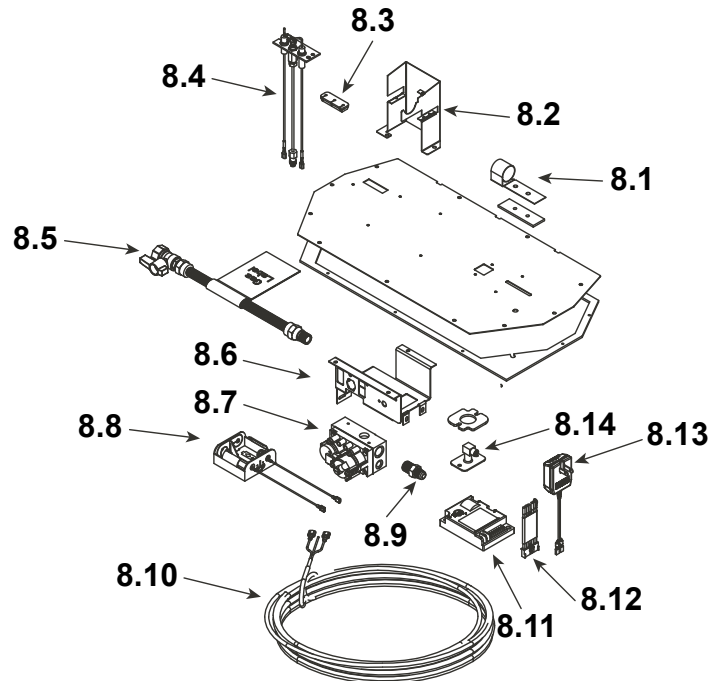
Stocked at Depot

ITEM	DESCRIPTION	COMMENTS	PART NUMBER	Stocked at Depot
	Log Set Assembly		LOGS-550F	Y
1	Log 1		SRV2297-700	
2	Log 2		SRV2033-709	
3	Log 3		SRV2033-708	
4	Log 4		SRV2033-721	
5	Log 5	Qty 2 req	SRV2033-720	
6	Burner NG, LP		2297-105	Y
7	Burner Leg		2297-103	
8	Valve Assembly		See following page	
9	Base Pan		2297-017	
10	Glass Door Assembly		GLA-550TR	Y
11	Firescreen Front		FS-5-BK	
12	Hood		2115-230	
13	Junction Box		SRV4021-013	Y
14	Elbow Heat Shield		385-290	

No one builds a better fire

Beginning Manufacturing Date: Dec 2016
Ending Manufacturing Date: Sept 2020

#8 Valve Assembly



IMPORTANT: THIS IS DATED INFORMATION. Parts must be ordered from a dealer or distributor. **Hearth and Home Technologies does not sell directly to consumers.** Provide model number and serial number when requesting service parts from your dealer or distributor.



Stocked at Depot

ITEM	DESCRIPTION	COMMENTS	PART NUMBER	
8.1	Shutter Bracket Assembly		2118-121	Y
8.2	Pilot Bracket		2297-112	
8.3	3-Hole Grommet		SRV2118-420	
8.4	Pilot Assembly NG		SRV2090-012	Y
	Pilot Assembly LP		2090-013	Y
	Pilot Tube		SRV485-301	Y
8.5	Flex Ball Valve Assembly		SRV302-320	Y
8.6	Valve Bracket		2118-104	
8.7	Valve NG		750-500	Y
	Valve LP		750-501	Y
8.8	Battery Pack		SRV593-594	Y
8.9	Male Connector	Pkg of 5	303-315/5	Y
8.10	Thermostat Wire Assembly		SRV2118-170	Y
8.11	Module		SRV593-592	Y
8.12	Module Wire Assembly		SRV593-590	Y
8.13	3 Volt Transformer		SRV593-593	Y
8.14	Flexible Gas Connector		SRV7000-156	Y
	Male-Male 2" Jumper Wires		SRV2012-206	Y
	Orifice NG (#45)		SRV582-845	Y
	Orifice LP (1.25 mm)		582-8125	Y

Additional service part numbers appear on following page.

