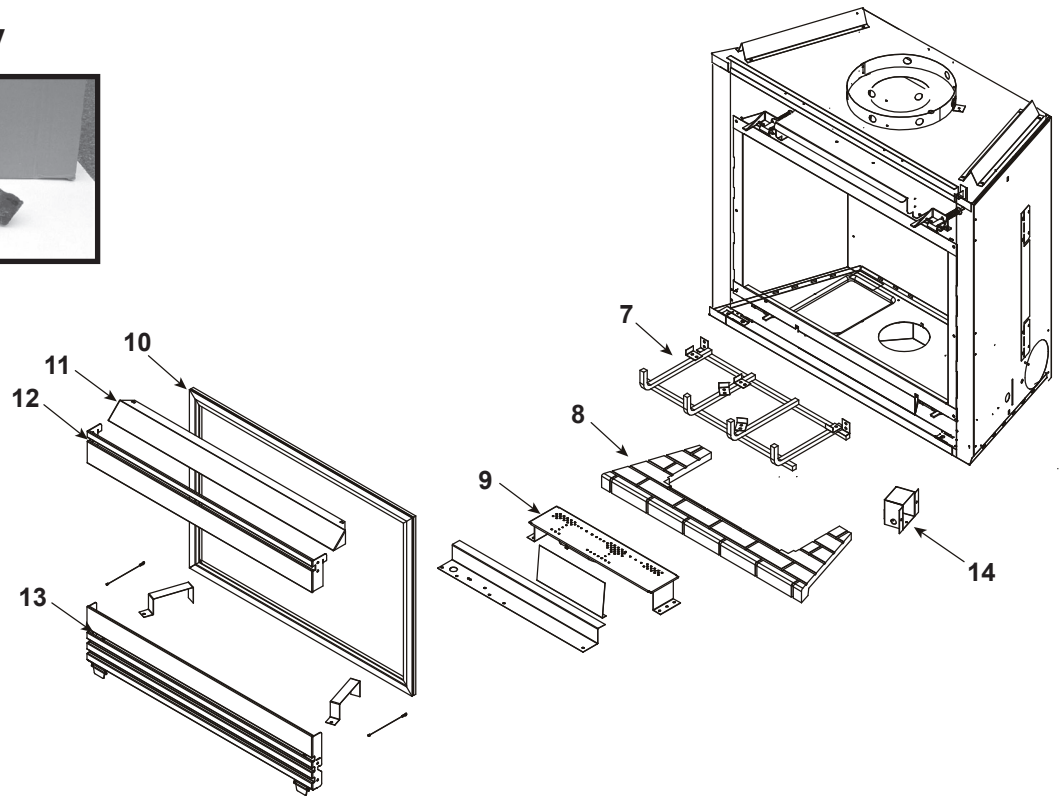
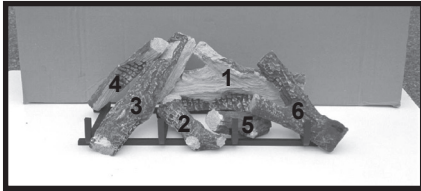


Log Set Assembly



IMPORTANT: THIS IS DATED INFORMATION. Parts must be ordered from a dealer or distributor. **Hearth and Home Technologies does not sell directly to consumers.** Provide model number and serial number when requesting service parts from your dealer or distributor.



Stocked at Depot

ITEM	DESCRIPTION	COMMENTS	PART NUMBER	
	Log Set Assembly		LOGS-550S	Y
1	Log 1	No longer available, Must order complete assembly	SRV530-701	
2	Log 2		SRV530-704	
3	Log 3		SRV530-702	
4	Log 4		SRV530-703	
5	Log 5		SRV530-705	
6	Log 6		SRV569-707	
7	Log Grate	No longer available	550-360A	
8	Base Refractory NG	No longer available	2044-145	
9	Burner NG, LP		530-131A	Y
10	Glass Door Assembly	No longer available	GLA-550TV	
11	Hood	No longer available	SRV550-175	
12	Louver, Top	No longer available	550-252A	
13	Louver, Bottom NG	No longer available	551-246A	
	Louver, Bottom LP	No longer available	551-246A	
14	Junction Box	Standing Pilot	100-250A	Y
		No longer available	100-254A	



Service Parts

SL-550TV & SL-550TV-DSI

No one builds a better fire

Beginning Manufacturing Date: Mar 1998

Ending Manufacturing Date: Mar 2001

IMPORTANT: THIS IS DATED INFORMATION. Parts must be ordered from a dealer or distributor. **Hearth and Home Technologies does not sell directly to consumers.** Provide model number and serial number when requesting service parts from your dealer or distributor.



Stocked at Depot

ITEM	DESCRIPTION	COMMENTS	PART NUMBER	
	Fan Kit		GFK-160A	
	Remote		SMART-STAT-HHT	
	Touch Up Paint		TUPB-12	
STANDING PILOT IGNITION ONLY				
	Burner Orifice LP (#54A)	No longer available	061-801	
	Burner Orifice NG (#44A)	No longer available	041-800	
	Burner Tube		477-301A	Y
	High Temp Limit Switch		SRV4021-383	Y
	ON/OFF, Switch		SRV32D0232	Y
	Piezo Ignitor		291-513	Y
	Pilot Assembly NG		4021-736	Y
	Pilot Assembly LP		4021-737	Y
	Pilot Tube		SRV485-301	Y
	Thermocouple		446-511	Y
	Thermopile		2103-512	Y
	Valve LP		060-521	Y
	Valve NG		060-520	Y
	Conversion Kit NG	No longer available	NGK-55TR	
	Conversion Kit LP	No longer available	LPK-55TR	
	Pilot Orifice NG		SRV446-505	Y
	Pilot Orifice LP		SRV446-517	Y
	Regulator NG		SRV060-504	Y
	Regulator LP		SRV060-516	Y
DSI IGNITION ONLY				
	DSI Valve NG		492-500	Y
	DSI Valve LP	No longer available	492-501	
	Ignitor		501-591	Y
	Module	No longer available	501-592	