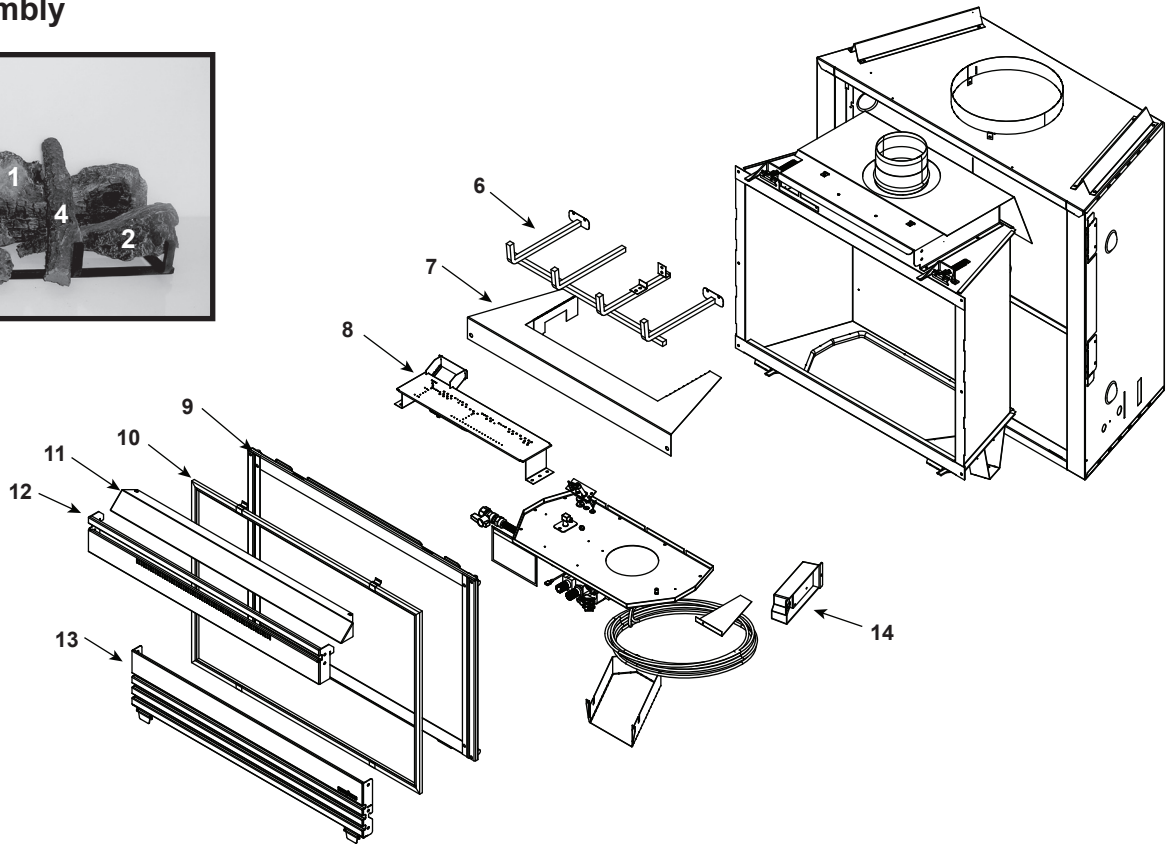
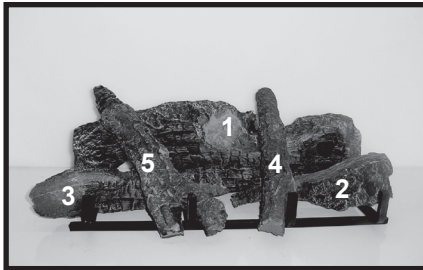


Log Set Assembly



IMPORTANT: THIS IS DATED INFORMATION. Parts must be ordered from a dealer or distributor. **Hearth and Home Technologies does not sell directly to consumers.** Provide model number and serial number when requesting service parts from your dealer or distributor.



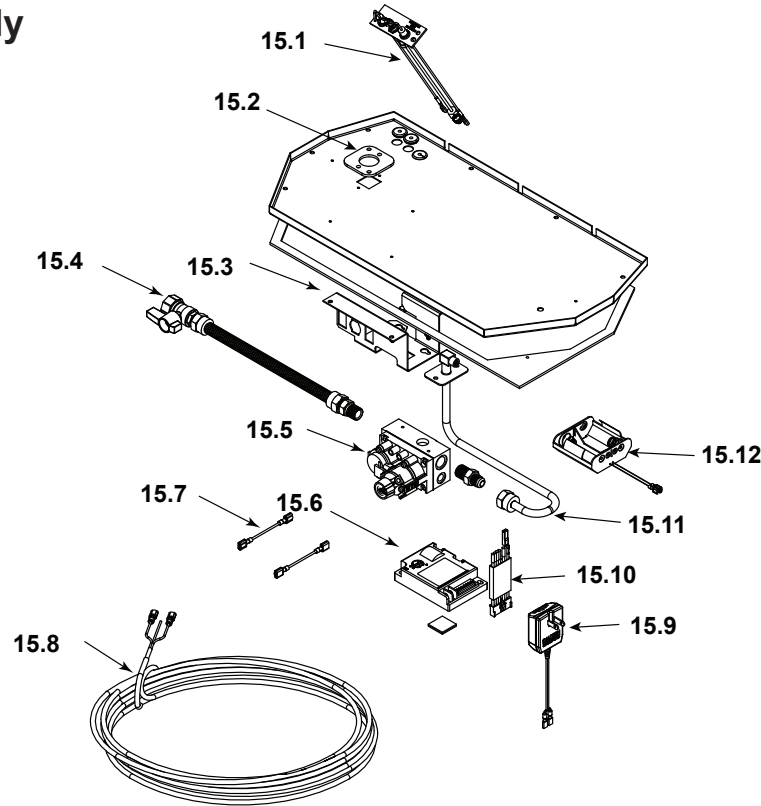
Stocked at Depot

ITEM	DESCRIPTION	COMMENTS	PART NUMBER	
	Log Set Assembly		LOGS-SL550-D	Y
1	Log 1 (combined logs)	No longer available, Must order complete assembly	SRV2044-700	
2	Log 2		SRV550-717	
3	Log 3		SRV2044-703	
4	Log 4		SRV2044-701	
5	Log 5		SRV2044-702	
6	Log Grate	No longer available	2044-040	
7	Base Refractory NG, LP	No longer available	2044-145	
8	Burner NG, LP	Pre 0021076055	530-206A	Y
		Post 0021076055	530-018	Y
9	Glass Door Assembly		GLA-550TR	Y
10	Mesh Assembly		550-382A	Y
11	Hood	No longer available	SRV550-175	
12	Louver, Top	No longer available	550-259A	
13	Louver, Bottom	No longer available	550-248A	
14	Junction Box		SRV4021-013	Y

No one builds a better fire

Beginning Manufacturing Date: April 2004
Ending Manufacturing Date: June 2007

#15 Valve Assembly



IMPORTANT: THIS IS DATED INFORMATION. Parts must be ordered from a dealer or distributor. **Hearth and Home Technologies does not sell directly to consumers.** Provide model number and serial number when requesting service parts from your dealer or distributor.



**Stocked
at Depot**

ITEM	DESCRIPTION	COMMENTS	PART NUMBER	
15.1	Pilot Assembly NG	Pre 0021076055	SRV4021-730	Y
		Post 0021076055	SRV2090-012	Y
	Pilot Assembly LP	Pre 0021076055	SRV4021-731	Y
		Post 0021076055	2090-013	Y
15.2	Burner Neck Gasket		438-407	
15.3	Valve Bracket	No longer available	2025-101	
15.4	Flex Ball Valve Assembly		SRV302-320	Y
15.5	Valve NG		750-500	Y
	Valve LP		750-501	Y
15.6	Module		SRV593-592	Y
15.7	Jumper Wires		SRV2012-206	Y
15.8	Thermostat Wire Assembly		2045-024	Y
15.9	3 Volt Transformer		SRV593-593	Y
15.10	Module Wire Assembly		SRV593-590	Y
15.11	Flexible Gas Connector		530-302A	Y
15.12	Battery Pack		SRV593-594	Y

Additional service part numbers appear on following page.



No one builds a better fire

Beginning Manufacturing Date: April 2004
Ending Manufacturing Date: June 2007

IMPORTANT: THIS IS DATED INFORMATION. Parts must be ordered from a dealer or distributor. **Hearth and Home Technologies does not sell directly to consumers.** Provide model number and serial number when requesting service parts from your dealer or distributor.



**Stocked
at Depot**

ITEM	DESCRIPTION	COMMENTS	PART NUMBER	
	1/4 Female Spades Wire	No longer available	505-501A	
	5" Wire Harness	No longer available	065-577A	
	Burner Orifice NG (#44C)		582-844	Y
	Burner Orifice LP (#54C)		SRV582-854	Y
	Fan Kit		GFK-160A	
	Glass Latch Assembly	Pkg of 2	386-122A/2	Y
	Ground Strap	No longer available	385-512	
		No longer available	N/A	
	High Limit Switch		SRV4021-383	Y
	Mineral Wool		050-721	
	Pilot Bracket	No longer available	530-164	
		No longer available	N/A	
	Pilot Assembly Support	No longer available	397-121	
		No longer available	N/A	
	Remote		SMART-STAT-HHT	
	Touch Up Paint		TUP-GBK-12	
	Conversion Kit NG	No longer available	NGK-550IPIC	
	Conversion Kit LP	No longer available	LPK-550IPIC	
	Pilot Orifice NG	Pre 0021076055	SRV446-505	Y
		Post 0021076055	SRV593-528	Y
	Pilot Orifice LP	Pre 0021076055	SRV446-517	Y
		Post 0021076055	SRV593-527	Y
	Regulator NG		SRVNGK-DXV	Y
	Regulator LP		SRVLPK-DXV	Y