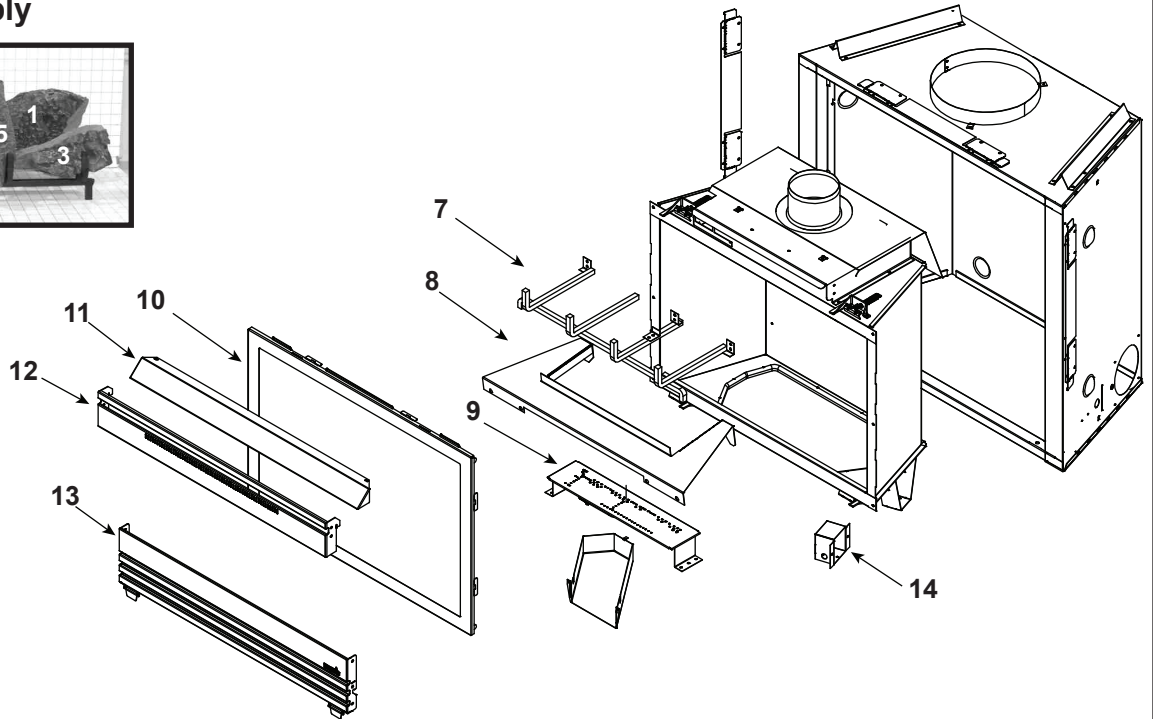
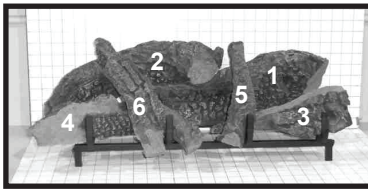


Log Set Assembly



IMPORTANT: THIS IS DATED INFORMATION. Parts must be ordered from a dealer or distributor. **Hearth and Home Technologies does not sell directly to consumers.** Provide model number and serial number when requesting service parts from your dealer or distributor.



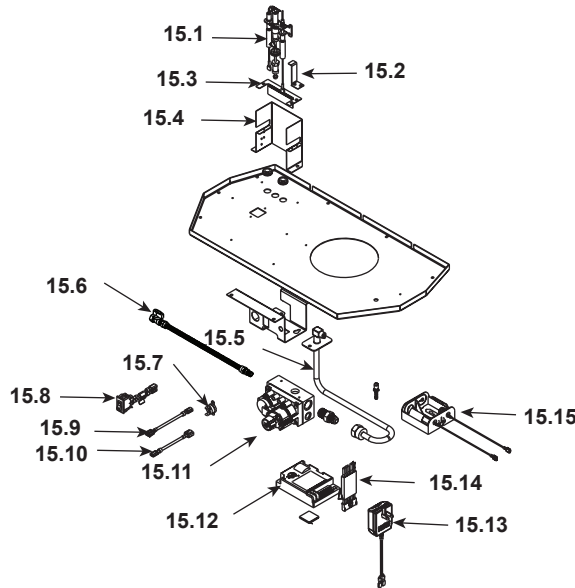
Stocked at Depot

ITEM	DESCRIPTION	COMMENTS	PART NUMBER	
	Log Set Assembly		LOGS-SL550	Y
1	Log 1	No longer available, Must order complete assembly	SRV550-715	
2	Log 2		SRV550-714	
3	Log 3		SRV550-717	
4	Log 4		SRV550-716	
5	Log 5		SRV550-718	
6	Log 6		SRV438-724	
7	Grate Assembly	No longer available	550-361A	
8	Base Refractory	No longer available	SRV550-117	
9	Burner NG, LP		530-206A	Y
10	Glass Door Assembly		GLA-550TR	Y
11	Hood	No longer available	SRV550-175	
12	Top Louver	No longer available	550-259A	
13	Bottom Louver	No longer available	551-248A	
14	Junction Box		383-250A	Y
	Fan Kit		GFK-160A	
	Glass Latch Assembly	Pkg of 2	386-122A/2	Y
	Mesh Assembly		550-382A	Y
	Remote		SMART-STAT-HHT	
	Touch Up Paint		TUP-GBK-12	

No one builds a better fire

Beginning Manufacturing Date: Mar 2002
Ending Manufacturing Date: May 2005

#15 Valve Assembly



IMPORTANT: THIS IS DATED INFORMATION. Parts must be ordered from a dealer or distributor. **Hearth and Home Technologies does not sell directly to consumers.** Provide model number and serial number when requesting service parts from your dealer or distributor.



**Stocked
at Depot**

ITEM	DESCRIPTION	COMMENTS	PART NUMBER	
15.1	Pilot Assembly NG		SRV4021-730	Y
	Pilot Assembly LP		SRV4021-731	Y
15.2	Ground Strap	No longer available	385-512	
15.3	Pilot Support Bracket	No longer available	397-121	
15.4	Pilot Bracket	No longer available	530-164	
15.5	Flex Tube Assembly		530-302A	Y
15.6	Flex Ball Valve Assembly		SRV302-320	Y
15.7	High Temp Limit Switch		SRV4021-383	Y
15.8	On/ Off Rocker Switch		060-521A	Y
15.9	Wire Assembly	No longer available	505-501A	
15.10	51 in Wire Harness	No longer available	065-577A	
15.11	Valve NG		750-500	Y
	Valve LP		750-501	Y
15.12	Module		SRV593-592	Y
15.13	3 Volt Transformer		SRV593-593	Y
15.15	Module Wire Assembly		SRV593-590	Y
15.16	Battery Pack		SRV593-594	Y
	Orifice NG (#44C)		582-844	Y
	Orifice LP (#54C)		SRV582-854	Y
	Conversion Kit NG	No longer available	NGK-550IPIC	
	Conversion Kit LP	No longer available	LPK-550IPIC	
	Pilot Orifice NG		SRV446-505	Y
	Pilot Orifice LP		SRV446-517	Y
	Regulator NG		SRVNGK-DXV	Y
	Regulator LP		SRVLPK-DXV	Y