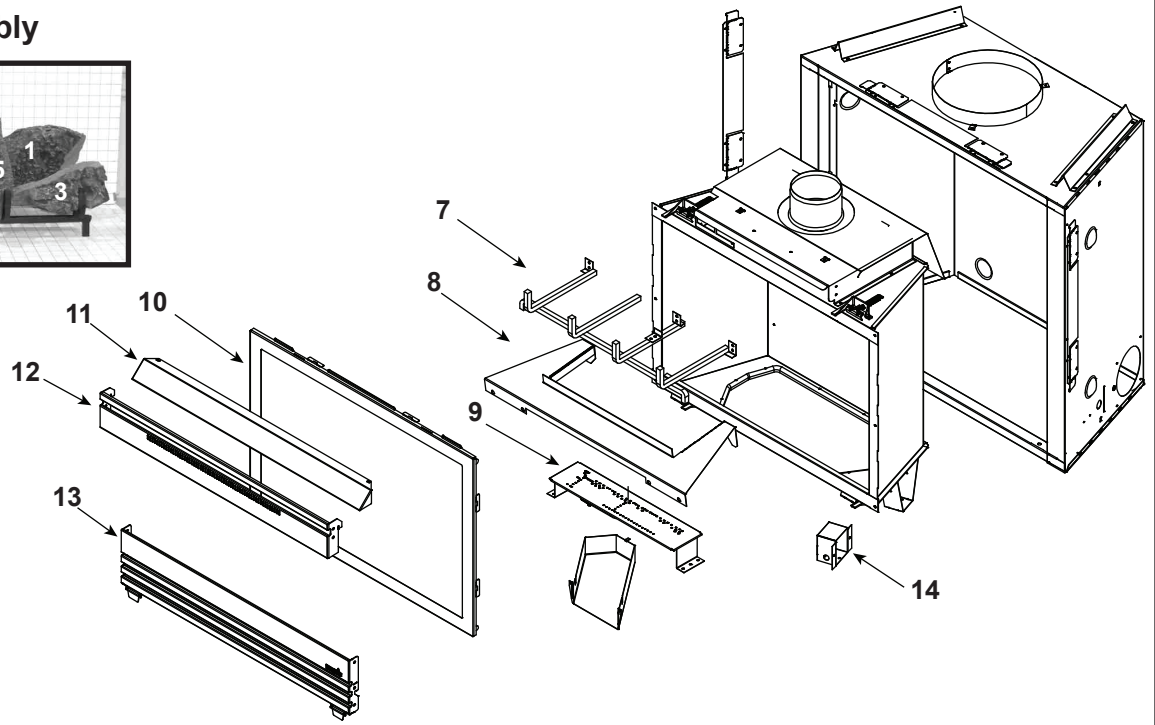
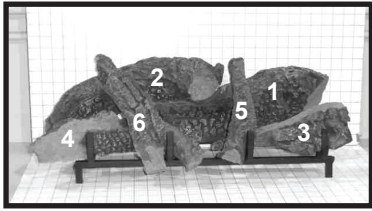


### Log Set Assembly



IMPORTANT: THIS IS DATED INFORMATION. Parts must be ordered from a dealer or distributor. **Hearth and Home Technologies does not sell directly to consumers.** Provide model number and serial number when requesting service parts from your dealer or distributor.



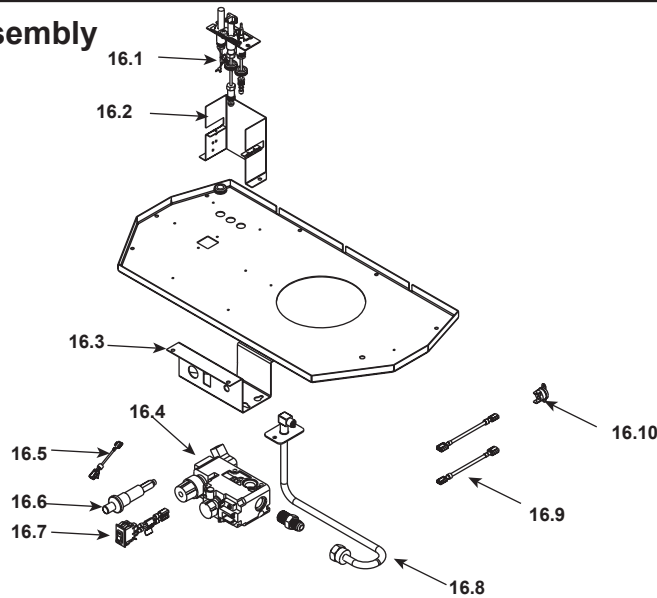
**Stocked at Depot**

ITEM	DESCRIPTION	COMMENTS	PART NUMBER	
	Log Set Assembly		LOGS-SL550	Y
1	Log 1	<b>No longer available, Must order complete assembly</b>	SRV550-715	
2	Log 2		SRV550-714	
3	Log 3		SRV550-717	
4	Log 4		SRV550-716	
5	Log 5		SRV550-718	
6	Log 6		SRV438-724	
7	Grate Assembly	No longer available	550-361A	
8	Base Refractory	No longer available	SRV550-117	
9	Burner NG, LP		530-206A	Y
10	Glass Door Assembly		GLA-550TR	Y
11	Hood	No longer available	SRV550-175	
12	Top Louver	No longer available	550-259A	
13	Bottom Louver	No longer available	551-248A	
14	Junction Box	Standing Pilot	100-250A	Y
		No longer available	100-254A	
	Fan Kit		GFK-160A	
	Glass Latch Assembly	Pkg of 2	386-122A/2	Y
	Remote		SMART-STAT-HHT	
	Touch Up Paint		TUP-GBK-12	

No one builds a better fire

Beginning Manufacturing Date: Feb 2001  
Ending Manufacturing Date: May 2005

### #16 Standing Pilot Valve Assembly



**IMPORTANT: THIS IS DATED INFORMATION.** Parts must be ordered from a dealer or distributor. **Hearth and Home Technologies does not sell directly to consumers.** Provide model number and serial number when requesting service parts from your dealer or distributor.

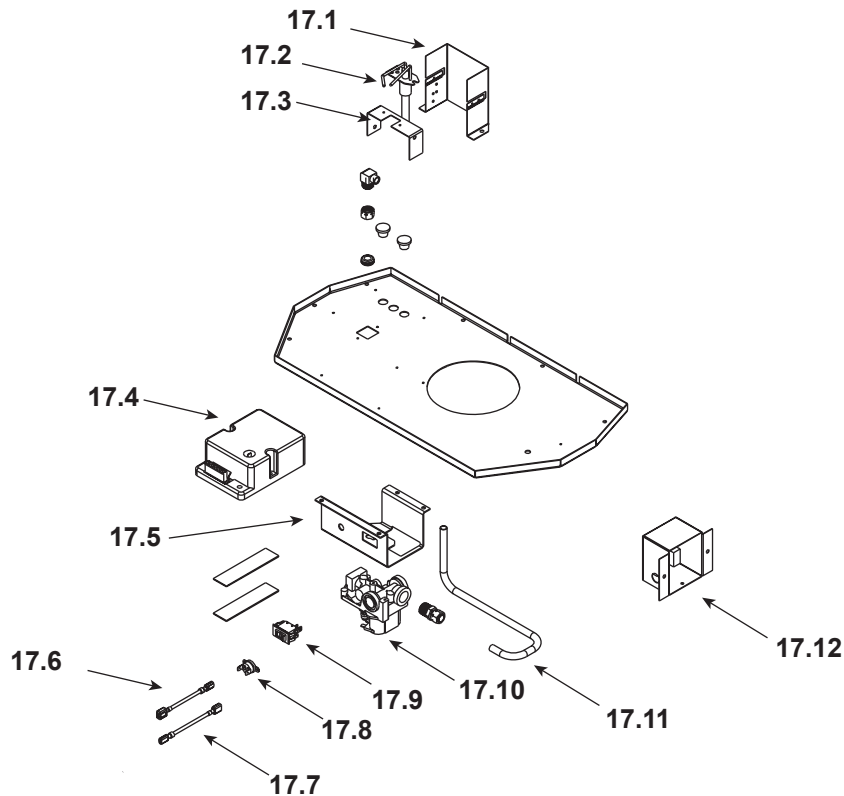


**Stocked at Depot**

ITEM	DESCRIPTION	COMMENTS	PART NUMBER	
16.1	Pilot Assembly NG		2103-010	Y
	Pilot Assembly LP		2103-011	Y
	Pilot Tube		SRV485-301	Y
	Thermocouple		446-511	Y
	Thermopile		2103-512	Y
16.2	Pilot Bracket	No longer available	530-164	
16.3	Valve Bracket	No longer available	550-169	
16.4	Valve NG		060-522	Y
	Valve LP		060-523	Y
16.5	Wire Assembly	No longer available	049-552A	
16.6	Piezo Ignitor		291-513	Y
16.7	On / Off Rocker Switch		060-521A	Y
16.8	Flex Tube Assembly		530-302A	Y
16.9	Wire Assembly	No longer available	505-501A	
16.10	High Limit Switch		SRV4021-383	Y
	Flex Ball Valve Assembly		SRV302-320	Y
	Orifice NG (#44C)		582-844	Y
	Orifice LP (#54C)		SRV582-854	Y
	Conversion Kit NG	No longer available	NGK-550TR-C	
	Conversion Kit LP	No longer available	LPK-550TR-C	
	Pilot Orifice NG		SRV446-505	Y
	Pilot Orifice LP		SRV446-517	Y
	Regulator NG		SRV060-504	Y
	Regulator LP		SRV060-516	Y

DSI Valve Assembly on following page.

### #17 DSI Valve Assembly



IMPORTANT: THIS IS DATED INFORMATION. Parts must be ordered from a dealer or distributor. **Hearth and Home Technologies does not sell directly to consumers.** Provide model number and serial number when requesting service parts from your dealer or distributor.



Stocked at Depot

ITEM	DESCRIPTION	COMMENTS	PART NUMBER	
17.1	Pilot Bracket	No longer available	530-164	
17.2	Ignitor		501-591	Y
17.3	Ignitor Bracket	No longer available	530-163	
17.4	Module	No longer available	501-592	
17.5	Valve Bracket	No longer available	550-256	
17.6	Wiring Harness	No longer available	065-577A	
17.7	Wire Assembly	No longer available	073-554A	
17.8	High Limit Switch		SRV4021-383	Y
17.9	On/Off, Switch		SRV32D0232	Y
17.10	Valve NG		476-500	Y
	Valve LP	No longer available	476-501	
17.11	Flex Tube Assembly		567-301A	Y
17.12	Junction Box	No longer available	100-254A	
	Flex Ball Valve Assembly		SRV302-320	Y
	Orifice NG (#44)		582-844	Y
	Orifice LP (#54)		SRV582-854	Y