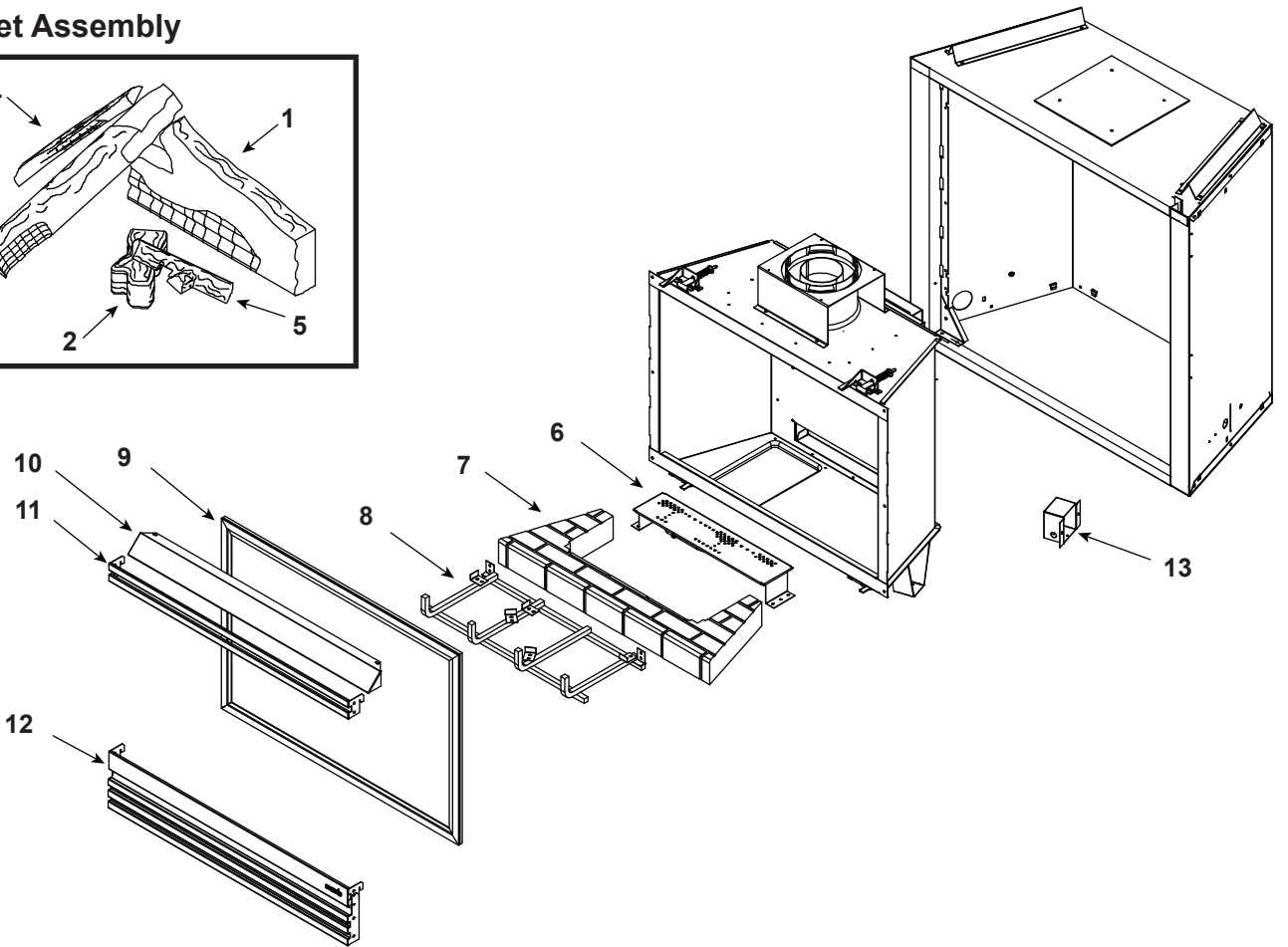
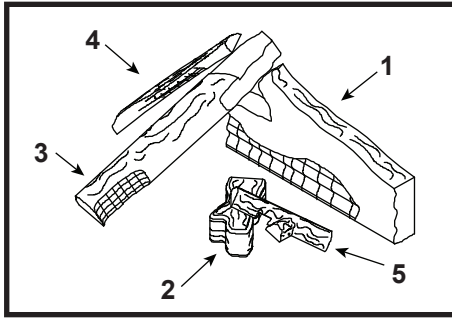


Log Set Assembly



IMPORTANT: THIS IS DATED INFORMATION. Parts must be ordered from a dealer or distributor. **Hearth and Home Technologies does not sell directly to consumers.** Provide model number and serial number when requesting service parts from your dealer or distributor.



Stocked at Depot

ITEM	DESCRIPTION	COMMENTS	PART NUMBER	
	Log Set Assembly		LOGS-550S	Y
1	Log 1	No longer available, Must order complete assembly	SRV530-701	
2	Log 2		SRV530-704	
3	Log 3		SRV530-702	
4	Log 4		SRV530-703	
5	Log 5		SRV530-705	
6	Burner NG, LP		530-131A	Y
7	Base Refractory	No longer available	2044-145	
8	Grate Assembly	No longer available	550-360A	
9	Glass Door Assembly		GLA-550TRS	Y
10	Hood	No longer available	SRV550-175	
11	Louver, Top	No longer available	550-252A	
12	Louver, Bottom	No longer available	550-249A	
13	Junction Box - Pilot		100-250A	Y

Additional service parts on following page



Service Parts

SL-550TRS

No one builds a better fire

Beginning Manufacturing Date: Mar 98
Ending Manufacturing Date: Nov 98

IMPORTANT: THIS IS DATED INFORMATION. Parts must be ordered from a dealer or distributor. Hearth and Home Technologies does not sell directly to consumers. Provide model number and serial number when requesting service parts from your dealer or distributor.



Stocked at Depot

Table with 5 columns: ITEM, DESCRIPTION, COMMENTS, PART NUMBER, and Stocked at Depot. Rows include various parts like Burner Orifice LP, Fan Kit, Piezo Ignitor, Pilot Assembly, Thermocouple, Remote, Touch Up Paint, Valve LP, Conversion Kit, and Regulator.