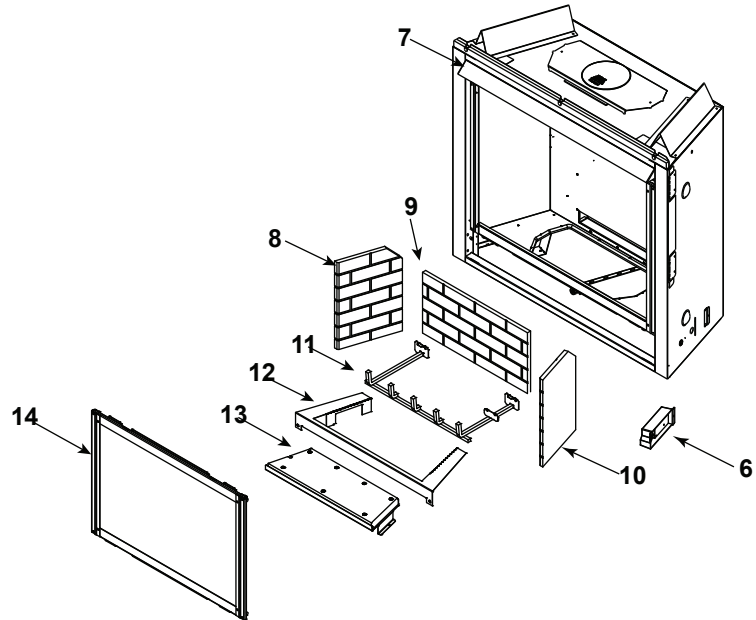


Log Set Assembly



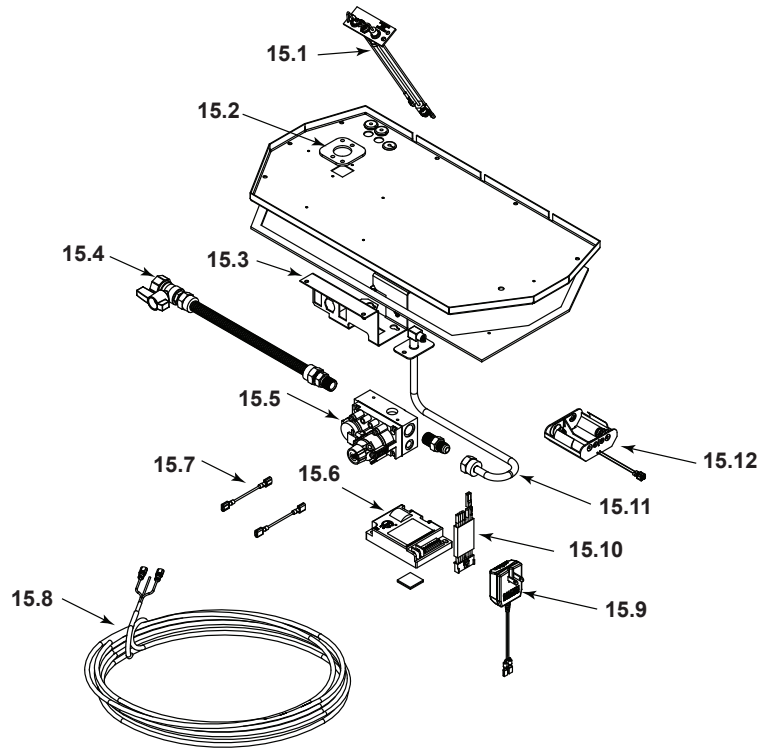
IMPORTANT: THIS IS DATED INFORMATION. Parts must be ordered from a dealer or distributor. **Hearth and Home Technologies does not sell directly to consumers.** Provide model number and serial number when requesting service parts from your dealer or distributor.



Stocked at Depot

ITEM	DESCRIPTION	COMMENTS	PART NUMBER	
	Log Set Assembly		LOGS-550TRS-HD	Y
1	Log 1	No longer available, Must order complete assembly	SRV2117-701	
2	Log 2		SRV2117-702	
3	Log 3		SRV2117-703	
4	Log 4		SRV2117-704	
5	Log 5		SRV2117-705	
6	Junction Box		SRV4021-013	Y
7	Hood	No longer available	SRV550-175	
	Refractory Kit	No longer available	BRICK-550TRS-D	
8	Refractory, Left Side	No longer available	SRV2044-142	
9	Refractory, Back	No longer available	SRV2044-141	
10	Refractory, Right Side	No longer available	SRV2044-143	
	Refractory, Upper Back	No longer available	SRV2044-144	
	Refractory Kit	Post 0022565063	BRICK-550TRSD2	
8	Refractory, Left Side		SRV2044-710	
9	Refractory, Back		SRV2044-711	
10	Refractory, Right Side		SRV2044-712	
11	Log Grate		SRV2066-036	
12	Base Refractory NG, LP		2065-100	
13	Burner NG		SRV2066-020	Y
	Burner LP		SRV2066-021	Y
14	Glass Door Assembly		GLA-550TRS	Y

#15 Valve Assembly



IMPORTANT: THIS IS DATED INFORMATION. Parts must be ordered from a dealer or distributor. **Hearth and Home Technologies does not sell directly to consumers.** Provide model number and serial number when requesting service parts from your dealer or distributor.



**Stocked
at Depot**

ITEM	DESCRIPTION	COMMENTS	PART NUMBER	
15.1	Pilot Assembly NG	Pre 0021077066	4021-422	Y
		Post 0021077066	SRV2090-012	Y
	Pilot Assembly LP	Pre 0021077066	4021-423	Y
		Post 0021077066	2090-013	Y
15.2	Burner Neck Gasket		438-407	
15.3	Valve Bracket	No longer available	2025-101	
15.4	Flex Ball Valve Assembly		SRV302-320	Y
15.5	Valve NG		750-500	Y
	Valve LP		750-501	Y
15.6	Module		SRV593-592	Y
15.7	Wire Assembly		SRV2012-206	Y
15.8	Thermostat Wire Assembly		2045-024	Y
15.9	3 Volt Transformer		SRV593-593	Y
15.10	Wire Assembly		SRV593-590	Y
15.11	Flexible Gas Connector		530-302A	Y
15.12	Battery Pack		SRV593-594	Y
	Burner Orifice NG (#38C)		582-838	Y
	Burner Orifice LP (#53C)		582-853	Y

Additional service part numbers appear on following page.

