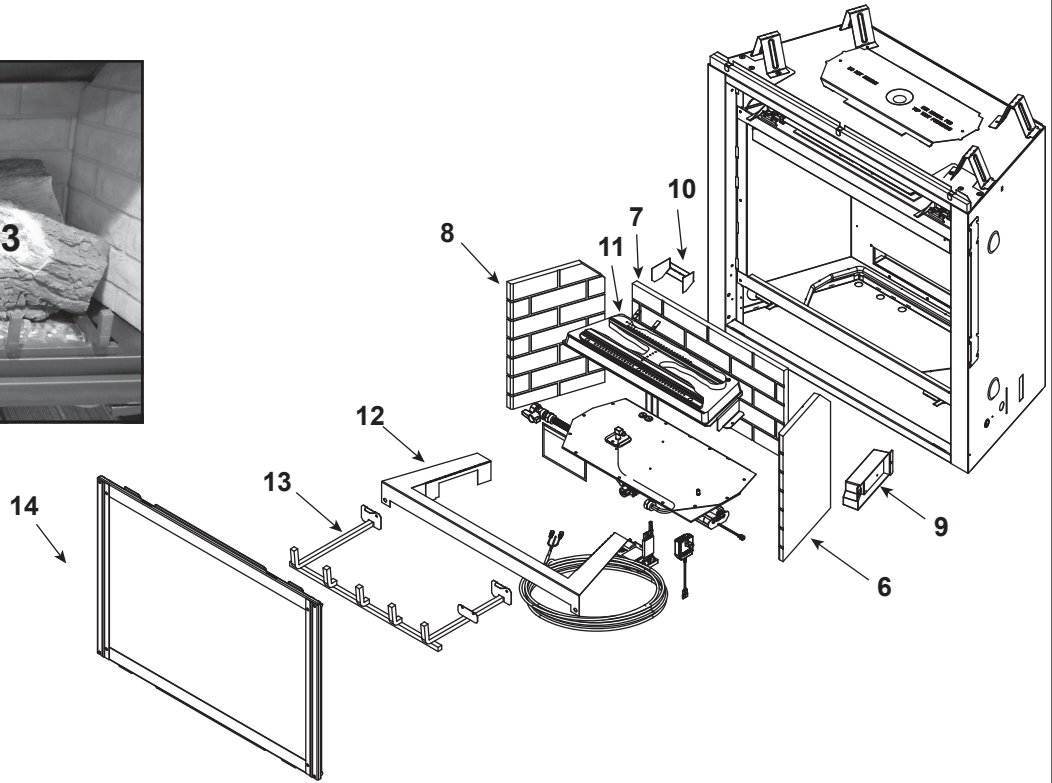
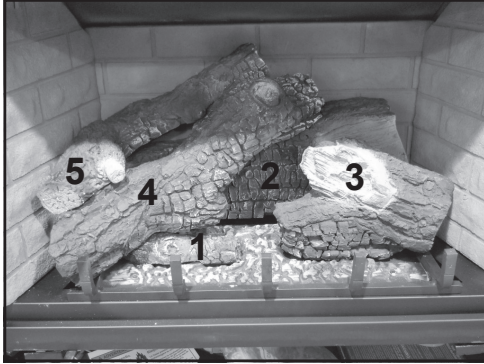


Log Set Assembly



IMPORTANT: THIS IS DATED INFORMATION. Parts must be ordered from a dealer or distributor. **Hearth and Home Technologies does not sell directly to consumers.** Provide model number and serial number when requesting service parts from your dealer or distributor.



Stocked at Depot

ITEM	DESCRIPTION	COMMENTS	PART NUMBER	Stocked at Depot
	Log Set Assembly		LOGS-550TRS-HD	Y
1	Log 1	No longer available, Must order complete assembly	SRV2117-701	
2	Log 2		SRV2117-702	
3	Log 3		SRV2117-703	
4	Log 4		SRV2117-704	
5	Log 5		SRV2117-705	
	Refractory Kit		BRICK-550TRSD2	
6	Refractory, Right Side		SRV2044-712	
7	Refractory, Back		SRV2044-711	
8	Refractory, Left Side		SRV2044-710	
9	Junction Box		SRV4021-013	Y
10	Pilot shield		2066-121	
11	Burner NG		SRV2066-020	Y
	Burner LP		SRV2066-021	Y
12	Base Pan		2065-100	
13	Log Grate		SRV2066-036	
14	Glass Door Assembly		GLA-550TRS	Y

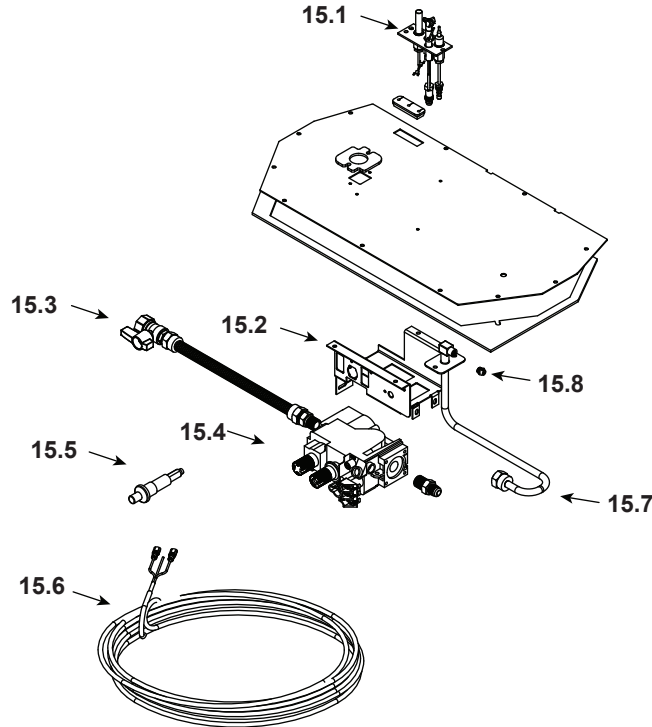
Additional service part numbers appear on following page.

No one builds a better fire

Beginning Manufacturing Date: June 2007

Ending Manufacturing Date: Nov 2013

#15 Valve Assembly



IMPORTANT: THIS IS DATED INFORMATION. Parts must be ordered from a dealer or distributor. **Hearth and Home Technologies does not sell directly to consumers.** Provide model number and serial number when requesting service parts from your dealer or distributor.



**Stocked
at Depot**

ITEM	DESCRIPTION	COMMENTS	PART NUMBER	
15.1	Pilot Assembly NG		2103-010	Y
	Pilot Assembly LP		2103-011	Y
	Pilot Tube		SRV485-301	Y
	Thermocouple		2103-511	Y
	Thermopile		2103-512	Y
15.2	Valve Bracket		2118-104	
15.3	Flex Ball Valve Assembly		SRV302-320	Y
15.4	Valve NG		SRV230-0710	Y
	Valve LP		SRV230-0720	Y
15.5	Piezo Ignitor		SRV14D0503	Y
15.6	Thermostat Wire Assembly		2045-024	Y
15.7	Flexible Gas Connector		530-302A	Y
15.8	Orifice NG (#40C)		582-840	Y
	Orifice LP (#53C)		582-853	Y

Additional service part numbers appear on following page.

