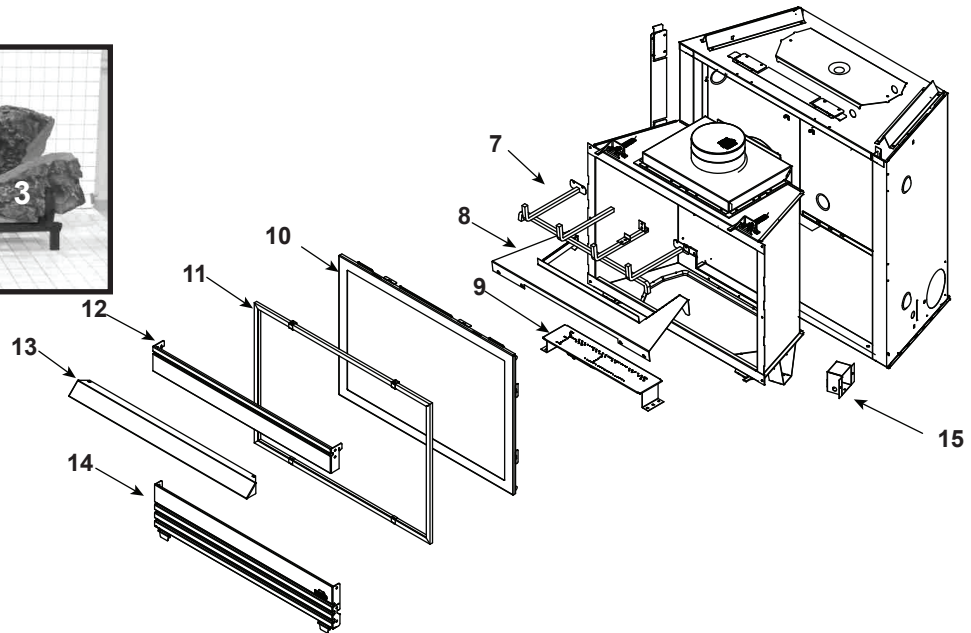
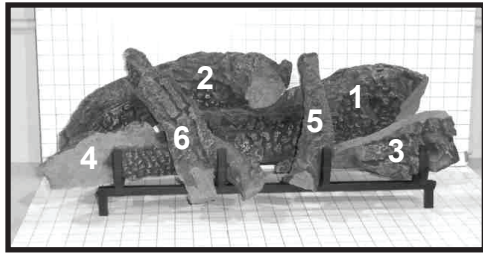


### Log Set Assembly



IMPORTANT: THIS IS DATED INFORMATION. Parts must be ordered from a dealer or distributor. **Hearth and Home Technologies does not sell directly to consumers.** Provide model number and serial number when requesting service parts from your dealer or distributor.



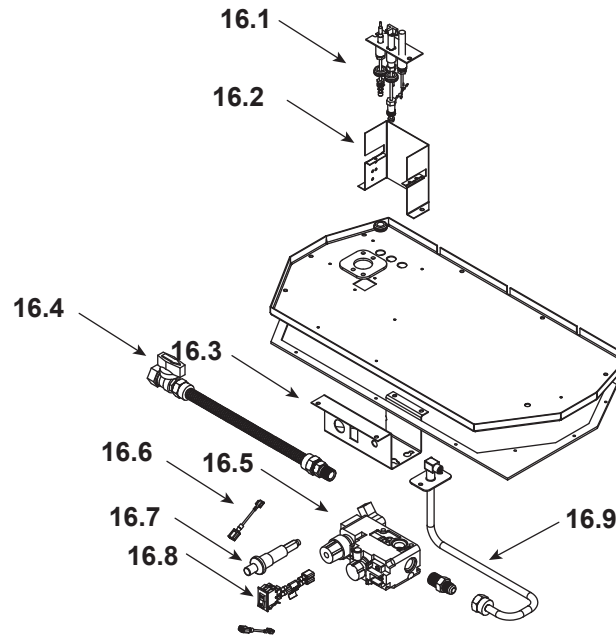
**Stocked at Depot**

ITEM	DESCRIPTION	COMMENTS	PART NUMBER	
	Log Set Assembly		LOGS-SL550	Y
1	Log 1	<b>No longer available, Must order complete assembly</b>	SRV550-715	
2	Log 2		SRV550-714	
3	Log 3		SRV550-717	
4	Log 4		SRV550-716	
5	Log 5		SRV550-718	
6	Log 6		SRV438-724	
7	Grate Assembly	<b>No longer available</b>	550-361A	
8	Base Refractory	<b>No longer available</b>	550-117T	
9	Burner NG		547-208A	Y
	Burner LP		547-210A	Y
10	Glass Door Assembly		GLA-550TRS	Y
11	Door Assembly	<b>No longer available</b>	550-140A	
12	Top Louver	<b>No longer available</b>	550-251A	
13	Hood	<b>No longer available</b>	SRV550-175	
14	Bottom Louver	<b>No longer available</b>	550-248A	
15	Junction Box		100-250A	Y
	Fan Kit		GFK-160A	
	Remote		SMART-STAT-HHT	
	Touch Up Paint		TUP-GBK-12	
	Vermiculite Embers		MYSTIC-EMBERS	
	Vertical Baffle		530-299	

No one builds a better fire

Beginning Manufacturing Date: Feb 2001  
Ending Manufacturing Date: May 2004

### #16 Valve Assembly



IMPORTANT: THIS IS DATED INFORMATION. Parts must be ordered from a dealer or distributor. **Hearth and Home Technologies does not sell directly to consumers.** Provide model number and serial number when requesting service parts from your dealer or distributor.



**Stocked  
at Depot**

ITEM	DESCRIPTION	COMMENTS	PART NUMBER	
16.1	Pilot Assembly NG		4021-736	Y
	Pilot Assembly LP		4021-737	Y
	Pilot Tube		SRV485-301	Y
	Thermocouple		446-511	Y
	Thermopile		2103-512	Y
16.2	Pilot Bracket	<b>No longer available</b>	530-164	
16.3	Valve Bracket	<b>No longer available</b>	550-169	
16.4	Flex Ball Valve Assembly		SRV302-320	Y
16.5	Valve NG		060-522	Y
	Valve LP		060-523	Y
16.6	Wire Assembly	<b>No longer available</b>	049-552A	
16.7	Piezo Ignitor		SRV14D0503	Y
16.8	On/Off, Switch		SRV32D0232	Y
16.9	Flexible Gas Connector	Pre 002209930	567-301A	Y
		Post 002209930	530-302A	Y
	Orifice NG (#38C)		582-838	Y
	Orifice LP (#52C)		SRV582-852	Y
	Conversion Kit NG	<b>No longer available</b>	NGK-550TRS-C	
	Conversion Kit LP	<b>No longer available</b>	LPK-550TRS-C	
	Pilot Orifice NG		SRV446-505	Y
	Pilot Orifice LP		SRV446-517	Y
	Regulator NG		SRV060-518	Y
	Regulator LP		060-519	Y