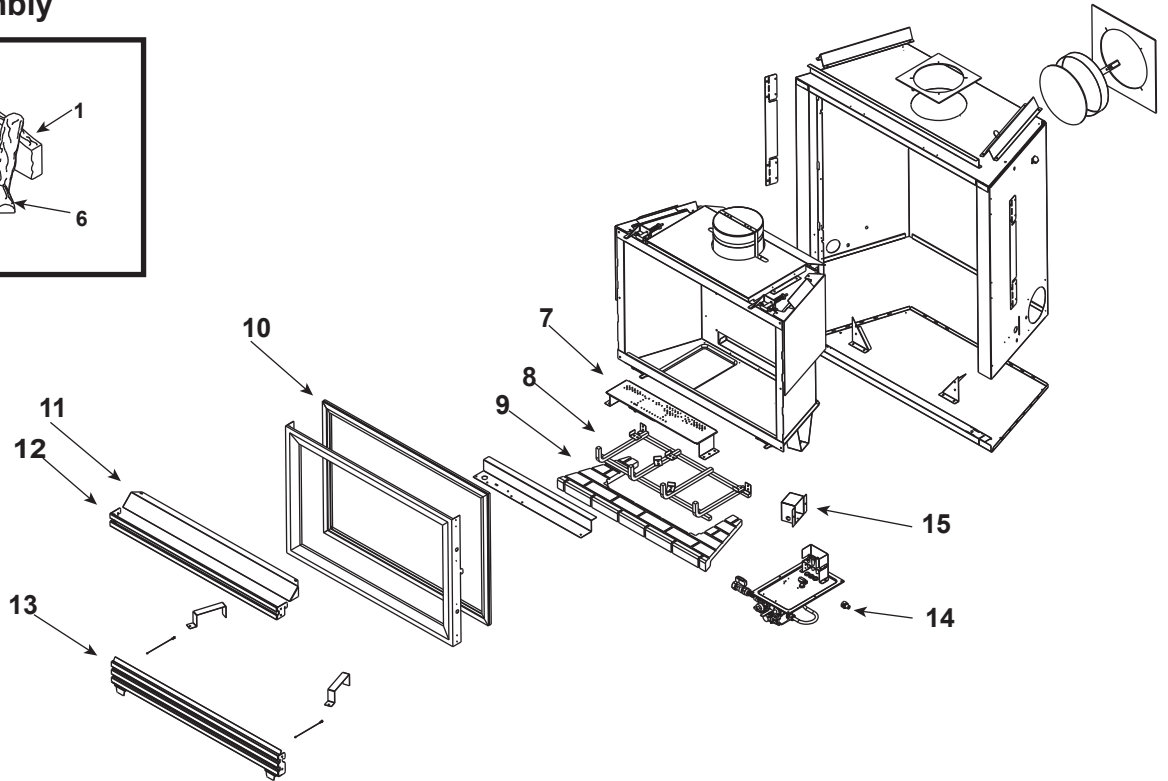
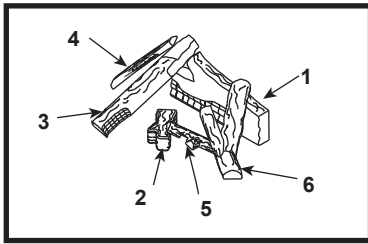


Log Set Assembly



IMPORTANT: THIS IS DATED INFORMATION. Parts must be ordered from a dealer or distributor. **Hearth and Home Technologies does not sell directly to consumers.** Provide model number and serial number when requesting service parts from your dealer or distributor.



Stocked at Depot

ITEM	DESCRIPTION	COMMENTS	PART NUMBER	
	Log Set Assembly		LOGS-550S	Y
1	Log 1	No longer available, Must order complete assembly	SRV530-701	
2	Log 2		SRV530-704	
3	Log 3		SRV530-702	
4	Log 4		SRV530-703	
5	Log 5		SRV530-705	
6	Log 6		SRV569-707	
7	Burner NG		547-231A	Y
	Burner LP		547-233A	Y
8	Log Grate	No longer available	550-360A	
9	Base Refractory NG	No longer available	2044-145	
10	Glass Door Assembly		GLA-550TRS	Y
11	Hood	No longer available	SRV550-175	
12	Louver, Top	No longer available	550-251A	
13	Louver, Bottom	No longer available	550-248A	
14	Burner Orifice NG (#38A)	No longer available	057-800	
	Burner Orifice LP (#52A)	No longer available	057-801	
15	Junction Box		100-250A	Y



Service Parts

SL-550TRS-B

No one builds a better fire

Beginning Manufacturing Date: Nov 1998
Ending Manufacturing Date: Feb 2001

IMPORTANT: THIS IS DATED INFORMATION. Parts must be ordered from a dealer or distributor. Hearth and Home Technologies does not sell directly to consumers. Provide model number and serial number when requesting service parts from your dealer or distributor.



Stocked at Depot

Table with 5 columns: ITEM, DESCRIPTION, COMMENTS, PART NUMBER, Stocked at Depot. Rows include Burner Tube, Fan Kit, Piezo Ignitor, Pilot Assembly NG, Pilot Assembly LP, Thermocouple, Thermopile, Remote, Touch Up Paint, Valve NG, Valve LP, Conversion Kit NG, Conversion Kit LP, Pilot Orifice NG, Pilot Orifice LP, Regulator NG, and Regulator LP.