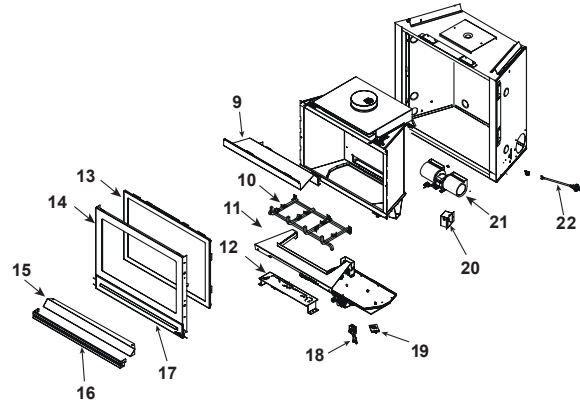


Log Set Assembly



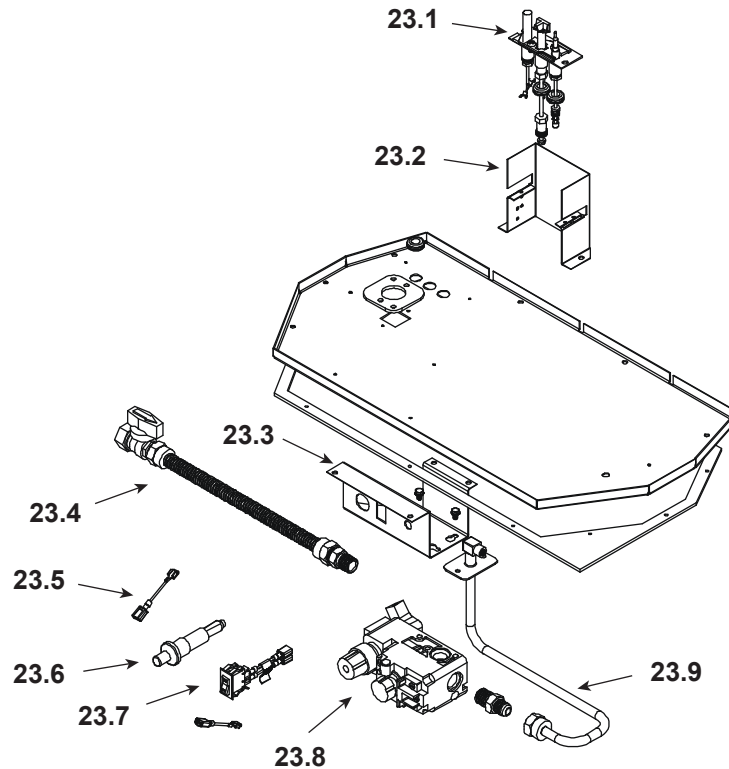
IMPORTANT: THIS IS DATED INFORMATION. When requesting service or replacement parts for your appliance please provide model number and serial number. All parts listed in this manual may be ordered from an authorized dealer.

ITEM	DESCRIPTION	COMMENTS	PART NUMBER
	Log Set Assembly		LOGS-550TRSAUD
1	Log #1	No longer available, must order complete assembly	SRV540-704
2	Log #2		SRV347-703
3	Log #3		SRV349-704
4	Log #4		SRV484-703
5	Log #5		SRV550-718
6	Log #6		SRV278-705
7	Log #7		SRV347-701
8	Log #8		SRV550-715
9	Inner Baffle	No longer available	2021-103
10	Grate	No longer available	SRV2021-007
11	Base Refractory	No longer available	SRV550-117
12	Burner Assembly - NG		2021-005
	Burner Assembly - LP		2021-003
13	Glass Door Assembly		GLA-550TRS
14	Dress Guard w/Lower Door	No longer available	347-180A
15	Hood	No longer available	SRV550-175
16	Top Louver	No longer available	550-251A
17	Lower Door	No longer available	347-181
18	Rheostat		491-510A
19	Temperature Sensor		046-530
20	Junction Box	No longer available	546-250A
21	Blower Assembly 240v.		GFK-240V
22	Power Cord	No longer available	546-251A
	Glass Latch Assembly	Pkg of 2	386-122A /2
	Mesh Assembly		561-330A
	Mineral Wool		050-721
	Rheostat Knob		SRV100-512
	Touch-up Paint		TUP-GBK-12
	Vertical Flue Resistor	No longer available	347-299

No one builds a better fire

Beginning Manufacturing Date: Aug 2003
Ending Manufacturing Date: Aug 2006

#23 Valve Assembly



IMPORTANT: THIS IS DATED INFORMATION. When requesting service or replacement parts for your appliance please provide model number and serial number. All parts listed in this manual may be ordered from an authorized dealer.

ITEM	DESCRIPTION	COMMENTS	PART NUMBER
23.1	Pilot Assembly - NG		2103-010
	Pilot Assembly - LP		2103-011
	Thermocouple		446-511
	Thermopile		2103-512
23.2	Pilot Bracket	No longer available	530-164
23.3	Valve Bracket	No longer available	2025-101
23.4	Flex Ball Valve		SRV302-320
23.5	Wire Assembly	No longer available	049-552A
23.6	Piezo Ignitor		SRV14D0503
23.7	ON/OFF, Switch		SRV32D0232
23.8	Valve - NG		060-522
	Valve - LP		060-523
23.9	Burner Tube Assembly		530-302A
	Orifice - NG		582-839
	Orifice - LP		582-057
	Conversion Kit-LP	No longer available	LPK-550TRSAUD
	Pilot Orifice - NG		SRV446-505
	Pilot Orifice - LP		SRV446-517