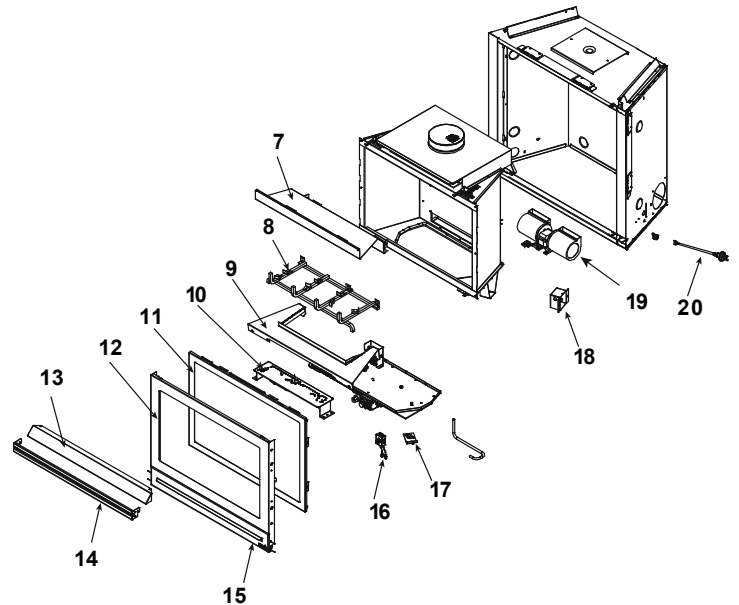


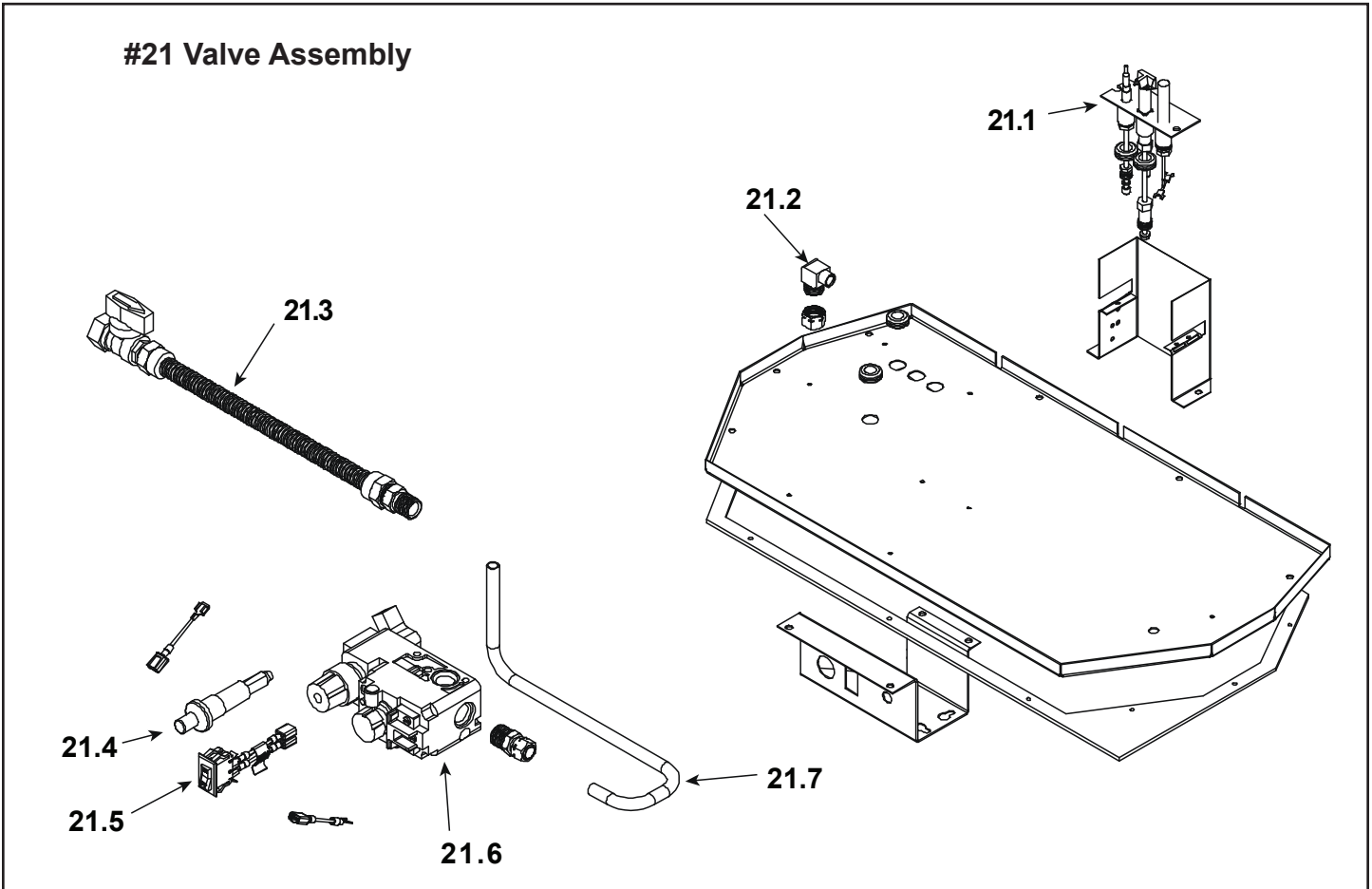
Log Set Assembly



IMPORTANT: THIS IS DATED INFORMATION. Parts must be ordered from a dealer or distributor. **Hearth and Home Technologies does not sell directly to consumers.** Provide model number and serial number when requesting service parts from your dealer or distributor.

ITEM	DESCRIPTION	COMMENTS	PART NUMBER
	Log Set Assembly	No longer available	LOGS-550TRSAUC
1	Log #1	No longer available	SRV506-717
2	Log #2	No longer available	SRV347-702
3	Log #3	No longer available	SRV550-714
4	Log #4	No longer available	SRV347-712
5	Log #5	No longer available	SRV593-703
6	Log #6	No longer available	SRV550-715
7	Exhaust Baffle	No longer available	347-153
8	Grate	No longer available	347-360A
9	Base Refractory	No longer available	SRV550-117
10	Burner Assembly - NG	No longer available	347-176A
	Burner Assembly - LP	No longer available	347-175A
11	Glass Door Assembly		GLA-550TRS
12	Dress Guard	No longer available	347-180A
13	Hood	No longer available	SRV550-175
14	Top Louver w/ Lower Door	No longer available	550-251A
15	Lower Door (only)	No longer available	347-181
16	Rheostat		491-510A
17	Temperature Sensor		107-531
18	Junction Box	No longer available	546-250A
19	Blower Assembly 240v.		GFK-240V
20	Power Cord	No longer available	546-251A
	Vertical Flue Resistor		530-299

#21 Valve Assembly



IMPORTANT: THIS IS DATED INFORMATION. Parts must be ordered from a dealer or distributor. **Hearth and Home Technologies does not sell directly to consumers.** Provide model number and serial number when requesting service parts from your dealer or distributor.

ITEM	DESCRIPTION	COMMENTS	PART NUMBER
21.1	Pilot Assembly NG		2103-010
	Pilot Assembly LP		2103-011
	Thermocouple		446-511
	Thermopile		2103-512
21.2	Orifice NG		582-838
	Orifice LP		582-853
21.3	Flex Ball Valve		SRV302-320
21.4	Piezo Ignitor		SRV14D0503
21.5	ON/OFF, Switch		SRV32D0232
21.6	Valve NG		060-522
	Valve LP		060-523
21.7	Burner Tube		567-301A
	Conversion Kit LP	No longer available	LPK-550TRSAUC
	Pilot Orifice NG		SRV446-505
	Pilot Orifice LP		SRV446-517