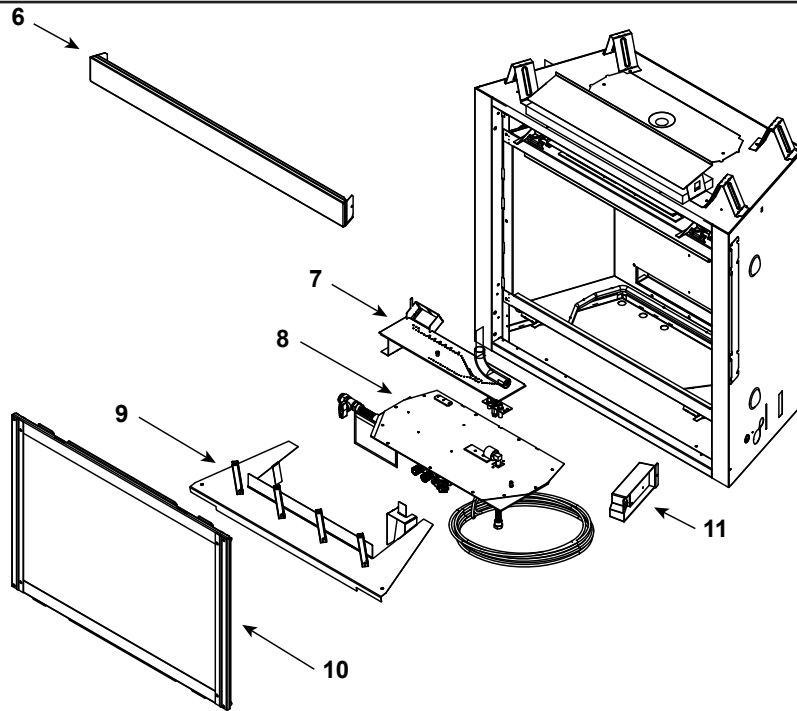


Log Set Assembly



IMPORTANT: THIS IS DATED INFORMATION. Parts must be ordered from a dealer or distributor. **Hearth and Home Technologies does not sell directly to consumers.** Provide model number and serial number when requesting service parts from your dealer or distributor.



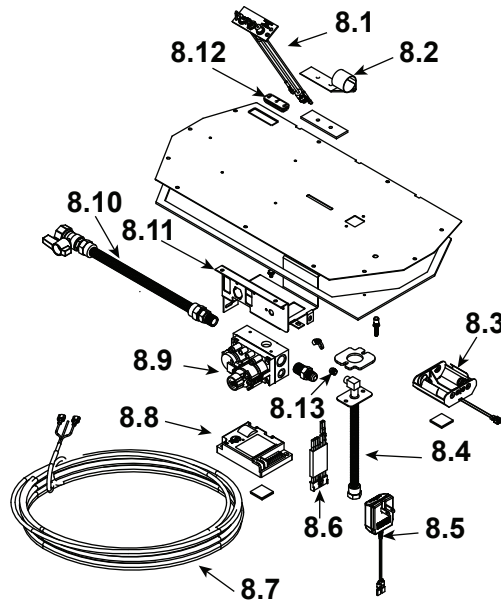
Stocked at Depot

ITEM	DESCRIPTION	COMMENTS	PART NUMBER	
	Log Set Assembly		LOGS-550-E	Y
1	Log 1	No longer available, Must order complete assembly	SRV2115-701	
2	Log 2		SRV2115-702	
3	Log 3		SRV2115-703	
4	Log 4		SRV2115-704	
5	Log 5		SRV2115-705	
6	Drywall Lip		SRV2115-119-BK	
7	Burner NG, LP		SRV2115-007	Y
8	Valve Assembly		Refer to Valve page	
9	Grate Assembly		2115-015	
10	Glass Door Assembly		GLA-550TR	Y
11	Junction Box		SRV4021-013	Y
	Exhaust Baffle		550-155	
	Exhaust Restrictor		530-299	
	Folio Front	Black	FOL-32-BK	
	Gasket Assembly : Contains Burner neck, shutter bracket, vent, seal cap, valve plate, and air passage gaskets		2115-080	
	Glass Latch Assembly	Pkg of 2	33858/2	Y
	Lava Rock		4021-297	
	Mineral Wool		050-721	
	Touch Up Paint		TUP-GBK-12	

No one builds a better fire

Beginning Manufacturing Date: June 2007
Ending Manufacturing Date: June 2016

#8 Valve Assembly



IMPORTANT: THIS IS DATED INFORMATION. Parts must be ordered from a dealer or distributor. **Hearth and Home Technologies does not sell directly to consumers.** Provide model number and serial number when requesting service parts from your dealer or distributor.



Stocked
at Depot

ITEM	DESCRIPTION	COMMENTS	PART NUMBER	
8.1	Pilot Assembly NG		SRV2090-012	Y
	Pilot Assembly LP		2090-013	Y
	Pilot Tube		SRV485-301	Y
8.2	Shutter Bracket Assembly		2118-121	Y
8.3	Battery Pack		SRV593-594	Y
8.4	Flex Tube Assembly		SRV7000-156	Y
8.5	3 Volt Transformer		SRV593-593	Y
8.6	Module Wire Assembly		SRV593-590	Y
8.7	Thermostat Wire Assembly		SRV2118-170	Y
8.8	Module		SRV593-592	Y
8.9	Valve NG		750-500	Y
	Valve LP		750-501	Y
8.10	Flex Ball Valve Assembly		SRV302-320	Y
8.11	Valve Bracket		2118-104	
8.12	3-Hole Grommet		SRV2118-420	
8.13	Orifice NG (#44)		582-844	Y
	Orifice LP (#55)		582-855	Y
	Conversion Kit NG		NGK-550IPIE	Y
	Conversion Kit LP		LPK-550IPIE	Y
	Pilot Orifice NG		SRV593-528	Y
	Pilot Orifice LP		SRV593-527	Y
	Regulator NG		SRVNGK-DXV	Y
	Regulator LP		SRVLPK-DXV	Y