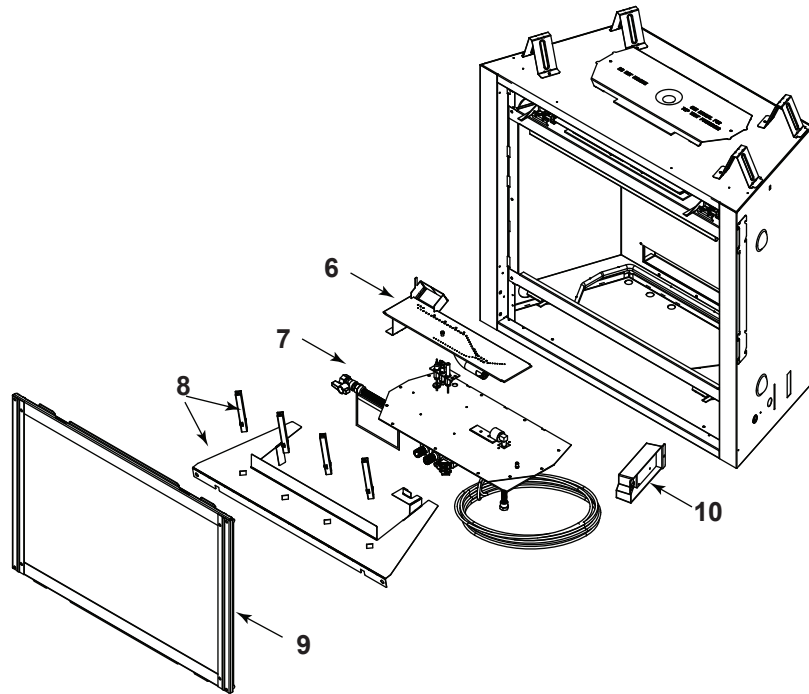


### Log Set Assembly



IMPORTANT: THIS IS DATED INFORMATION. Parts must be ordered from a dealer or distributor. **Hearth and Home Technologies does not sell directly to consumers.** Provide model number and serial number when requesting service parts from your dealer or distributor.



Stocked at Depot

ITEM	DESCRIPTION	COMMENTS	PART NUMBER	
	Log Set Assembly		LOGS-550-E	Y
1	Log 1	<b>No longer available, Must order complete assembly</b>	SRV2115-701	
2	Log 2		SRV2115-702	
3	Log 3		SRV2115-703	
4	Log 4		SRV2115-704	
5	Log 5		SRV2115-705	
6	Burner NG, LP		SRV2115-007	Y
7	Valve Assembly		<b>Refer to Valve page</b>	
8	Grate Assembly		2115-015	
9	Glass Door Assembly		GLA-550TR	Y
10	Junction Box		SRV4021-013	Y
	Exhaust Baffle		550-155	
	Exhaust Restrictor		530-299	
	Folio Front	Black	FOL-32-BK	
	Gasket Assembly : Contains Burner neck, shutter bracket, vent, seal cap, valve plate, and air passage gaskets		2115-080	
	Glass Latch Assembly	Pkg of 2	33858/2	Y
	Lava Rock		4021-297	
	Mineral Wool		050-721	
	Touch Up Paint		TUP-GBK-12	

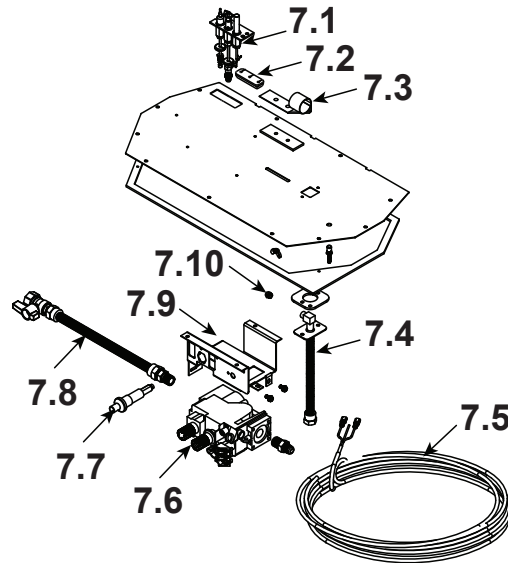
Additional service part numbers appear on following page.

No one builds a better fire

Beginning Manufacturing Date: June 2007

Ending Manufacturing Date: June 2016

### #7 Valve Assembly



**IMPORTANT: THIS IS DATED INFORMATION.** Parts must be ordered from a dealer or distributor. **Hearth and Home Technologies does not sell directly to consumers.** Provide model number and serial number when requesting service parts from your dealer or distributor.



**Stocked at Depot**

ITEM	DESCRIPTION	COMMENTS	PART NUMBER	
7.1	Pilot Assembly NG		2103-010	Y
	Pilot Assembly LP		2103-011	Y
	Pilot Tube		SRV485-301	Y
	Thermocouple		2103-511	Y
	Thermopile		2103-512	Y
7.2	3-Hole Grommet		SRV2118-420	
7.3	Shutter Bracket Assembly		2118-121	Y
7.4	Flex Tube Assembly		SRV7000-156	Y
7.5	Thermostat Wire Assembly		2045-024	Y
7.6	Valve NG		SRV230-0710	Y
	Valve LP		SRV230-0720	Y
7.7	Piezo Ignitor		SRV14D0503	Y
7.8	Flex Ball Valve Assembly		SRV302-320	Y
7.9	Valve Bracket		2118-104	
7.10	Orifice NG (#44C)		582-844	Y
	Orifice LP (#55C)		582-855	Y
	Conversion Kit NG		NGKS-550TR-E	Y
	Conversion Kit LP		LPKS-550TR-E	Y
	Pilot Orifice NG		SRV2103-116	Y
	Pilot Orifice LP		SRV2103-117	Y
	Regulator NG		SRV230-1570	Y
	Regulator LP		SRV230-1520	Y