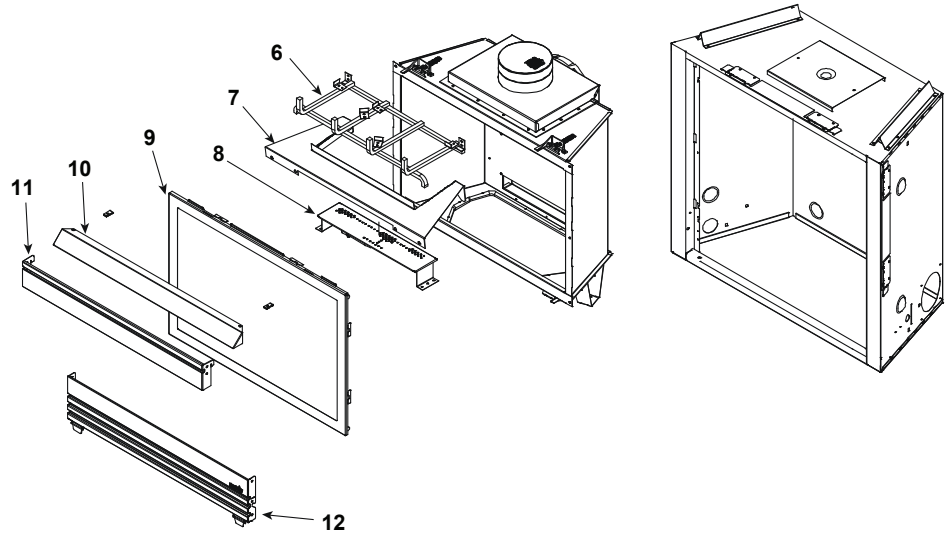


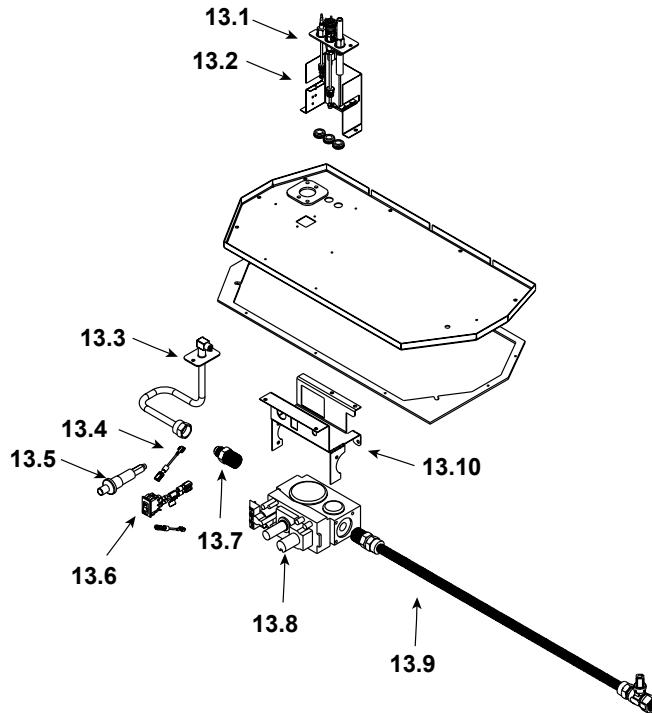
Log Set Assembly



IMPORTANT: THIS IS DATED INFORMATION. Parts must be ordered from a dealer or distributor. **Hearth and Home Technologies does not sell directly to consumers.** Provide model number and serial number when requesting service parts from your dealer or distributor.

ITEM	DESCRIPTION	COMMENTS	PART NUMBER
	Log Set Assembly		LOGS-550
1	Log	No longer available, Must order complete assembly	SRV530-703
2	Log		SRV530-702
3	Log		SRV530-704
4	Log		SRV530-705
5	Log		SRV530-701
6	Log Grate	No longer available	529-361A
7	Base Refractory	No longer available	SRV550-117
8	Burner - G	No longer available	529-130A
	Burner - B	No longer available	529-175A
	Burner - P	No longer available	529-175A
9	Glass Door Assembly		GLA-550TR
10	Hood	No longer available	SRV550-175
11	Top Louver Assembly	No longer available	550-252A
12	Bottom Louver Assembly	No longer available	550-249A
	Exhaust Baffle		550-155
	Extended Vertical Baffle Kit		530-299
	Mesh Assembly		550-382A
	Mineral Wool		050-721
	Wall Switch Kit, Off-white	No longer available	WSK-21
	Wall Switch Kit, White		WSK-21-W

#13 Valve Assembly



IMPORTANT: THIS IS DATED INFORMATION. Parts must be ordered from a dealer or distributor. **Hearth and Home Technologies does not sell directly to consumers.** Provide model number and serial number when requesting service parts from your dealer or distributor.

ITEM	DESCRIPTION	COMMENTS	PART NUMBER
13.1	Pilot Assembly - N		529-540A
	Pilot Assembly - P	No longer available	529-541A
13.2	Pilot Bracket	No longer available	530-164
13.3	Flex Tube , 12"		383-302A
13.4	Wire Assembly	No longer available	049-552A
13.5	Piezo Ignitor		291-513
13.6	ON/OFF Rocker Switch		060-521A
13.7	Male Connector	Pkg of 5	303-315/5
13.8	Valve - N	No longer available	060-524
	Valve - P	No longer available	060-526
13.9	Flex Assembly		302-330A
13.10	Valve Bracket	No longer available	529-169
	Burner Orifice - N (#44C)		582-844
	Burner Orifice - P (#54C)		SRV582-854
	Burner Orifice - B (#56C)		582-856
	Conversion Kit - N	No longer available	NGK-550TRCE-C
	Conversion Kit - P	No longer available	LPK-550TRCE-C
	Conversion Kit - B	No longer available	BGK-550TRCE-C
	Pilot Orifice - N		SRV529-512
	Pilot Orifice - P		SRV200-2630