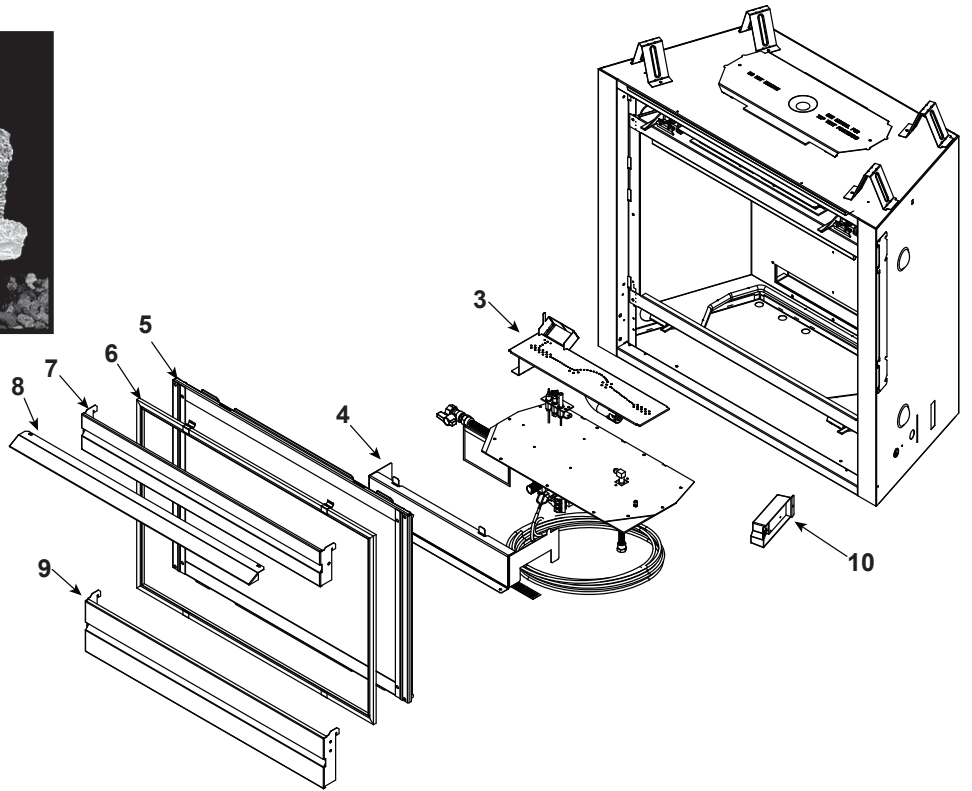
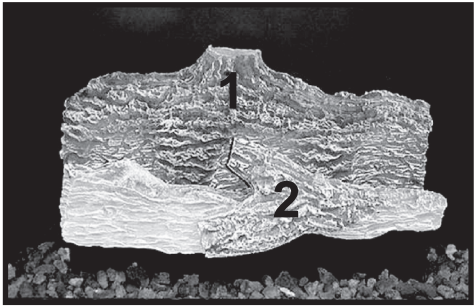


Log Set Assembly



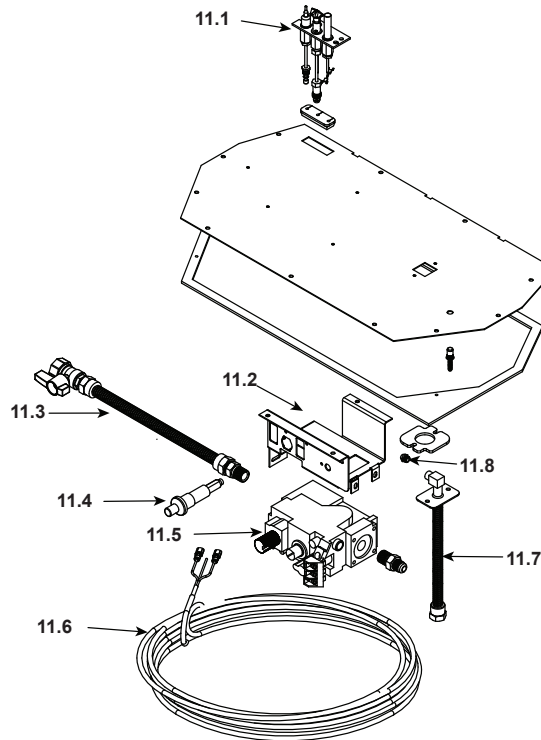
IMPORTANT: THIS IS DATED INFORMATION. Parts must be ordered from a dealer or distributor. **Hearth and Home Technologies does not sell directly to consumers.** Provide model number and serial number when requesting service parts from your dealer or distributor.



Stocked at Depot

ITEM	DESCRIPTION	COMMENTS	PART NUMBER	
	Log Assembly		LOGS-550BE	Y
1	Log 1	No longer available, Must order complete assembly	SRV2114-701	
2	Log 2		SRV2114-702	
3	Burner Assembly		2114-007	Y
4	Log Support	No Longer Available	2114-155	
5	Glass Door Assembly		GLA-550TR	Y
6	Mesh Assembly		SRV2114-245	Y
7	Louver, Top		SRV2114-161-BK	
8	Hood		2115-230	
9	Louver, Bottom		SRV2114-156-BK	
10	Junction Box		100-250A	Y
	Exhaust Restrictor		530-299	
	Gasket Assembly Contains Burner neck, shutter bracket, vent, seal cap, valve plate, and air passage gaskets		2115-080	
	Glass Latch Assembly	Pkg of 2	386-122A/2	Y
	Lava Rock		4021-297	
	Mineral Wool		050-721	
	Touch Up Paint		TUP-GBK-12	

#11 Valve Assembly



IMPORTANT: THIS IS DATED INFORMATION. Parts must be ordered from a dealer or distributor. **Hearth and Home Technologies does not sell directly to consumers.** Provide model number and serial number when requesting service parts from your dealer or distributor.



**Stocked
at Depot**

ITEM	DESCRIPTION	COMMENTS	PART NUMBER	
11.1	Pilot Assembly NG		2103-010	Y
	Pilot Assembly LP		2103-011	Y
	Pilot Tube		SRV485-301	Y
	Thermocouple		2103-511	Y
	Thermopile		2103-512	Y
11.2	Valve Bracket		2118-104	
11.3	Flexible Gas Connector		SRV302-320	Y
11.4	Piezo Ignitor		SRV14D0503	Y
11.5	Valve NG		418-500	Y
	Valve LP		418-501	Y
11.6	Thermostat Wire Assembly		2045-024	Y
11.7	Flex Tube Assembly		SRV7000-156	Y
11.8	Orifice NG (#45)		SRV582-845	Y
	Orifice LP (#55)		582-855	Y
	Conversion Kit NG	No longer available	NGKS-550BE	
	Conversion Kit LP	No longer available	LPKS-550BE	
	Regulator NG	No longer available	NGK-11	
	Regulator LP	No longer available	LPK-11	
	Pilot Orifice NG		SRV2103-116	Y
	Pilot Orifice LP		2103-117	Y