

IMPORTANT: THIS IS DATED INFORMATION. When requesting service or replacement parts for your appliance please provide model number and serial number. All parts listed in this manual may be ordered from an authorized dealer.



Stocked at Depot

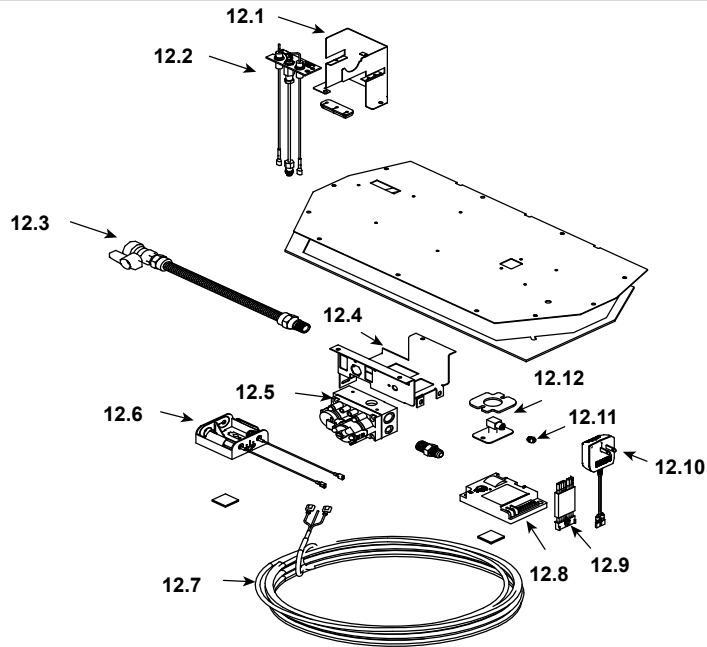
| ITEM | DESCRIPTION | COMMENTS | PART NUMBER | |
|------|--|---------------------|----------------|---|
| 1 | Burner NG, LP | | 2185-003 | Y |
| 2 | Burner Leg | No longer available | 2185-103 | |
| 3 | Plate, Visual cover | | 2188-101 | |
| 4 | Rock Tray | No longer available | 2185-113 | |
| 5 | Glass Assembly | | GLA-550TR | Y |
| 6 | Mesh Assembly | | SRV2114-245 | Y |
| 7 | Hood | | 2115-230 | |
| 8 | Louver, Top | | SRV2114-161-BK | |
| 9 | Louver, bottom | | SRV2114-156-BK | |
| 10 | Base Pan | No longer available | 2188-100 | |
| 11 | Junction Box | | SRV4021-013 | Y |
| | Black Rock | No longer available | MEDIA-550M-BK | |
| | Exhaust Baffle | | 530-299 | |
| | Gasket Assembly Contains Burner neck, shutter bracket, vent, seal cap, valve plate, and air passage gaskets | | 2115-080 | |
| | Glass Latch Assembly | Pkg of 2 | 33858/2 | Y |
| | Hood Clips | Pkg of 24 | 047-805-24 | Y |
| | Mesh Clips | Pkg of 24 | 2005-192-24 | Y |
| | Rock Jig | No longer available | 2185-116 | |
| | Touch Up Paint | | TUP-GBK-12 | |

No one builds a better fire

Beginning Manufacturing Date: May 2009

Ending Manufacturing Date: June 2011

#12 Valve Assembly



IMPORTANT: THIS IS DATED INFORMATION. When requesting service or replacement parts for your appliance please provide model number and serial number. All parts listed in this manual may be ordered from an authorized dealer.



Stocked at Depot

| ITEM | DESCRIPTION | COMMENTS | PART NUMBER | |
|-------|-----------------------------------|---------------------|-----------------|---|
| 12.1 | Pilot Bracket | No longer available | 2185-112 | |
| 12.2 | Pilot Assembly NG | | SRV2090-012 | Y |
| | Pilot Assembly LP | | 2090-013 | Y |
| | Pilot Tube | | SRV485-301 | Y |
| 12.3 | Flex Ball Valve Assembly | | SRV302-320 | Y |
| 12.4 | Valve Bracket | | 2118-104 | |
| 12.5 | Valve NG | | SRV593-500 | Y |
| | Valve LP | | SRV593-501 | Y |
| 12.6 | Battery Pack | | SRV593-594 | Y |
| 12.7 | Thermostat Wire Assembly | | SRV2118-170 | Y |
| 12.8 | Module | | SRV593-592 | Y |
| 12.9 | Module Wire Assembly | | SRV593-590 | Y |
| 12.10 | 3 Volt Transformer | | SRV593-593 | Y |
| 12.11 | Orifice NG (#44) | | 582-844 | Y |
| | Orifice LP (#55) | | 582-855 | Y |
| 12.12 | Flex Tube Assembly | | SRV7000-156 | Y |
| | Jumper Wires, 2 in, Male to Male. | | SRV2012-206 | Y |
| | Conversion Kit NG | No longer available | NGK-550BE-M-IPI | |
| | Conversion Kit LP | No longer available | LPK-550BE-M-IPI | |
| | Pilot Orifice NG | | SRV593-528 | Y |
| | Pilot Orifice LP | | SRV593-527 | Y |
| | Regulator NG | | SRVNGK-DXF | Y |
| | Regulator LP | | SRVLPK-DXF | Y |