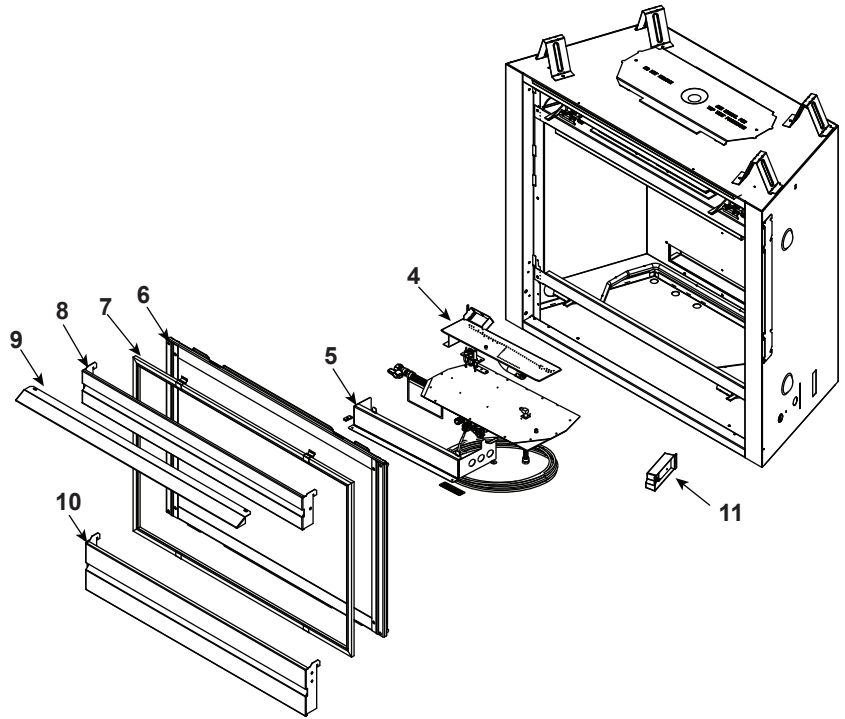
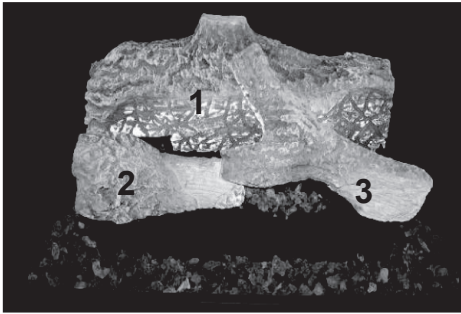


### Log Set Assembly



IMPORTANT: THIS IS DATED INFORMATION. Parts must be ordered from a dealer or distributor. **Hearth and Home Technologies does not sell directly to consumers.** Provide model number and serial number when requesting service parts from your dealer or distributor.



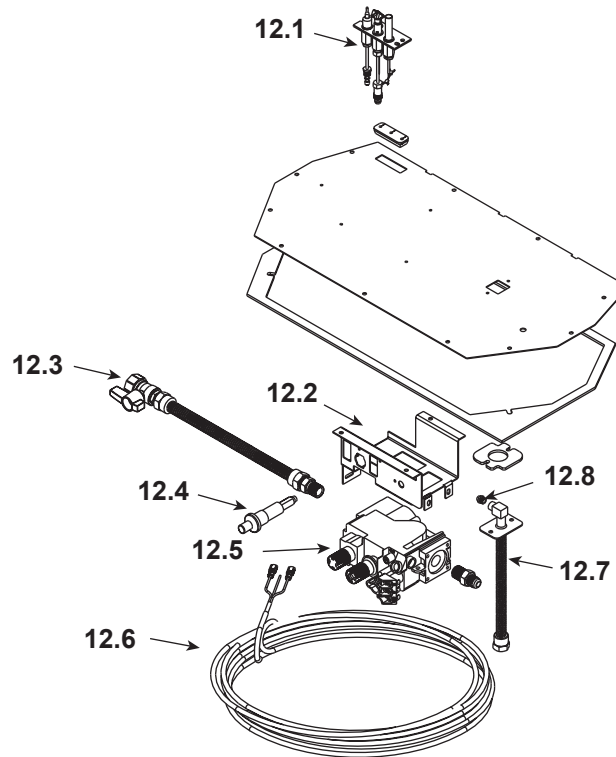
**Stocked at Depot**

ITEM	DESCRIPTION	COMMENTS	PART NUMBER	Stocked at Depot
	Log Assembly		LOGS-550BE-B	Y
1	Log 1	<b>No longer available, must order complete assembly</b>	SRV2158-700	
2	Log 2		SRV2158-701	
3	Log 3		SRV2158-702	
4	Burner Assembly		2158-007	Y
5	Log Support		2158-155	
6	Glass Door Assembly		GLA-550TR	Y
7	Mesh Assembly		SRV2114-245	Y
8	Louver, Top		SRV2114-161-BK	
9	Hood		2115-230	
10	Louver, Bottom		SRV2114-156-BK	
11	Junction box	Pre Dec 2008	100-250A	Y
		Post Dec 2008	SRV4021-013	Y
	Exhaust Restrictor		530-299	
	Gasket Assembly Contains Burner neck, shutter bracket, vent, seal cap, valve plate, and air passage gaskets		2115-080	
	Glass Latch Assembly	Pkg of 2	386-122A/2	Y
	Lava Rock		4021-297	
	Mineral Wool		050-721	
	Touch Up Paint		TUP-GBK-12	

No one builds a better fire

Beginning Manufacturing Date: May 2008  
Ending Manufacturing Date: Oct 2009

### #12 Valve Assembly



IMPORTANT: THIS IS DATED INFORMATION. Parts must be ordered from a dealer or distributor. **Hearth and Home Technologies does not sell directly to consumers.** Provide model number and serial number when requesting service parts from your dealer or distributor.



**Stocked  
at Depot**

ITEM	DESCRIPTION	COMMENTS	PART NUMBER	
12.1	Pilot Assembly NG		2103-010	Y
	Pilot Assembly LP		2103-011	Y
	Pilot Tube		SRV485-301	Y
	Thermocouple		2103-511	Y
	Thermopile		2103-512	Y
12.2	Valve Bracket		2118-104	
12.3	Flexible Gas Connector		SRV302-320	Y
12.4	Piezo Ignitor		SRV14D0503	Y
12.5	Valve NG		SRV230-0710	Y
	Valve LP		SRV230-0720	Y
12.6	Thermostat Wire Assembly		2045-024	Y
12.7	Flex Tube Assembly		SRV7000-156	Y
12.8	Orifice NG (#45)		SRV582-845	Y
	Orifice LP (#55)		582-855	Y
	Conversion Kit NG	No longer available	NGKS-550BE-B	
	Conversion Kit LP	No longer available	LPKS-550BE-B	
	Regulator NG		SRV230-1570	Y
	Regulator LP		SRV230-1520	Y
	Pilot Orifice NG		SRV2103-116	Y
	Pilot Orifice LP		2103-117	Y