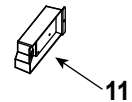
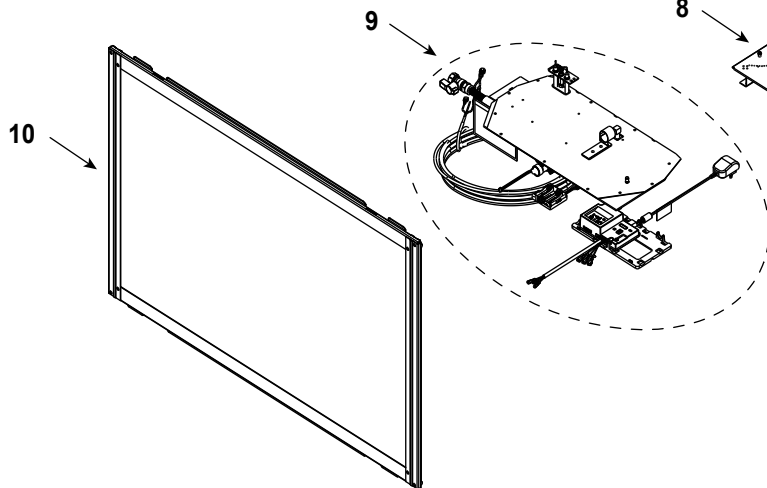
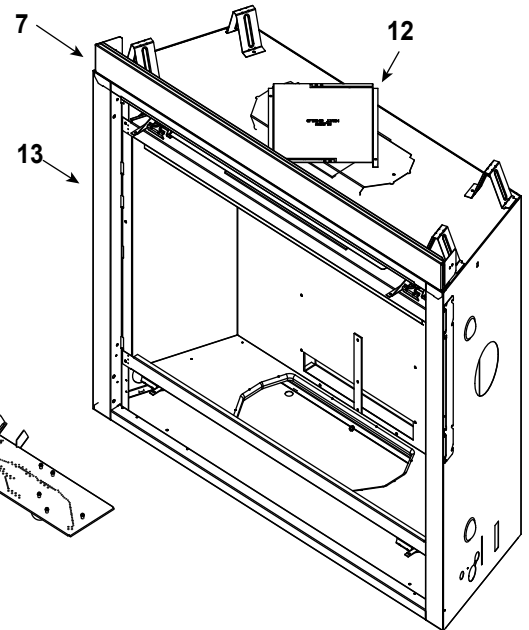
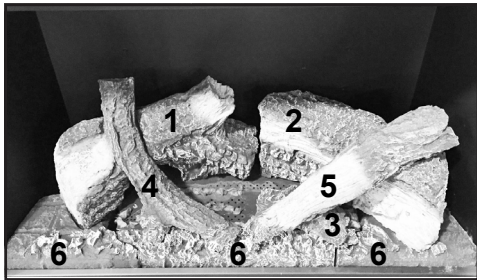


Log Set Assembly



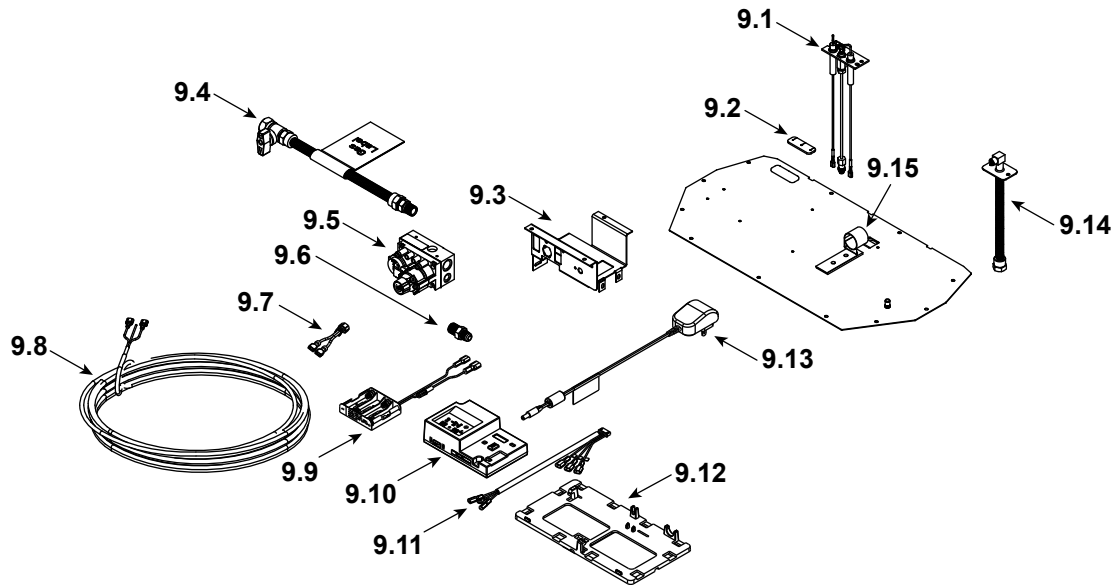
IMPORTANT: THIS IS DATED INFORMATION. Parts must be ordered from a dealer or distributor. **Hearth and Home Technologies does not sell directly to consumers.** Provide model number and serial number when requesting service parts from your dealer or distributor.



Stocked at Depot

| ITEM | DESCRIPTION | COMMENTS | PART NUMBER | |
|------|---|------------------------|---------------------------|---|
| | Log Set Assembly | Hearth Sold Separately | LOGS-SL5 | Y |
| 1 | Rear Left Log | | SRV2391-707 | |
| 2 | Rear Right Log | | SRV2391-708 | |
| 3 | Burner Log | | SRV2391-709 | |
| 4 | Top Left Log | | SRV2392-711 | |
| 5 | Top Right Log | | SRV2391-710 | |
| 6 | Hearth Assembly (Left, Middle, & Right) | | SRVHEARTH-SL5 | |
| 7 | Drywall Support | | 2391-119 | |
| 8 | Burner Assembly | | 2391-007 | Y |
| 9 | Valve Assembly | | See following page | |
| 10 | Glass Door Assembly | | GLA-550TR | Y |
| 11 | Junction Box | | SRV4021-013 | Y |
| 12 | Elbow Heat Shield | | 385-290 | |
| 13 | Overlay Kit | | SRV550-FACE | |

#9 Valve Assembly



IMPORTANT: THIS IS DATED INFORMATION. Parts must be ordered from a dealer or distributor. **Hearth and Home Technologies does not sell directly to consumers.** Provide model number and serial number when requesting service parts from your dealer or distributor.



Stocked at Depot

| ITEM | DESCRIPTION | COMMENTS | PART NUMBER | Stocked at Depot |
|------|--------------------------|----------|-------------|------------------|
| 9.1 | Pilot Assembly NG | | 2106-169 | Y |
| | Pilot Assembly Propane | | 2106-170 | Y |
| | Pilot Tube | | SRV485-301 | Y |
| 9.2 | 3-Hole Grommet | | SRV2118-420 | |
| 9.3 | Valve Bracket | | 2118-104 | |
| 9.4 | Flex Ball Valve Assembly | | SRV302-320 | Y |
| 9.5 | Valve NG | | SRV2166-302 | Y |
| | Valve Propane | | 2166-303 | Y |
| 9.6 | Male Connector | Pkg of 5 | 303-315/5 | |
| 9.7 | Jumper Wire | | SRV2187-198 | Y |
| 9.8 | Thermostat Wire Assembly | | SRV2118-170 | Y |
| 9.9 | Battery Pack** | | SRV2326-134 | Y |
| 9.10 | Module, IFT Control | | SRV2326-130 | Y |
| 9.11 | Wire Harness, IFT 6 Pin | | SRV2326-132 | Y |
| 9.12 | Component Tray | | 2279-185 | |
| 9.13 | 6 Volt Transformer | | SRV2326-131 | Y |
| 9.14 | Bulkhead w/Flex Tube | | SRV7000-156 | Y |
| 9.15 | Shutter Bracket Assembly | | 2118-121 | |
| | Orifice NG (#44) | | 582-844 | Y |
| | Orifice Propane (#55) | | 582-855 | Y |

**Fuse for battery pack can be sourced locally, not a warranty item. Specs are 250v, 3A fuse, 3/4" long

Additional service part numbers appear on following page.

