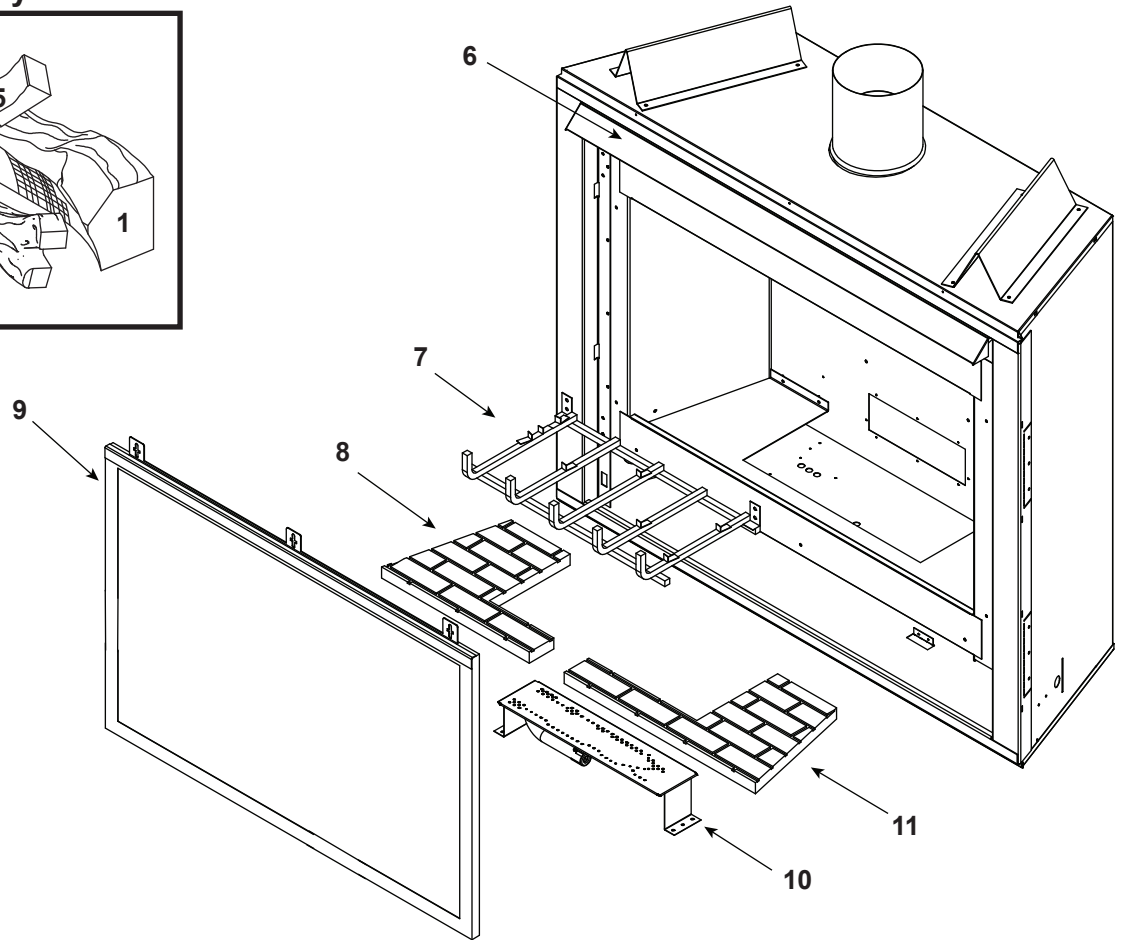
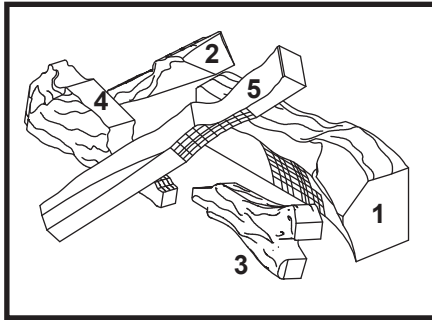


### Log Set Assembly



IMPORTANT: THIS IS DATED INFORMATION. Parts must be ordered from a dealer or distributor. **Hearth and Home Technologies does not sell directly to consumers.** Provide model number and serial number when requesting service parts from your dealer or distributor.



**Stocked  
at Depot**

ITEM	DESCRIPTION	COMMENTS	PART NUMBER
	Log Set Assembly	No longer available	LOGS-SL42
1	Log 1	No longer available	SRV530-711
2	Log 2	No longer available	SRV446-714
3	Log 3	No longer available	SRV402-701
4	Log 4	No longer available	SRV446-703
5	Log 5	No longer available	SRV446-704
6	Hood	No longer available	SRV65-143-BK
7	Grate Assembly	No longer available	486-360A
8	Base Refractory Left	No longer available	SRV486-371
9	Glass Door Assembly	No longer available	GLA-SL42
10	Burner NG, LP	No longer available	486-176A
12	Base Refractory Right	No longer available	SRV486-370



No one builds a better fire

Beginning Manufacturing Date: July 1996  
Ending Manufacturing Date: Feb 1997

IMPORTANT: THIS IS DATED INFORMATION. Parts must be ordered from a dealer or distributor. **Hearth and Home Technologies does not sell directly to consumers.** Provide model number and serial number when requesting service parts from your dealer or distributor.



Stocked at Depot

ITEM	DESCRIPTION	COMMENTS	PART NUMBER	
	Decorative Front	No longer available	DF-42H	
	Fan Kit		GFK-160A	
	Mineral Wool		050-721	
	Remote		SMART-STAT-HHT	
	Touch Up Paint		TUPB-12	
STANDING PILOT COMONENTS				
	Burner Tube		477-301A	Y
	Flex Ball Valve Assembly		SRV302-320	Y
	Junction Box	Standing Pilot	100-250A	Y
	On/Off, Switch		SRV32D0232	Y
	Orifice NG (#36A)	No longer available	079-831	
	Orifice LP (#51A)	No longer available	079-803	
	Piezo Ignitor		291-513	Y
	Pilot Assembly NG		446-510A	Y
	Pilot Assembly LP		4021-733	Y
	Thermocouple		446-511	Y
	Thermopile		2103-512	Y
	Pilot Tube		SRV446-301	Y
	Valve NG		060-520	Y
	Valve LP		060-521	Y
	Conversion Kit NG	No longer available	NGK-SL42	
	Conversion Kit LP	No longer available	LPK-SL42	
	Pilot Orifice NG		SRV446-505	Y
	Pilot Orifice LP		SRV446-517	Y
	Regulator NG		SRV060-504	Y
	Regulator LP		SRV060-516	Y
DSI Components				
	Junction Box	No longer available	100-254A	
	Electrode	No longer available	416-591	
	Module	No longer available	398-592	
	Transformer	No longer available	060-599	
	Valve LP	No longer available	SRV462-501	
	Valve NG	No longer available	SRV462-500	