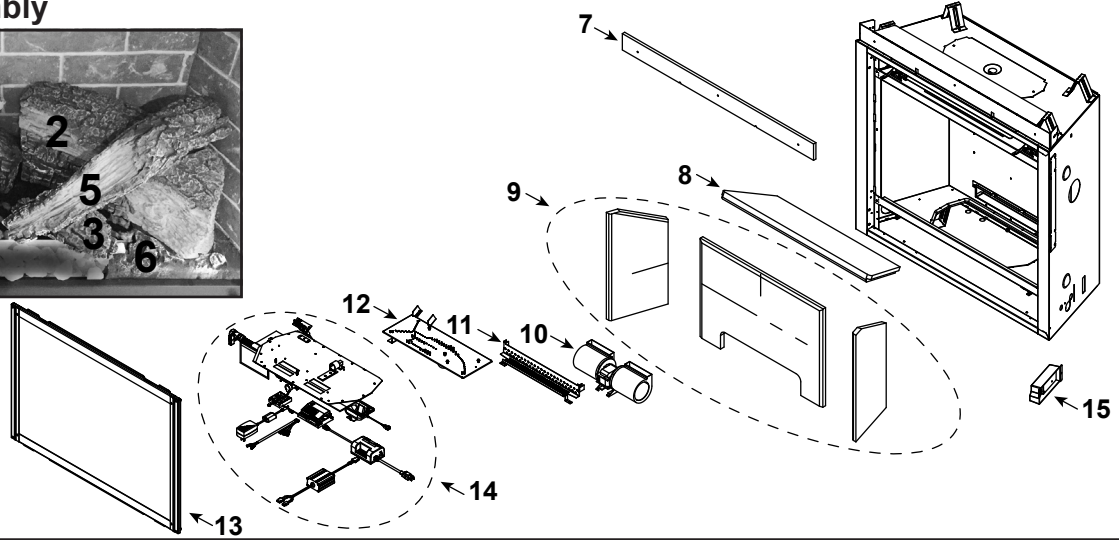
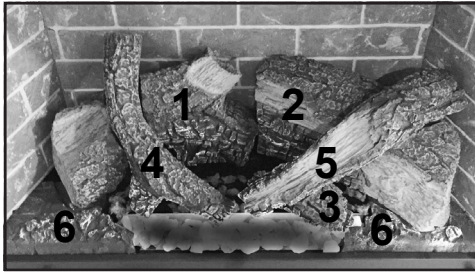


No one builds a better fire

28" Gas Fireplace - DV

Beginning Manufacturing Date: May 2016  
Ending Manufacturing Date: Oct 2017

### Log Set Assembly



**IMPORTANT: THIS IS DATED INFORMATION.** Parts must be ordered from a dealer or distributor. **Hearth and Home Technologies does not sell directly to consumers.** Provide model number and serial number when requesting service parts from your dealer or distributor.



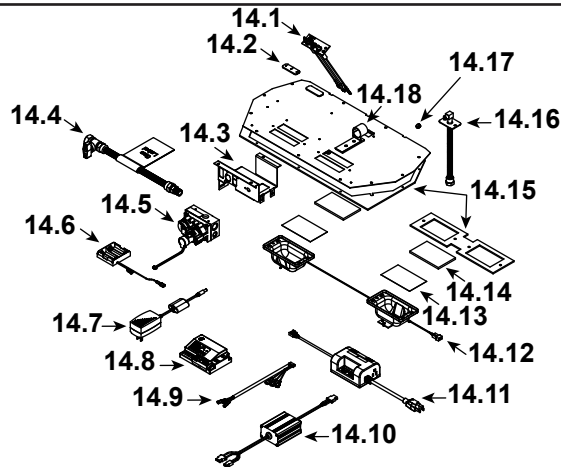
**Stocked at Depot**

ITEM	DESCRIPTION	COMMENTS	PART NUMBER	
	Log Set Assembly	Hearth Sold Separately	<b>LOGS-SL3X-HD</b>	Y
1	Rear Left Log	<b>No longer available, must order complete assembly</b>	SRV2370-707	
2	Rear Right Log		SRV2370-708	
3	Burner Log		SRV2371-709	
4	Top Left Log		SRV2372-711	
5	Top Right Log		SRV2371-710	
6	Left and Right Hearth		SRVHEARTH-SL3X	
7	Non-combustible Board		2113-401	
8	Top Refractory		SRV2370-703	
9	Refractory Assembly		SRV2370-077	
10	Blower		GFK-160A	
11	Ember Bed		2372-108	
12	Burner Assembly		2370-007	Y
13	Glass Door Assembly		GLA-3504TRS	Y
14	Valve Assembly		<b>See following Page</b>	
15	Junction Box		SRV4021-013	Y
	Exhaust Restrictor		530-299	
	Firescreen	Black	FS-3-BK	
	Gasket Assembly Contains Burner neck, shutter bracket, vent, seal cap, valve plate, ember LED, and air passage gaskets		2118-080	
	Log Touch Up Paint		2372-099	
	Mineral Wool		050-721	
	RC300-HNG Remote		2166-330	
	TECO SIL		2372-790	
	Touch Up Paint		TUP-GBK-12	

Additional service part numbers appear on following page.

No one builds a better fire

### #14 Valve Assembly



**IMPORTANT: THIS IS DATED INFORMATION.** Parts must be ordered from a dealer or distributor. **Hearth and Home Technologies does not sell directly to consumers.** Provide model number and serial number when requesting service parts from your dealer or distributor.



**Stocked at Depot**

ITEM	DESCRIPTION	COMMENTS	PART NUMBER	
14.1	Pilot Assembly NG		2106-169	Y
	Pilot Assembly LP		2106-170	Y
	Pilot Tube		SRV485-301	Y
14.2	3-Hole Grommet		SRV2118-420	Y
14.3	Valve Bracket		2118-104	
14.4	Flex Ball Valve Assembly		SRV302-320	Y
14.5	Valve NG		SRV2166-302	Y
	Valve LP		2166-303	Y
14.6	Battery Pack **		SRV2166-323	Y
14.7	Transformer, 6V Wall		SRV2326-131	Y
14.8	Module		2166-347	Y
14.9	Wire Harness		2166-304	Y
14.10	LED Controller		2166-336	Y
14.11	RC300 AUX		SRV2166-335	Y
14.12	2-Gang LED Assembly		2166-316	Y
14.13	Kapton Lens	Qty 2 req	2166-184	Y
14.14	LED Glass	Qty 2 req	2166-163	Y
14.15	Ember LED Gasket and Valve Plate Gasket	Must order Gasket Assembly 2118-080		
14.16	Bulkhead w/Flex Tube		SRV7000-156	Y
14.17	Orifice NG (#44)		582-844	Y
	Orifice LP (#55)		582-855	Y
14.18	Air Shutter		2118-121	Y
	Conversion Kit NG		NGK-SL3X	
	Conversion Kit LP		LPK-SL3X	
	Pilot Orifice NG		SRV593-528	Y
	Pilot Orifice LP		SRV593-527	Y
	Regulator NG		NGK-DXV-50	Y
	Regulator LP		SRVLPK-DXV-50	Y

\*\*Fuse for battery pack can be sourced locally, not a warranty item. Specs are 250v, 1A fuse, 3/4" long