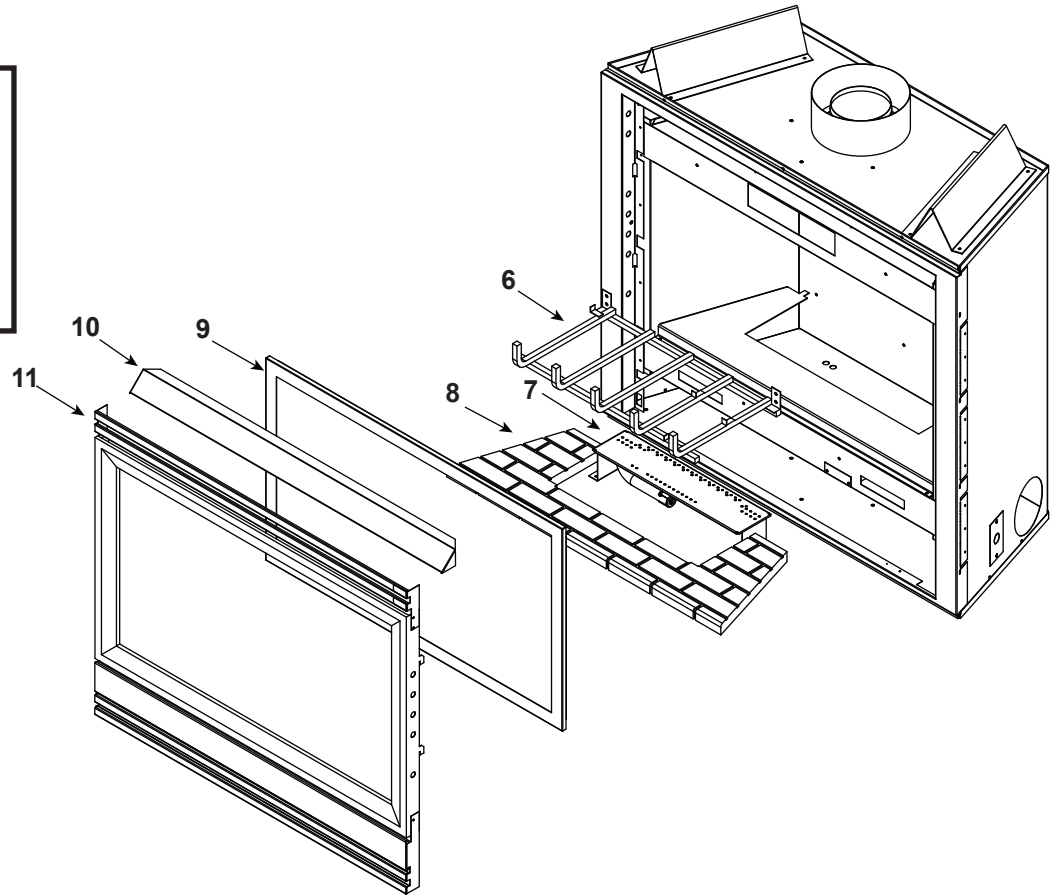
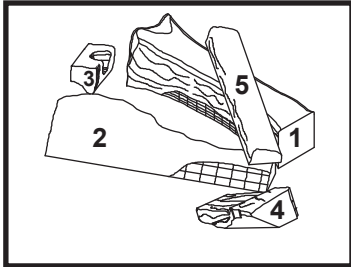


### Log Set Assembly



IMPORTANT: THIS IS DATED INFORMATION. Parts must be ordered from a dealer or distributor. **Hearth and Home Technologies does not sell directly to consumers.** Provide model number and serial number when requesting service parts from your dealer or distributor.



**Stocked at Depot**

| ITEM | DESCRIPTION         | COMMENTS            | PART NUMBER  |   |
|------|---------------------|---------------------|--------------|---|
|      | Log Set Assembly    | No longer available | LOGS-SL36S   |   |
| 1    | Log 1               | No longer available | SRV459-701   |   |
| 2    | Log 2               | No longer available | SRV459-702   |   |
| 3    | Log 3               | No longer available | SRV446-714   |   |
| 4    | Log 4               |                     | SRV446-706   |   |
| 5    | Log 5               | No longer available | SRV459-703   |   |
| 6    | Grate Assembly      | No longer available | 459-362A     |   |
| 7    | Burner NG           | No longer available | 459-LOGUPNG  |   |
|      |                     | Post 6441           | 446-176A     | Y |
|      | Burner LP           | No longer available | 459-LOGUPLP  |   |
|      |                     | Post 1602           | 446-176A     | Y |
| 8    | Refractory          | No longer available | SRV459-337   |   |
| 9    | Glass Door Assembly |                     | GLA-36TV     | Y |
| 10   | Hood                |                     | SRV60-143-BK |   |
| 11   | Decorative Front    | No longer available | DF-36H       |   |

No one builds a better fire

Beginning Manufacturing Date: June 1996  
Ending Manufacturing Date: Oct 1998

IMPORTANT: THIS IS DATED INFORMATION. Parts must be ordered from a dealer or distributor. **Hearth and Home Technologies does not sell directly to consumers.** Provide model number and serial number when requesting service parts from your dealer or distributor.



**Stocked  
at Depot**

| ITEM | DESCRIPTION              | COMMENTS                     | PART NUMBER    |   |
|------|--------------------------|------------------------------|----------------|---|
|      | Fan Kit                  |                              | GFK-160A       |   |
|      | Flex Ball Valve Assembly |                              | SRV302-320     | Y |
|      | High Limit Switch        |                              | SRV4021-383    | Y |
|      | Junction Box             |                              | 100-250A       | Y |
|      | Mineral Wool             |                              | 050-721        |   |
|      | On/Off Rocker Switch     |                              | 060-521A       | Y |
|      | Orifice NG (#42A)        |                              | 060-800        | Y |
|      | Orifice LP (#53A)        |                              | 060-801        | Y |
|      | Piezo Igniter            |                              | 291-513        | Y |
|      | Pilot Assembly NG        | Pre Mid 1996<br>(Non 30 Sec) | 446-512A       | Y |
|      |                          | Post Mid 1996                | 446-510A       | Y |
|      | Pilot Assembly LP        | Pre Mid 1996<br>(Non 30 Sec) | 446-513A       | Y |
|      |                          | Post Mid 1996                | 446-511A       | Y |
|      | Thermopile               |                              | 2103-512       | Y |
|      | Pilot Tube               |                              | SRV446-301     | Y |
|      | Remote                   |                              | SMART-STAT-HHT |   |
|      | Touch Up Paint           |                              | TUPB-12        |   |
|      | Valve NG                 | Pre Mid 1996<br>(Non 30 Sec) | 060-500        | Y |
|      |                          | Post Mid 1996                | 060-520        | Y |
|      | Valve LP                 | Pre Mid 1996<br>(Non 30 Sec) | 060-501        | Y |
|      |                          | Post Mid 1996                | 060-521        | Y |
|      |                          |                              |                |   |
|      |                          |                              |                |   |
|      |                          |                              |                |   |
|      |                          |                              |                |   |
|      |                          |                              |                |   |
|      | Conversion Kit NG        | No longer available          | NGK-SL36-4     |   |
|      | Conversion Kit LP        | No longer available          | LPK-SL36-4     |   |
|      | Pilot Orifice NG         |                              | SRV446-505     | Y |
|      | Pilot Orifice LP         |                              | SRV446-517     | Y |
|      | Regulator NG             |                              | SRV060-504     | Y |
|      | Regulator LP             |                              | SRV060-516     | Y |