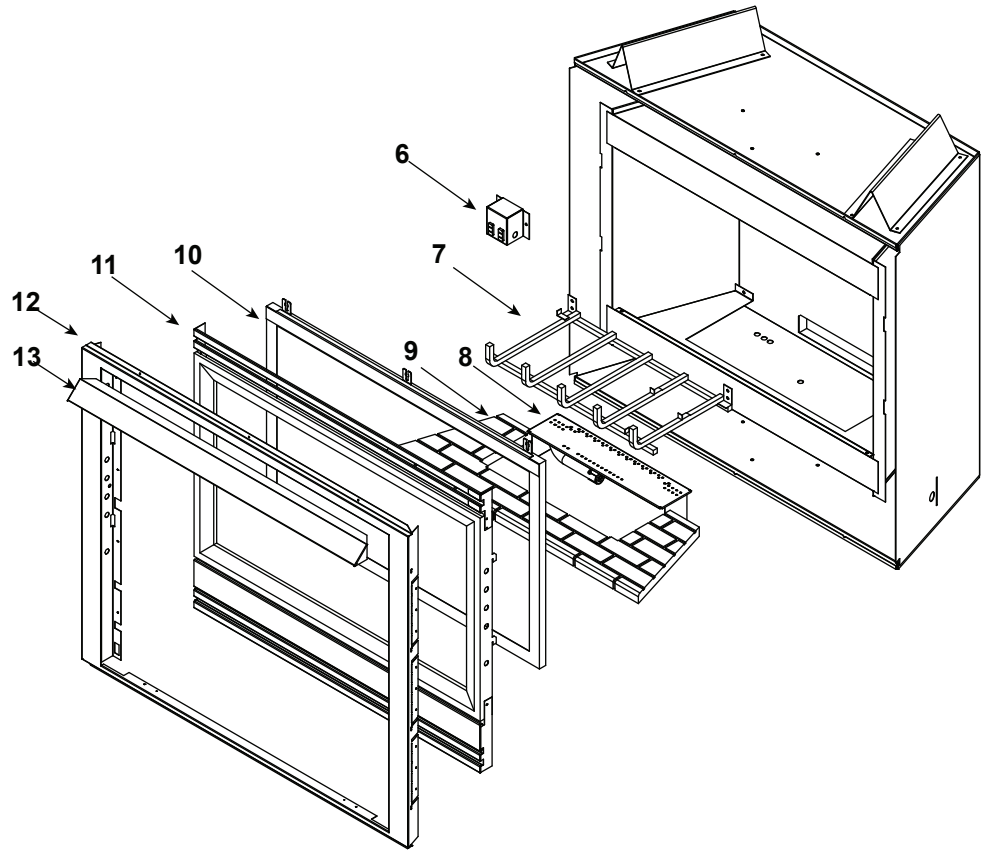
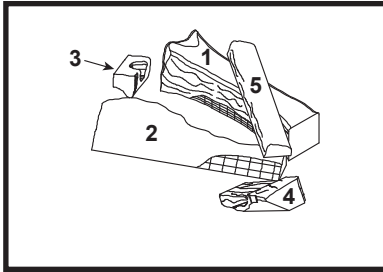


Log Set Assembly



IMPORTANT: THIS IS DATED INFORMATION. Parts must be ordered from a dealer or distributor. **Hearth and Home Technologies does not sell directly to consumers.** Provide model number and serial number when requesting service parts from your dealer or distributor.



**Stocked
at Depot**

ITEM	DESCRIPTION	COMMENTS	PART NUMBER	
	Log Set Assembly	No longer available	LOGS-SL36S	
1	Log 1	No longer available	SRV459-701	
2	Log 2	No longer available	SRV459-702	
3	Log 3	No longer available	SRV446-714	
4	Log 4		SRV446-706	
5	Log 5	No longer available	SRV459-703	
6	Junction Box	Standing Pilot	100-250A	Y
		No longer available	100-254A	
7	Grate Assembly	No longer available	459-362A	
8	Burner NG		446-176A	Y
	Burner LP		446-175A	Y
9	Refractory	No longer available	SRV459-337	
10	Glass Door Assembly		GLA-6DVL	Y
11	Decorative front	No longer available	DF-36H	
12	Surround	No longer available	414-130	
13	Hood		SRV60-143-BK	



Service Parts

SL-36GDV, SL-36GDV-DSI

No one builds a better fire

Beginning Manufacturing Date; Feb 1996
Ending Manufacturing Date: April 1998

IMPORTANT: THIS IS DATED INFORMATION. Parts must be ordered from a dealer or distributor. **Hearth and Home Technologies does not sell directly to consumers.** Provide model number and serial number when requesting service parts from your dealer or distributor.



Stocked at Depot

ITEM	DESCRIPTION	COMMENTS	PART NUMBER	Stocked at Depot
	Burner Tube		477-301A	Y
	Fan Kit		GFK-160A	
	Flex Ball Valve Assembly		SRV302-320	Y
	Mineral Wool		050-721	
	On/ Off Rocker Switch		060-521A	
	Orifice NG (#42A)		060-800	Y
	Orifice LP (#53A)		060-801	Y
	Piezo Ignitor		291-513	Y
	Remote		SMART-STAT-HHT	
	Touch Up Paint		TUPB-12	
Standing Pilot Conversion Kits				
	Pilot Assembly NG		446-510A	Y
	Pilot Assembly LP		4021-733	Y
	Thermocouple		446-511	Y
	Thermopile		2103-512	Y
	Valve NG		060-520	Y
	Valve LP		060-521	Y
	Conversion Kit NG	No longer available	NGK-SL36-4	
	Conversion Kit LP	No longer available	LPK-SL36-4	
	Pilot Orifice NG		SRV446-505	Y
	Pilot Orifice LP		SRV446-517	Y
	Regulator NG		SRV060-504	Y
	Regulator LP		SRV060-516	Y
DSI COMPONENTS				
Fenwall System Only				
	Ignitor	No longer available	416-591	
	Module	No longer available	398-592	
	Transformer	No longer available	060-599	
	Valve NG	No longer available	SRV462-500	
	Valve LP	No longer available	SRV462-501	
Ram System Only				
	Ignitor		501-591	Y
	Module	No longer available	501-592	
	Valve NG		476-500	Y
	Valve LP	No longer available	476-501	