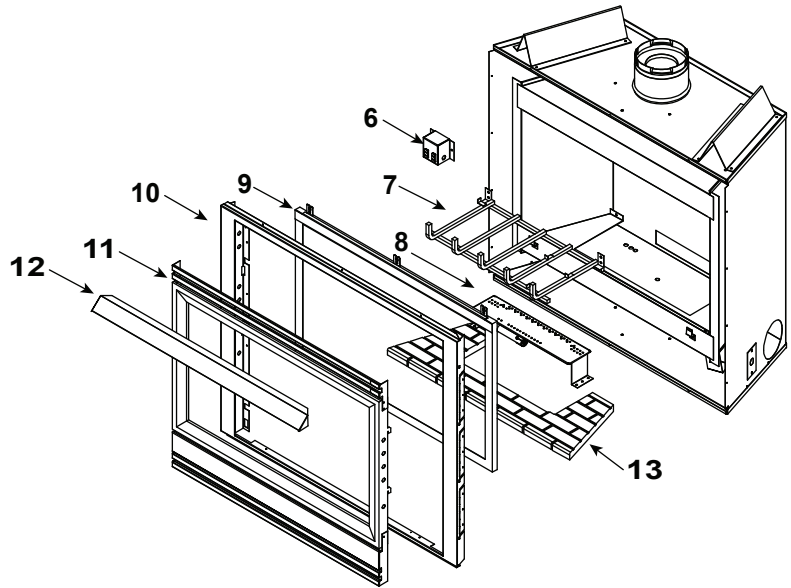
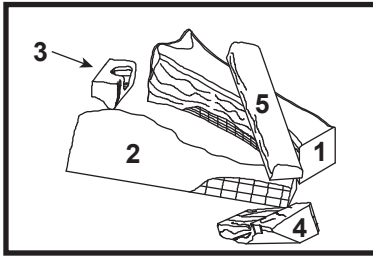


Log Set Assembly



IMPORTANT: THIS IS DATED INFORMATION. Parts must be ordered from a dealer or distributor. **Hearth and Home Technologies does not sell directly to consumers.** Provide model number and serial number when requesting service parts from your dealer or distributor.



Stocked at Depot

ITEM	DESCRIPTION	COMMENTS	PART NUMBER	
	Log Set Assembly (3 piece set)	No longer available	448-701A	
	Log Set Assembly	No longer available	LOGS-SL36S	
1	Log 1	No longer available	SRV459-701	
2	Log 2		SRV459-702	
3	Log 3		SRV446-714	
4	Log 4		SRV446-706	
5	Log 5		SRV459-703	
6	Junction Box	Standing Pilot	100-250A	Y
		No longer available	100-254A	
7	Grate Assembly	No longer available	459-362A	
8	Burner Assembly, NG (When converting to NG, Pre 22682, a new burner is not needed)	No longer available	SRV418-276A-NG	
		Post 22682	446-176A	Y
	Burner Assembly, LP (When converting to NG, Pre 4243, a new burner is not needed)	No longer available	SRV418-276A-LP	
		Post 4243	446-175A	Y
9	Glass Door Assembly NG	Pre 16699	GLA-DV36	Y
		Post 16699	GLA-6FL	Y
	Glass Door Assembly LP	Pre 3407	GLA-DV36	Y
		Post 3407	GLA-6FL	Y
10	Surround	No longer available	414-160	
11	Decorative front	No longer available	DF-36H	
12	Hood		SRV60-143-BK	
13	Base Refractory	No longer available	SRV459-337	
	Touch Up Paint		TUPB-12	



No one builds a better fire

Service Parts

SL-36, SL-36-CDN, SL-36-DSI

Beginning Manufacturing Date: Dec 1994
Ending Manufacturing Date: Aug 1999

IMPORTANT: THIS IS DATED INFORMATION. Parts must be ordered from a dealer or distributor. **Hearth and Home Technologies does not sell directly to consumers.** Provide model number and serial number when requesting service parts from your dealer or distributor.



**Stocked
at Depot**

ITEM	DESCRIPTION	COMMENTS	PART NUMBER	
	Fan Kit		GFK-160A	
	Orifice LP (#54B)	No longer available	040-801	
	Orifice LP (#53A)	Post 4243	060-801	Y
	Orifice NG (#42B)	No longer available	046-800	
	Orifice NG (#42A)	Post 22682	060-800	Y
	Piezo Ignitor		291-513	Y
	Remote		SMART-STAT-HHT	
STANDING PILOT CONVERSION KITS				
	Burner Tube		477-301A	Y
	Flex Ball Valve Assembly		SRV302-320	Y
	On/Off Rocker Switch		060-521A	Y
	Pilot Assembly NG	Pre Mid 1996 (Non 30 Sec)	446-512A	Y
		Post Mid 1996	446-510A	Y
	Pilot Assembly LP	Pre Mid 1996 (Non 30 Sec)	446-513A	Y
		Post Mid 1996	446-511A	Y
	Thermopile		2103-512	Y
	Thermocouple		446-511	Y
	Pilot Tube		SRV446-301	Y
	Valve NG	Pre Mid 1996 (Non 30 Sec)	060-500	Y
		Post Mid 1996	060-520	Y
	Valve LP	Pre Mid 1996 (Non 30 Sec)	060-501	Y
		Post Mid 1996	060-521	Y
	Conversion Kit LP	No longer available	LPK-SL36	
		No longer available	LPK-SL36-4	
	Pilot Orifice NG	No longer available	060-505	
		Post early "97 (4" burner)	SRV446-505	Y
	Pilot Orifice LP	No longer available	060-517	
		Post early "97 (4" burner)	SRV446-517	Y
	Regulator NG		SRV060-504	Y
	Regulator LP		SRV060-516	Y

Additional service parts on following page

