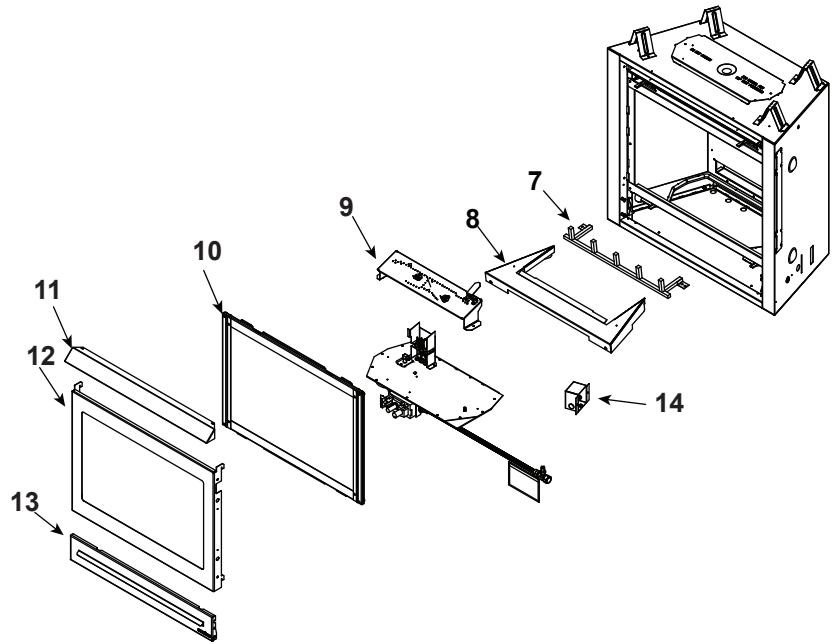


### Log Set Assembly

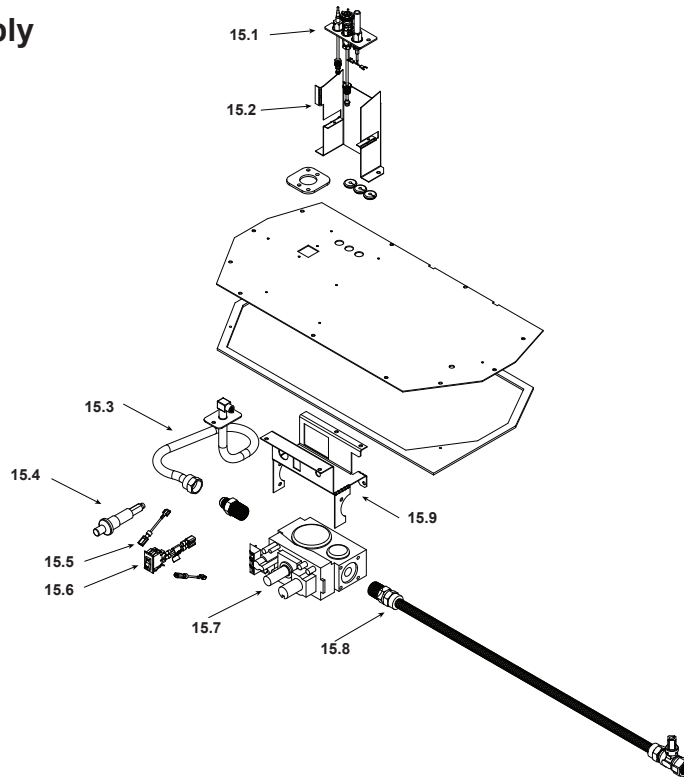


**IMPORTANT: THIS IS DATED INFORMATION.** Parts must be ordered from a dealer or distributor. **Hearth and Home Technologies does not sell directly to consumers.** Provide model number and serial number when requesting service parts from your dealer or distributor.

ITEM	DESCRIPTION	COMMENTS	PART NUMBER
	Log Set Assembly		LOGS-350CE-D
1	Log 1	<b>No longer available, must order complete assembly</b>	SRV327-701
2	Log 2		SRV2033-701
3	Log 3		SRV705-703
4	Log 4		SRV530-716
5	Log 5		SRV438-724
6	Log 6		SRV540-704
7	Grate Assembly	<b>No longer available</b>	SRV2033-013
8	Base Pan	<b>No longer available</b>	SRV2033-105
9	Burner N	Pre Sept 2007	2033-007
		Post Sept 2007	2033-027
	Burner P	Pre Sept 2007	2033-008
		Post Sept 2007	2033-028
	Burner B	Pre Sept 2007	SRV2033-009
		Post Sept 2007	2033-029
10	Glass Door Assembly	<b>No longer available</b>	GLA-350TRS
		Post 0021061383	GLA-3504TRS
11	Hood	<b>No longer available</b>	SRV540-174
12	Door Assembly	Pre 00295123	540-382A
		Post 00295123	2033-020
13	Door Assembly, Lower	<b>No longer available</b>	2033-042
14	Junction Box	<b>No longer available</b>	546-250A

Additional service part numbers may appear on following page.

### #15 Valve Assembly



**IMPORTANT: THIS IS DATED INFORMATION.** Parts must be ordered from a dealer or distributor. **Hearth and Home Technologies does not sell directly to consumers.** Provide model number and serial number when requesting service parts from your dealer or distributor.

ITEM	DESCRIPTION	COMMENTS	PART NUMBER
15.1	Pilot Assembly N	No longer available	529-550A
		Post 0023773193	2033-550
15.1	Pilot Assembly P	No longer available	529-551A
		Post 0023773193	2033-551
15.2	Pilot Bracket	Pre Sept 2007	SRV2033-103-BK
		Post Sept 2007	2033-133
15.3	Flexible Gas Connector		383-302A
15.4	Piezo Ignitor		SRV14D0503
15.5	Wire Assembly	No longer available	049-552A
15.6	On/Off Switch Assembly		060-521A
15.7	Valve N	No longer available	060-524
	Valve P	No longer available	060-526
15.8	Flex Ball Valve Assembly		SRV302-320
15.9	Valve Bracket	No longer Available	529-169
		Post Sept 2007	2118-104
	Orifice N (#44C)		582-844
	Orifice B (# 56C)		582-856
	Orifice P (#55C)		582-855

Additional service part numbers may appear on following page.

