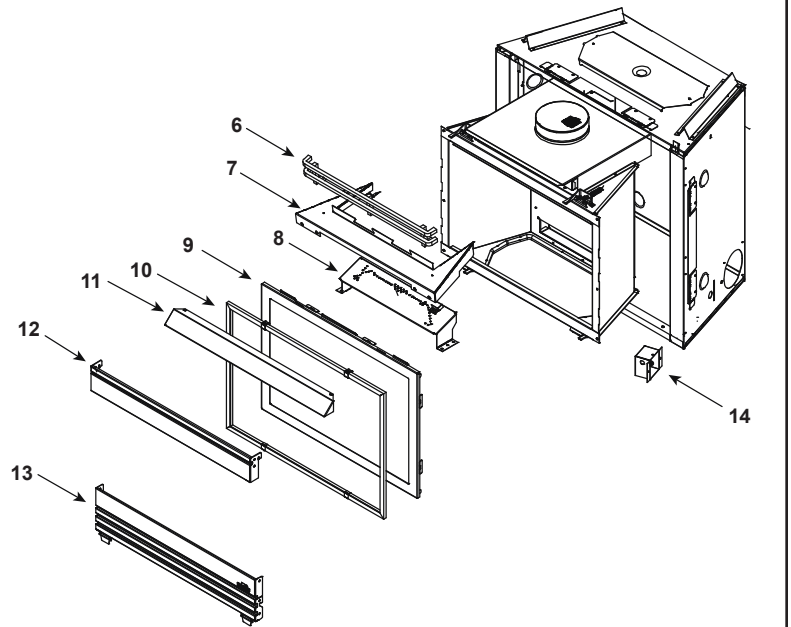
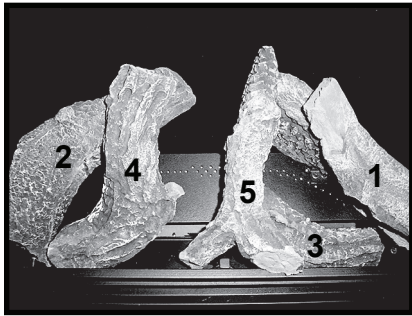


Log Set Assembly



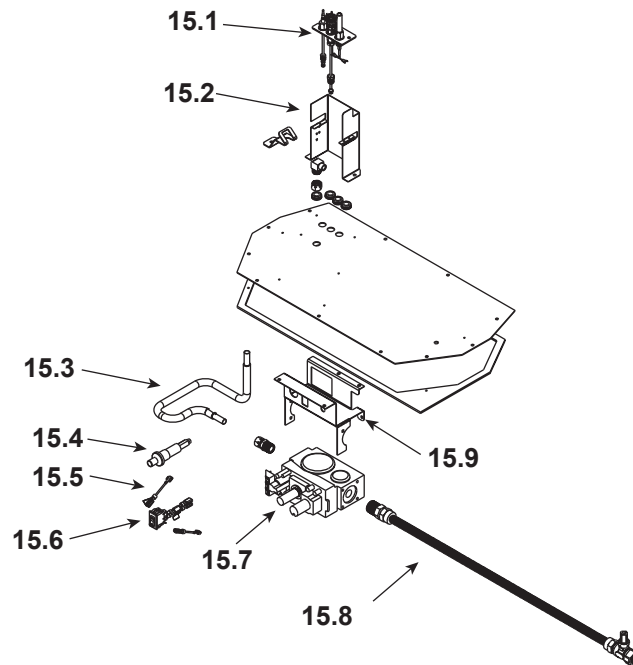
IMPORTANT: THIS IS DATED INFORMATION. Parts must be ordered from a dealer or distributor. **Hearth and Home Technologies does not sell directly to consumers.** Provide model number and serial number when requesting service parts from your dealer or distributor.

ITEM	DESCRIPTION	COMMENTS	PART NUMBER
	Log Set Assembly		LOGS-350CE
1	Log 1	No longer available, Must order complete assembly	SRV720-701
2	Log 2		SRV720-722
3	Log 3		SRV593-703
4	Log 4		SRV571-707
5	Log 5		SRV278-705
6	Grate Assembly	No longer available	720-360A
7	Base Pan	No longer available	720-206
8	Burner N	No longer available	720-176A
	Burner P	No longer available	720-175A
	Burner B	No longer available	720-173A
9	Glass Door Assembly	No longer available	GLA-350TRS
10	Mesh		540-382A
11	Hood	No longer available	SRV540-174
12	Louver, Upper		540-256A
13	Louver, Lower	No longer available	540-257A
14	Junction Box	No longer available	546-250A
	Glass Latch Assembly	Pkg of 2	386-122A/2
	Exhaust Baffle		530-299
	Touch Up Paint		TUP-GBK-12
	Wall Switch (off White)	No longer available	WSK-21
	Wall Switch (White)		WSK-21-W

No one builds a better fire

Beginning Manufacturing Date: Nov 2002
Ending Manufacturing Date: Aug 2003

#15 Valve Assembly



IMPORTANT: THIS IS DATED INFORMATION. Parts must be ordered from a dealer or distributor. **Hearth and Home Technologies does not sell directly to consumers.** Provide model number and serial number when requesting service parts from your dealer or distributor.

ITEM	DESCRIPTION	COMMENTS	PART NUMBER
15.1	Pilot Assembly N		529-540A
	Pilot Assembly P	No longer available	529-541A
15.2	Pilot Bracket	No longer available	720-164
15.3	Flexible Gas Connector		477-301A
15.4	Piezo Ignitor		291-513
15.5	Wire Assembly	No longer available	049-552A
15.6	On/Off Switch Assembly		060-521A
15.7	Valve N	No longer available	060-524
	Valve P	No longer available	060-526
15.8	Flex Ball Valve Assembly		302-330A
15.9	Valve Bracket	No longer available	529-169
	Orifice N (#42C)		582-842
	Orifice B (# 56C)		582-856
	Orifice P (#55C)		582-855
	Conversion Kit N	No longer available	NGK-350TRSCE-C
	Conversion Kit P	No longer available	LPK-350TRSCE-C
	Conversion Kit B	No longer available	BGK-350TRSCE-C
	Pilot Orifice N		SRV529-512
	Pilot OrificeP/ B		SRV200-2630
	Regulator N		SRV230-1570
	Regulator P/B		SRV230-1520