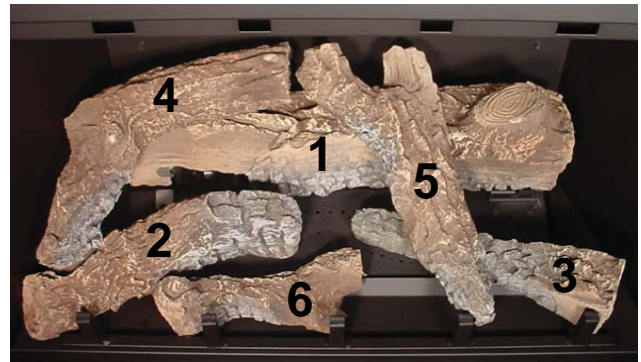


Log Set Assembly



Part number list on following page.



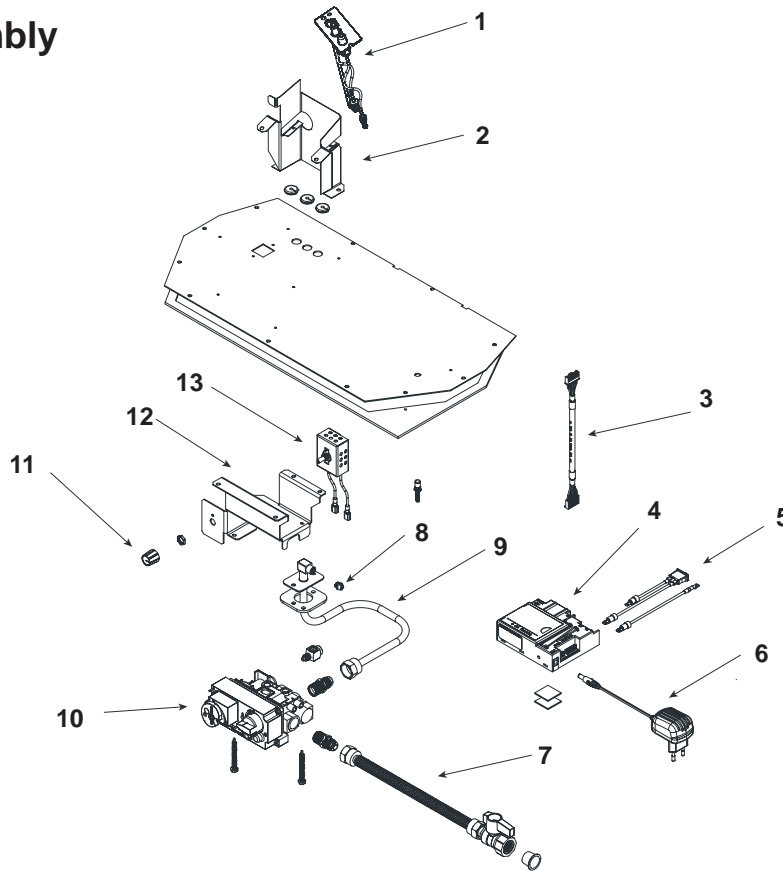
No one builds a better fire

IMPORTANT THIS IS DATED INFORMATION: When Requesting service or replacement parts for your appliance please provide model number and serial number. All parts listed in this manual may be ordered from an authorized dealer.

ITEM	DESCRIPTION	SERIAL #	PART NUMBER
	Log Set Assembly		LOGS-350CE-D
1	Log #1		SRV327-701
2	Log #2		SRV2033-701
3	Log #3		SRV705-703
4	Log #4		SRV530-716
5	Log #5		SRV438-724
6	Log #6		SRV540-704
7	Grate		2033-013
8	Base Pan		2033-105
9	Burner Assembly N		2089-010
	Burner Assembly P		2089-012
10	Glass Door Assembly	Pre 0021061383	GLA-350TRS
		Post 0021061383	GLA-3504TRS
11	Hood		SRV540-174
12	Dress Guard		2033-020
13	Lower Door		2033-021
14	Switch Sensor		046-530
15	Junction Box, 240V		2078-027
16	Power Cord, 240V		546-251A
17	Blower Assembly 240V		100-505A
	Interior Top Heat Shield		2089-109
	Mesh Assembly		540-301A
	Exhaust Restrictor		2089-299
	Control Wire		2098-148
	Wire Harness 20 in.		107-558A
	Mineral Wool		050-721
	Glass Latch Assembly		386-122A
	Heat Shield (Control Module)		2078-121
	Multi Function Remote Control		REM-DLX-CE
	Gasket Assembly Includes: Burner Neck, Shutter Bracket, Vent, Seal Cap, Valve Plate and Air Passage Gaskets.		2113-080
	Conversion Kits		
	Propane/Butane to Natural		PB2N-350I-AUE
	Propane to Butane		P2B-350I-AUE
	Conversion Kit Natural to Propane/Butane		N2PB-350I-AUE
	Pilot Orifice N .0181		2098-518
	Pilot Orifice B .0121		2098-512

Additional service parts appear on following page.

Valve Assembly



IMPORTANT THIS IS DATED INFORMATION: When Requesting service or replacement parts for your appliance please provide model number and serial number. All parts listed in this manual may be ordered from an authorized dealer.

ITEM	DESCRIPTION	SERIAL #	PART NUMBER
1	Pilot Assembly N		2098-050
	Pilot Assembly P		2098-051
2	Pilot Bracket		2089-104
3	Control Cable		2098-143
4	Module, Maxitrol		2098-142
5	Switch Assembly		2098-145
6	6 Volt Transformer		2098-144
7	18 inch Flex		2098-320A
8	Orifice N (#44C)		582-844
	Orifice P (#55C)		582-855
	Orifice B (#56C)		582-856
9	18 in Flex Tube Assembly		383-320A
10	Valve N		2098-134
	Valve P		2098-135
11	Rheostat Knob		100-512
12	Valve Bracket		2089-120
13	Rheostat		491-510A