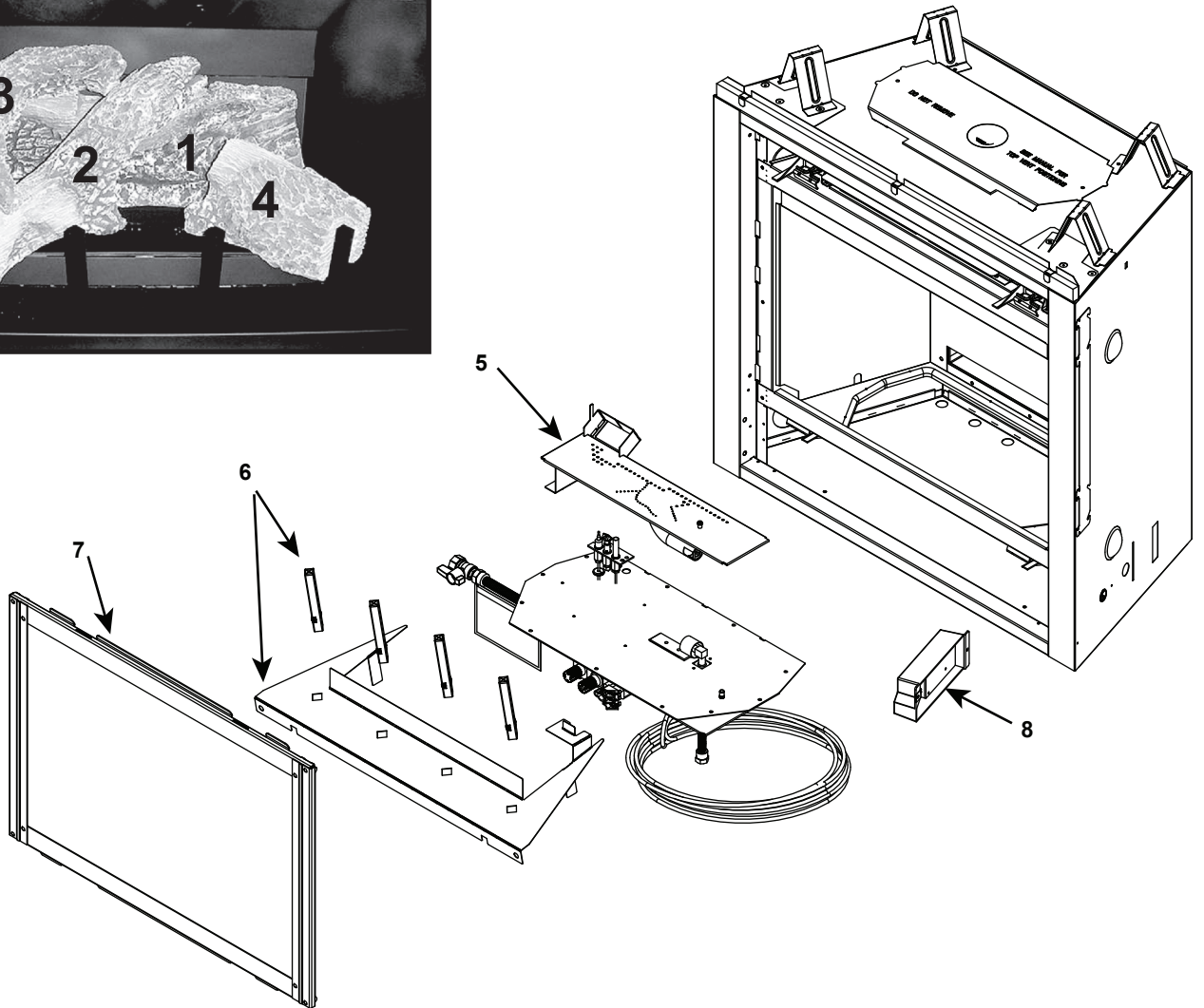


Log Set Assembly



IMPORTANT: THIS IS DATED INFORMATION. Parts must be ordered from a dealer or distributor. **Hearth and Home Technologies does not sell directly to consumers.** Provide model number and serial number when requesting service parts from your dealer or distributor.



**Stocked
at Depot**

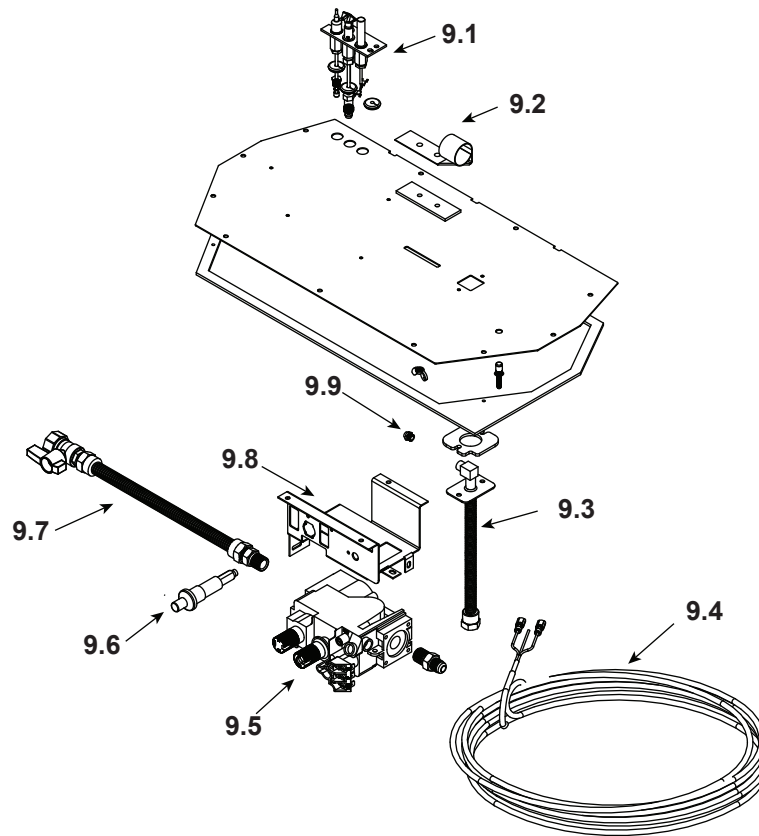
ITEM	DESCRIPTION	COMMENTS	PART NUMBER	
	Log Set Assembly		LOGS-350TRS-D	Y
1	Log 1	No longer available, Must order complete assembly	SRV2113-701	
2	Log 2		SRV2113-702	
3	Log 3		SRV2113-704	
4	Log 4		SRV2113-703	
5	Burner Assembly		2113-007	Y
6	Base Pan/Grate Assembly		2113-015	
7	Glass Door Assembly		GLA-3504TRS	Y
8	Junction Box		SRV4021-013	Y

Additional service part numbers appear on following page.

No one builds a better fire

Beginning Manufacturing Date: June 2007
Ending Manufacturing Date: Sept 2007

#9 Valve Assembly



IMPORTANT: THIS IS DATED INFORMATION. Parts must be ordered from a dealer or distributor. **Hearth and Home Technologies does not sell directly to consumers.** Provide model number and serial number when requesting service parts from your dealer or distributor.



**Stocked
at Depot**

ITEM	DESCRIPTION	COMMENTS	PART NUMBER	
9.1	Pilot Assembly NG		2103-010	Y
	Pilot Assembly LP		2103-011	Y
	Pilot Tube		SRV485-301	Y
	Thermocouple		2103-511	Y
	Thermopile		2103-512	Y
9.2	Shutter Bracket Assembly		2118-121	Y
9.3	Flex Tube Assembly		SRV7000-156	Y
9.4	Thermostat Wire Assembly		2045-024	Y
9.5	Valve NG		SRV230-0710	Y
	Valve LP		SRV230-0720	Y
9.6	Piezo Ignitor		SRV14D0503	Y
9.7	Flex Ball Valve Assembly		SRV302-320	Y
9.8	Valve Bracket		2118-104	
9.9	Orifice NG (#44C)		582-844	Y
	Orifice LP (#55C)		582-855	Y

Additional service part numbers appear on following page.

