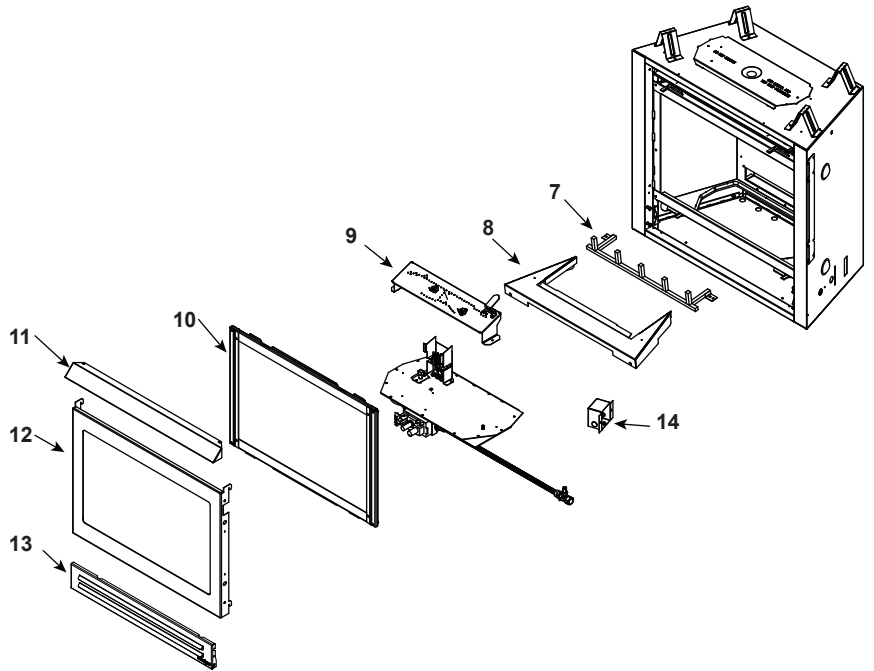


Log Assembly



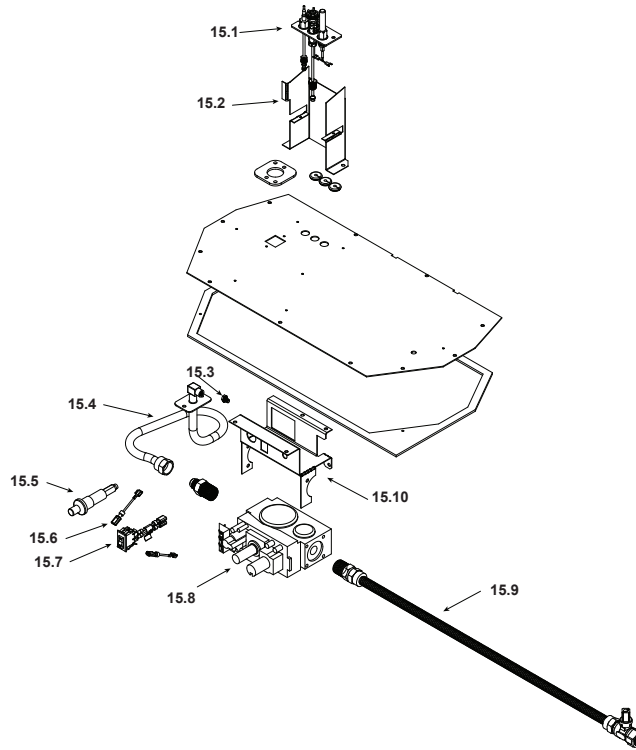
IMPORTANT: THIS IS DATED INFORMATION. Parts must be ordered from a dealer or distributor. **Hearth and Home Technologies does not sell directly to consumers.** Provide model number and serial number when requesting service parts from your dealer or distributor.

| ITEM | DESCRIPTION | COMMENTS | PART NUMBER |
|------|----------------------|--|--------------|
| | Log Set Assembly | | LOGS-350CE-D |
| 1 | Log 1 | No longer available, must order complete assembly | SRV327-701 |
| 2 | Log 2 | | SRV2033-701 |
| 3 | Log 3 | | SRV705-703 |
| 4 | Log 4 | | SRV530-716 |
| 5 | Log 5 | | SRV438-724 |
| 6 | Log 6 | | SRV540-704 |
| 7 | Grate Assembly | No longer available | SRV2033-013 |
| 8 | Base Pan | No longer available | SRV2033-105 |
| 9 | Burner N | Pre Sept 2007 | 2033-007 |
| | | Post Sept 2007 | 2033-027 |
| | Burner P | Pre Sept 2007 | 2033-008 |
| | | Post Sept 2007 | 2033-028 |
| | Burner B | Pre Sept 2007 | SRV2033-009 |
| | | Post Sept 2007 | 2033-029 |
| 10 | Glass Door Assembly | No longer available | GLA-350TRS |
| | | Post 0021061383 | GLA-3504TRS |
| 11 | Hood | No longer available | SRV540-174 |
| 12 | Door Assembly | Pre 00295123 | 540-382A |
| | | Post 00295123 | 2033-020 |
| 13 | Door Assembly, Lower | No longer available | 2033-042 |
| 14 | Junction Box | No longer available | 546-250A |

No one builds a better fire

Beginning Manufacturing Date: Oct 2003
Ending Manufacturing Date: Sept 2013

#15 Valve Assembly



IMPORTANT: THIS IS DATED INFORMATION. Parts must be ordered from a dealer or distributor. **Hearth and Home Technologies does not sell directly to consumers.** Provide model number and serial number when requesting service parts from your dealer or distributor.

| ITEM | DESCRIPTION | COMMENTS | PART NUMBER |
|-------|--------------------------|---------------------|----------------|
| 15.1 | Pilot Assembly N | No longer available | 529-550A |
| | | Post 0023573193 | 2033-550 |
| 15.1 | Pilot Assembly P | No longer available | 529-551A |
| | | Post 0023573193 | 2033-551 |
| 15.2 | Pilot Bracket | Pre Sept 2007 | SRV2033-103-BK |
| | | Post Sept 2007 | 2033-133 |
| 15.3 | Orifice N (# 44C) | | 582-844 |
| | Orifice B (# 56C) | | 582-856 |
| | Orifice P (# 55C) | | 582-855 |
| 15.4 | Flexible Gas Connector | | 383-302A |
| 15.5 | Piezo Ignitor | | SRV14D0503 |
| 15.6 | Wire Assembly | No longer available | 049-552A |
| 15.7 | On/Off Switch Assembly | | 060-521A |
| 15.8 | Valve N | No longer available | 060-524 |
| | Valve P | No longer available | 060-526 |
| 15.9 | Flex Ball Valve Assembly | | 531-320A |
| 15.10 | Valve Bracket | No longer available | 529-169 |
| | | Post Sept 2007 | 2118-104 |

Additional service part numbers appear on following page.

