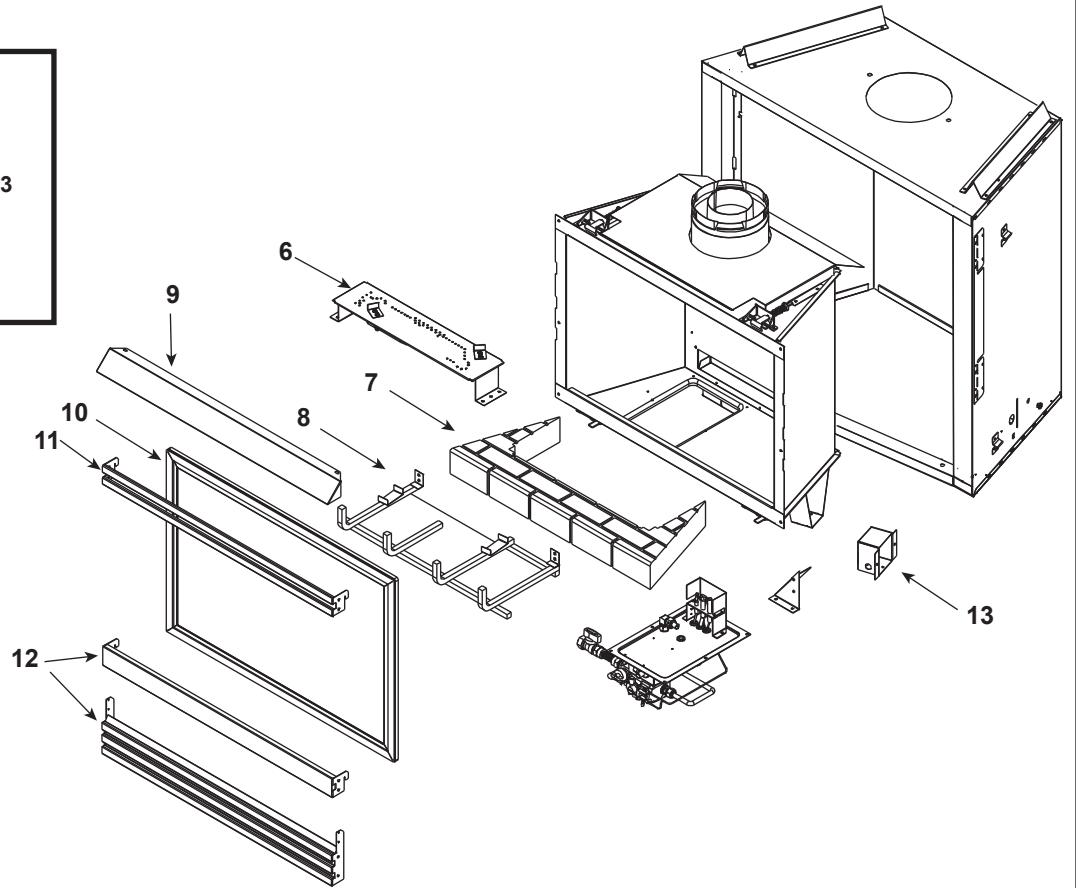
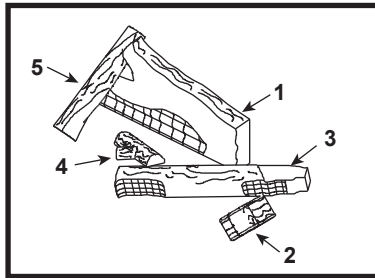


Log Set Assembly



IMPORTANT: THIS IS DATED INFORMATION. Parts must be ordered from a dealer or distributor. **Hearth and Home Technologies does not sell directly to consumers.** Provide model number and serial number when requesting service parts from your dealer or distributor.



Stocked at Depot

ITEM	DESCRIPTION	COMMENTS	PART NUMBER	Stocked at Depot
	Log Set Assembly		LOGS-350	Y
1	Log 1	No longer available, Must order complete assembly	SRV530-701	
2	Log 2		SRV530-704	
3	Log 3		SRV540-702	
4	Log 4		SRV530-705	
5	Log 5		SRV530-703	
6	Burner NG		540-234A	Y
	Burner LP		540-235A	Y
7	Base Refractory	No longer available	540-206	
8	Grate Assembly	No longer available	540-360A	
9	Hood	No longer available	SRV540-174	
10	Glass Door Assembly	No longer available	GLA-350	
11	Louver Assembly Top	No longer available	540-254A	
12	Louver Assembly Bottom	No longer available	540-246A	
13	Junction Box		100-250A	Y



Service Parts

SL-350DVT, SL-350DVT-DSI

No one builds a better fire

Beginning Manufacturing Date: May 1997
Ending Manufacturing Date: March 2001

IMPORTANT: THIS IS DATED INFORMATION. Parts must be ordered from a dealer or distributor. **Hearth and Home Technologies does not sell directly to consumers.** Provide model number and serial number when requesting service parts from your dealer or distributor.



Stocked at Depot

ITEM	DESCRIPTION	COMMENTS	PART NUMBER	
	Fan Kit		GFK-160A	
	Mineral Wool		050-721	
	Remote		SMART-STAT-HHT	
	Touch Up Paint		TUPB-12	
STANDING PILOT Components				
	Burner Tube		477-301A	Y
	Flex Ball Valve Assembly		SRV302-320	Y
	On/Off Rocker Switch		060-521A	Y
	Orifice NG (#45A)	No longer available	062-801	
	Orifice LP (#55A)	No longer available	041-801	
	Piezo Ignitor		291-513	Y
	Pilot Assembly NG		2103-010	Y
	Pilot Assembly LP		2103-011	Y
	Thermocouple		446-511	Y
	Thermopile		2103-512	Y
	Valve NG		060-520	Y
	Valve LP		060-521	Y
	Conversion Kit NG	No longer available	NGK-35DV	
	Conversion Kit LP	No longer available	LPK-35DV	
	Pilot Orifice NG		SRV446-505	Y
	Pilot Orifice LP		SRV446-517	Y
	Regulator NG		SRV060-504	Y
	Regulator LP		SRV060-516	Y
DSI Components				
	Ignitor		501-591	Y
	Junction Box	No longer available	100-254A	
	Module	No longer available	501-592	
	Valve LP	No longer available	492-501	
	Valve NG		492-500	Y
	Conversion Kit NG	No longer available	NGK-35DV-DSI	
	Conversion Kit LP	No longer available	LPK-35DV-DSI	