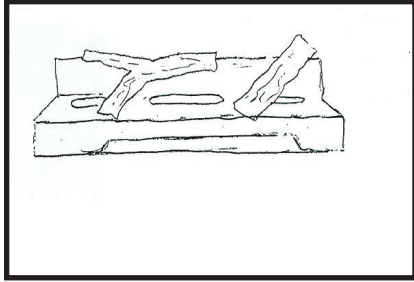
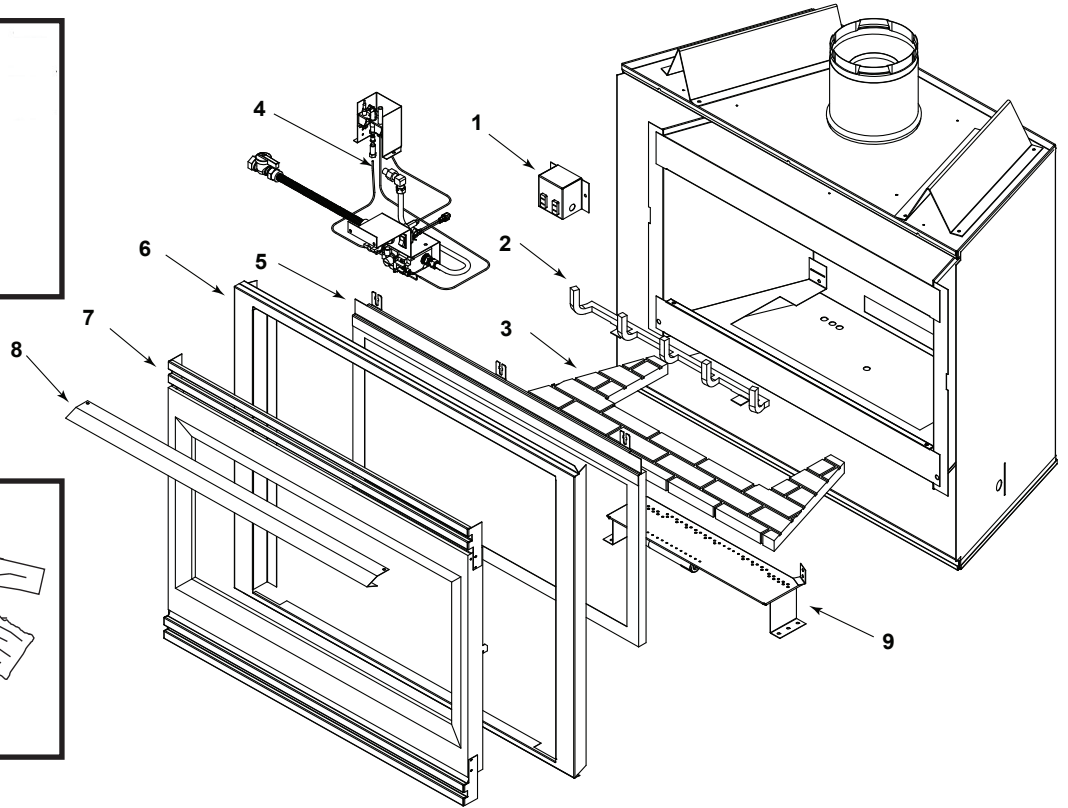
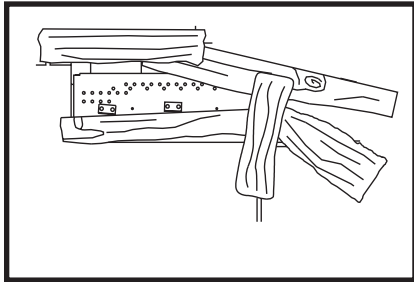


Log Set Assembly

LOGS-SL32



LOGS-SL32S



IMPORTANT: THIS IS DATED INFORMATION. Parts must be ordered from a dealer or distributor. **Hearth and Home Technologies does not sell directly to consumers.** Provide model number and serial number when requesting service parts from your dealer or distributor.



Stocked at Depot

ITEM	DESCRIPTION	COMMENTS	PART NUMBER		
	Log Set Assembly	3 Logs / Refractory	No longer available	LOGS-SL32	
		5 Logs / Grate	No longer available	LOGS-SL32S	
1	Junction Box			100-250A	Y
2	Grate Assembly		No longer available	454-360A	
3	Refractory	LOGS-SL32	No longer available	SRV428-737	
		LOGS-SL32S	No longer available	SRV454-337	
4	Burner Orifice NG (#44A)		No longer available	041-800	
	Burner Orifice LP (#54A)		No longer available	061-801	
5	Glass Door Assembly		No longer available	GLA-32TRS	
6	Front Surround		No longer available	428-130	
7	Decorative Front		No longer available	DF-32	
8	Hood		No longer available	SRV429-143	
9	Burner Assembly NG		No longer available	429-176A	
			No longer available	454-276A	
	Burner Assembly LP		No longer available	429-176A	
			No longer available	454-276A	



Service Parts

SL-32S

No one builds a better fire

Beginning Manufacturing Date: Feb 1996
Ending Manufacturing Date: Aug 1999

IMPORTANT: THIS IS DATED INFORMATION. Parts must be ordered from a dealer or distributor. **Hearth and Home Technologies does not sell directly to consumers.** Provide model number and serial number when requesting service parts from your dealer or distributor.



Stocked at Depot

ITEM	DESCRIPTION	COMMENTS	PART NUMBER	Stocked at Depot
	Burner Tube		477-301A	Y
	Fan Kit		GFK-160A	
	ON/OFF Rocker Switch		060-521A	Y
	Piezo Ignitor		291-513	Y
	Pilot Assembly NG		446-510A	Y
	Pilot Assembly LP		446-511A	Y
	Thermocouple		446-511.	Y
	Thermopile		2103-512	Y
	Pilot Tube		SRV446-301	Y
	Remote		SMART-STAT-HHT	
	Touch Up Paint		TUPB-12	
	Valve NG	Pre 2185	060-522	Y
		Post 2184	060-520	Y
	Valve LP	Pre 1291	060-523	Y
		Post 1290	060-521	Y
	Conversion Kit NG	No longer available Pre 2185	NGK-32S	
		No longer available Post 2184	NGK-SL32-4	
	Conversion Kit LP	No longer available Pre 1291	LPK-32S	
		No longer available Post 1290	LPK-SL32-4	
	Pilot Orifice NG		SRV446-505	Y
	Pilot OrificeLP		SRV446-517	Y
	Regulator NG	Pre 2185	SRV060-518	Y
		Post 2184	SRV060-504	Y
	Regulator LP	Pre 1291	060-519	Y
		Post 1290	SRV060-516	Y