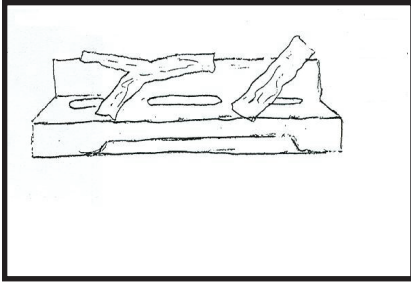
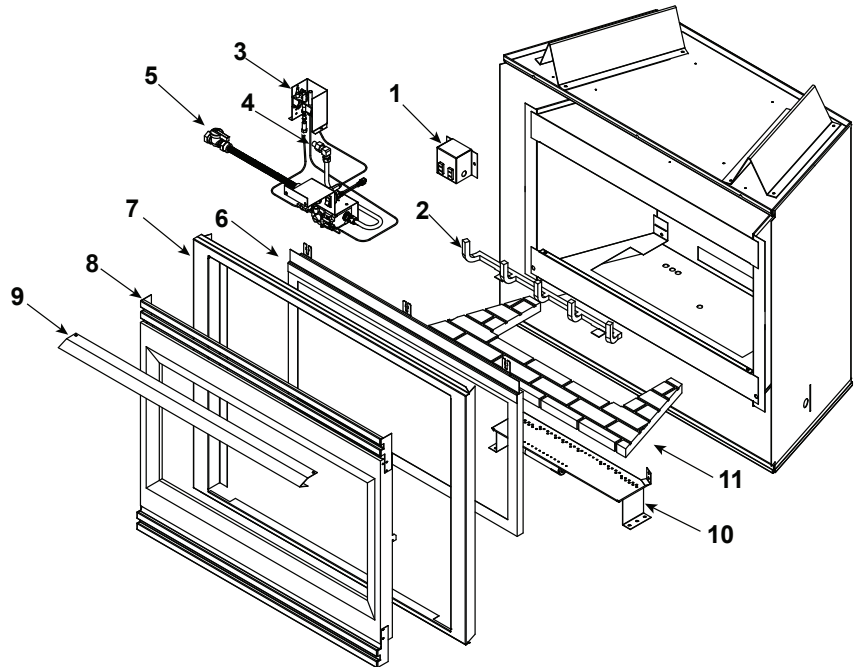
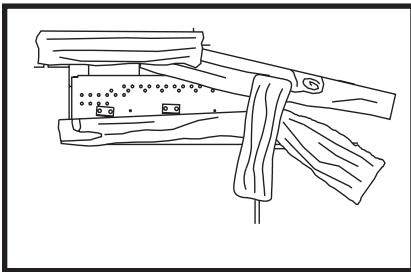


Log Set Assemblies

LOGS-SL32



LOGS-SL32S



IMPORTANT: THIS IS DATED INFORMATION. Parts must be ordered from a dealer or distributor. **Hearth and Home Technologies does not sell directly to consumers.** Provide model number and serial number when requesting service parts from your dealer or distributor.



Stocked at Depot

ITEM	DESCRIPTION	COMMENTS		PART NUMBER	
	Log Set Assembly	3 Logs / Refractory	No longer available	LOGS-SL32	
		5 Logs / Grate	No longer available	LOGS-SL32S	
1	Junction Box		Standing Pilot	100-250A	Y
	Junction Box		No longer available	100-254A	
2	Grate Assembly		No longer available	454-360A	
3	Pilot Assembly NG			446-510A	Y
	Pilot Assembly LP			446-511A	Y
	Thermocouple			446-511	Y
	Thermopile			2103-512	Y
4	Burner Orifice NG (#44A)		No longer available	041-800	
	Burner Orifice LP (#54)		No longer available	061-801	
5	Flex Ball Valve Assembly			SRV302-320	Y
6	Glass Door Assembly			GLA-SL32	Y
7	Surround Front		No longer available	428-130	
8	Decorative Front		No longer available	DF-32	
9	Hood		No longer available	SRV429-143	
10	Burner NG		No longer available	SRV454-176A	
			No longer available	454-276A	
	Burner LP		No longer available	SRV454-176A	
			No longer available	454-276A	
11	Refractory		No longer available	SRV454-337	
			No longer available	SRV428-737	



Service Parts

SL-32GDV & SL-32GDV-DSI

No one builds a better fire

Beginning Manufacturing Date: Nov 1996
Ending Manufacturing Date: April 1998

IMPORTANT: THIS IS DATED INFORMATION. Parts must be ordered from a dealer or distributor. **Hearth and Home Technologies does not sell directly to consumers.** Provide model number and serial number when requesting service parts from your dealer or distributor.



Stocked at Depot

ITEM	DESCRIPTION	COMMENTS		PART NUMBER	Stocked at Depot
	Burner Tube			477-301A	Y
	Fan Kit			GFK-160A	
	Piezo Ignitor			291-513	Y
	Remote			SMART-STAT-HHT	
	Touch Up Paint			TUPB-12	
STANDING PILOT IGNITION ONLY					
	Valve NG			060-520	Y
	Valve LP			060-521	Y
	Conversion Kit NG	No longer available	Pre 4782	NGK-32GDV	
		No longer available	Post 4782	NGK-SL32-4	
	Conversion Kit LP	No longer available	Pre 1501	LPK-32GDV	
		No longer available	Post 1501	LPK-SL32-4	
	Pilot Orifice NG			SRV446-505	Y
	Pilot Orifice LP			SRV446-517	Y
	Regulator NG		Pre 4782	SRV060-518	Y
			Post 4782	SRV060-504	Y
	Regulator LP		Pre 1501	060-519	Y
			Post 1501	SRV060-516	Y
DSI IGNITION ONLY					
	Ignitor			501-591	Y
	Module		No longer available	501-592	
	Valve NG, LP			476-500	Y