

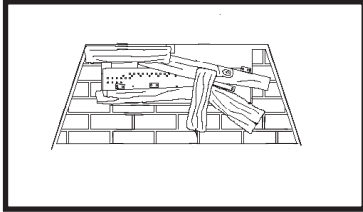
No one builds a better fire

32" Gas Fireplace - DV

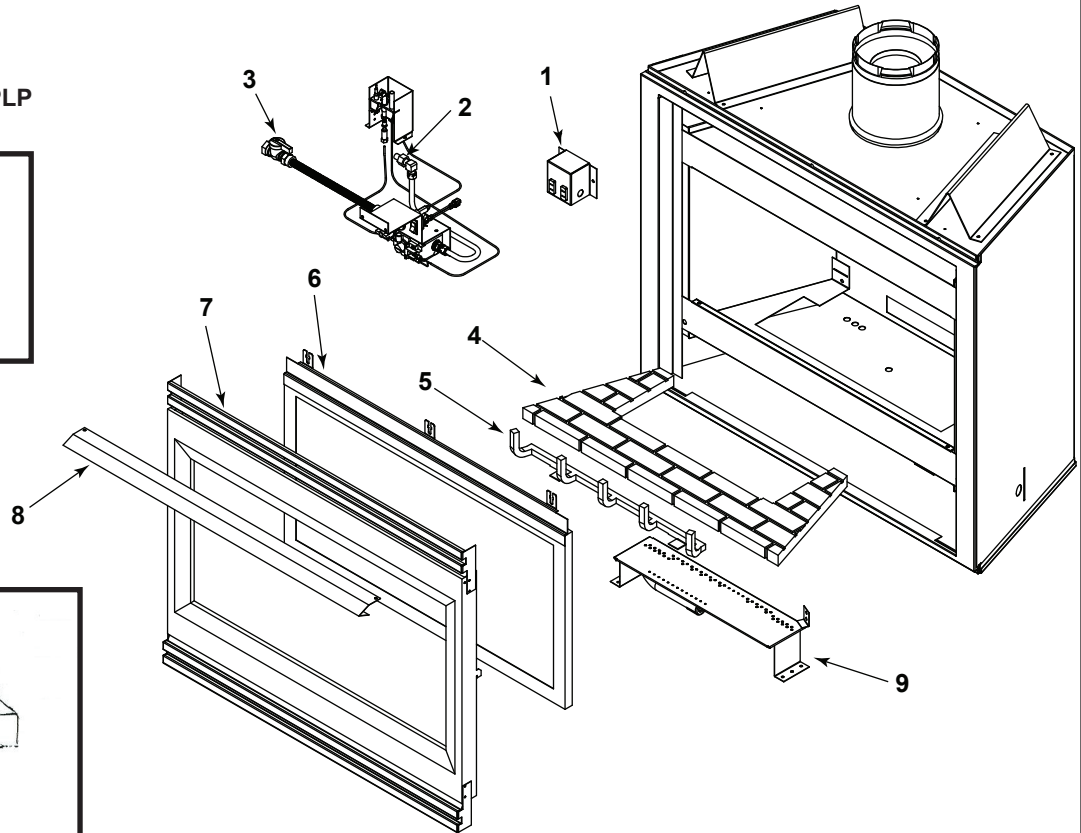
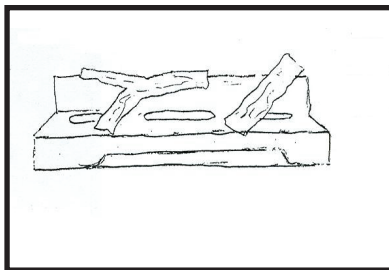
Beginning Manufacturing Date: July 1995  
Ending Manufacturing Date: Aug 1999

### Log Set Assembly

Post March 1997  
454-LOGUPNG / 454- LOGUPLP  
No longer available



Pre March 1997  
LOGS-SL32



IMPORTANT: THIS IS DATED INFORMATION. Parts must be ordered from a dealer or distributor. **Hearth and Home Technologies does not sell directly to consumers.** Provide model number and serial number when requesting service parts from your dealer or distributor.



**Stocked at Depot**

ITEM	DESCRIPTION	COMMENTS	PART NUMBER	Stocked at Depot
1	Junction Box		100-250A	Y
2	Burner Orifice Rear NG	#44B	No longer available 428-800	
		#44A	No longer available 041-800	
2	Burner Orifice LP	#55B	No longer available 045-801	
		#54A	No longer available 061-801	
3	Flex Ball Valve Assembly		SRV302-320	
4	Base Refractory		No longer available SRV454-337	
			No longer available SRV428-737	
5	Log Grate	No longer available	454-360A	
6	Glass Door Assembly		GLA-SL32	Y
7	Decorative Front	No longer available	DF-32	
8	Hood	No longer available	SRV429-143	
9	Burner NG		No longer available 454-LOGUPNG	
			No longer available 454-276A	
9	Burner LP		No longer available 454-LOGUPLP	
			No longer available 454-276A	

No one builds a better fire

Beginning Manufacturing Date: July 1995  
Ending Manufacturing Date: Aug 1999

IMPORTANT: THIS IS DATED INFORMATION. Parts must be ordered from a dealer or distributor. **Hearth and Home Technologies does not sell directly to consumers.** Provide model number and serial number when requesting service parts from your dealer or distributor.



**Stocked  
at Depot**

ITEM	DESCRIPTION	COMMENTS	PART NUMBER		
	Fan Kit		GFK-160A		
	Touch Up Paint		TUPB-12		
<b>Standing Pilot Components</b>					
	Burner Tube		477-301A	Y	
	ON/OFF, Switch		SRV32D0232	Y	
	Piezo Ignitor		291-513	Y	
	Pilot Assembly NG	Pre Mid 1996	446-512A	Y	
		Post Mid 1996	446-510A	Y	
	Pilot Assembly LP	Pre Mid 1996	446-513A	Y	
		Post Mid 1996	446-511A	Y	
	Thermocouple	(Only used on 30 sec. valve)	446-511	Y	
	Thermopile		2103-512	Y	
	Remote		SMART-STAT-HHT		
	Valve NG	Non 30 sec	Pre Mid 1996	060-500	Y
			Post Mid 1996	060-520	Y
	Valve LP	Non 30 sec	Pre Mid 1996	060-501	Y
			Post Mid 1996	060-521	Y
	Conversion Kit NG	No longer available	Pre 11345	NGK-SL32	
		No longer available	Post 11344	NGK-SL32-4	
	Conversion Kit LP	No longer available	Pre 2320	LPK-SL32	
		No longer available	Post 2319	LPK-SL32-4	
	Pilot Orifice NG		SRV446-505	Y	
	Pilot Orifice LP		SRV446-517	Y	
	Regulator NG		SRV060-504	Y	
	Regulator LP		SRV060-516	Y	
<b>DSI Components</b>					
			<b>Fenwall</b>	<b>Ram</b>	
	Ignitor		No longer available	501-591	
	Junction Box		No longer available	No longer available	
	Module		No longer available	No longer available	
	Transformer		No longer available	No longer available	
	Valve LP		No longer available	Flip Brass Fitting	Y
	Valve NG		No longer available	476-500	Y