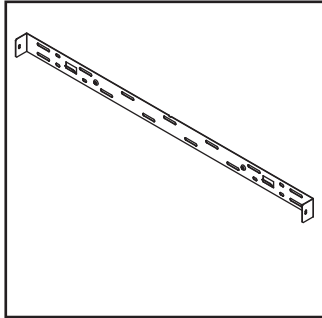
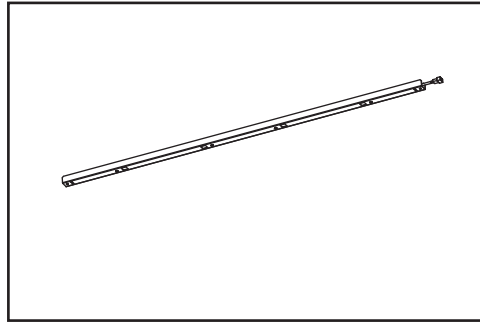


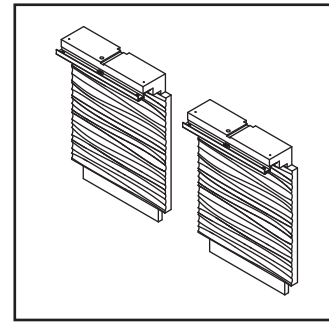
#1 Wall Mount Bracket



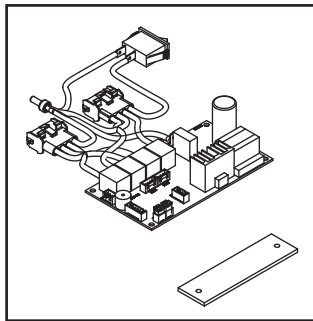
#2 Mantel LED Lights



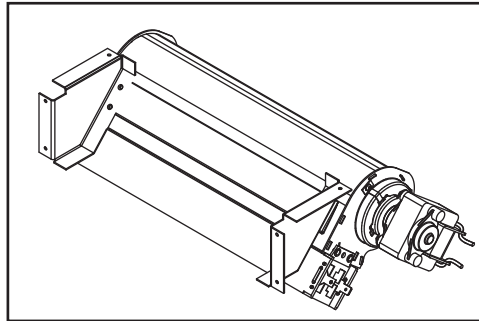
#3 Mantel LED Side Panels



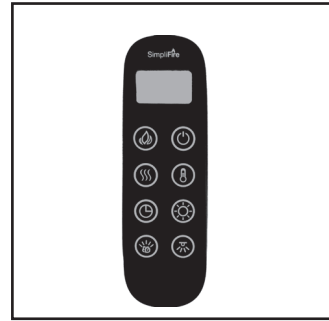
#4 PCB Board



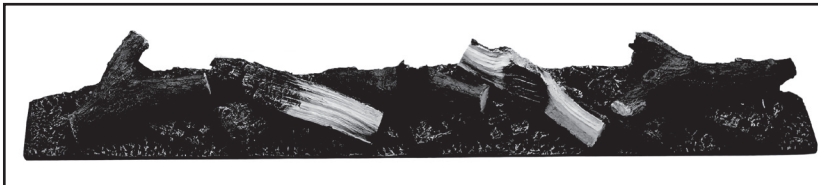
#5 Heater



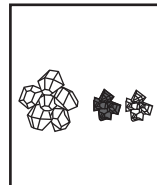
#6 Remote



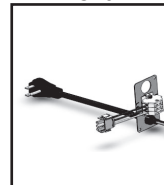
#7 Alpine Timber Log Set



#8 Crystal Media



#9 Power Cord



IMPORTANT: THIS IS DATED INFORMATION. Parts must be ordered from a dealer or distributor. **Hearth and Home Technologies does not sell directly to consumers.** Provide model number and serial number when requesting service parts from your dealer or distributor.



Stocked at Depot

ITEM	DESCRIPTION	COMMENTS	PART NUMBER	
1	Wall Mount Bracket		BRACKET-FMT36	Y
2	Mantel Accent LED Lights	For SF-FM43-WH	LED-FM43	Y
3	Mantel Side Panels w/Accent LEDs	For SF-FM50-WH	LED-FM50-WH	Y
		For SF-FM60-WH	LED-FM60-WH	Y
4	PCB Board		PCB-FMT	Y
5	Heater Assembly		HEATER-FMT	Y
6	Remote		REMOTE-AC	Y
7	Alpine Timber Log Set	One-piece	LOGS-FMT36	Y
8	Crystal Media (clear small, clear large, & black small)		CRYSTAL-SCION	
9	Power Cord		PLUGIN-ALLP	Y
	Format Hardware Kit (appliance & mantel)		HDWR-FORMAT	