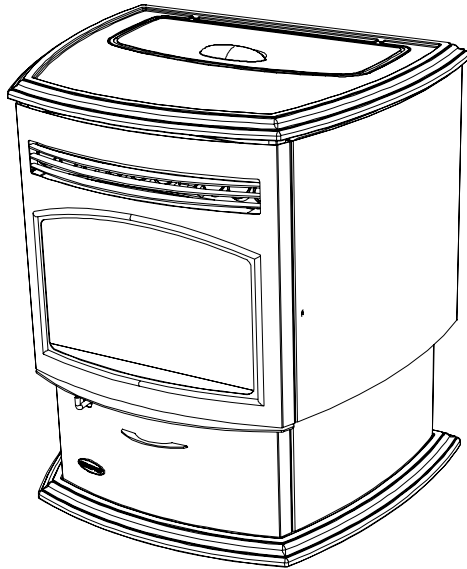


QUADRA-FIRE®

SERVICE PARTS and EXPLODED DRAWINGS



SANTA FE PELLETT STOVE

SPECS

Emissions Rating:	0.7 grams per hour
BTU Output:	8,000 to 30,000 / hr
Heating Capacity:	up to 1,500 sq ft
Vent Size:	3 or 4 inch "L" or "PL" venting
Hopper Capacity:	52 lbs
Fuel:	Wood Pellets or Shelled Corn
Shipping Weight:	240 lbs

WARRANTY

Porcelain	1 yr, Labor 1 yr
Electrical:	2 yrs , Labor 2 yrs
Unit Construction:	Lifetime, Labor 5 yrs
Items Covered:	Plating, doors, glass damaged by thermal breakage, steel baffle supports, steel and ceramic baffles, manifold tubes
Items NOT Covered:	Gasketing, glass, firebrick, ceramic insulating material, surface finish on appliance
Revision Dates:	Apr 2002: Electrical 1 yr to 2 yr Nov 2002: Parts 5 to 10 yrs; Accessory 2 yrs after product is discontinued; Quad's sold after 5-1-02. Apr 2005: Igniters 2 yrs

TESTING STANDARDS

MODEL:	Santa Fe Freestanding Stove
LABORATORY:	OMNI Test Laboratories, Inc
REPORT NO.	061-S-53-2
TYPE:	Solid Fuel Room Heater/Pellet Fuel-Burning Type
STANDARD:	ASTM E1509 and ULC/ORD-C1482 Room Heater Pellet Fuel Burning Type and (UM) 84-HUD, Mobile Home Approved

STATE APPROVALS

STATE	DATE APPROVED
Colorado	9-13-05

CONTENTS

Appliance SKUs & Product History	2
Exploded Drawings	3-4
Service Parts List	5-7
Component Parts Locations	8
Installation Diagrams.....	9

APPLIANCE

SKU No.	Appliances	Begin Mfg	Begin SN	End Mfg	End SN	Comments
SANTA-FE	Santa Fe Stove, MBK	06-02-03	1625001	04-16-04	1628122	Retired
SANTAFE-B	Santa Fe Stove, MBK	04-22-05	1628125	10-11-05	007-1632913	New hinged side curtains with magnetic catch and new air flow system. Retired
SANTAFE-B1	Santa Fe Stove, MBK	10-12-05	007-1632914			Current production

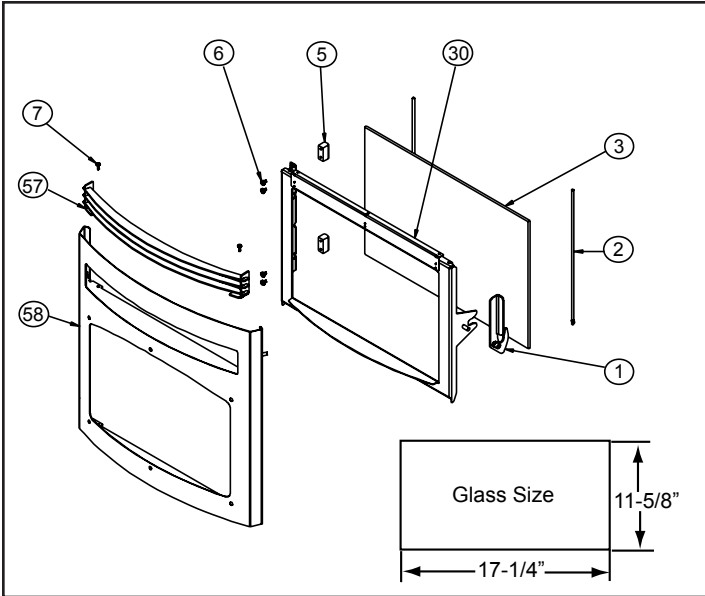
PRODUCT HISTORY

Date	Serial No.	ECO	Description of Change
07-28-03	1625614	45088	Changed to one-piece igniter bracket
10-30-03	1626628	46792	Changed the side curtains so they do not come off so easily
12-05-03	1627594	47673	New snap disc bracket on feed tube to prevent twisting out of shape
03-03-04	1628125	46661	Changed to one-piece feed tube bottom flange
05-24-04	1628371	48537	Change the feed assembly rod to one piece. Will not fit on older units.
06-10-04	1628500	48801	Increase flue hole size making flue pipe easier to install
09-22-04	none	48894	Modify door hinge bracket making the door easier to latch
10-22-04	1629610	48943	Change to retainer rods to secure glass
12-10-04	1630089	49763	Replaced welded stop on firepot floor to a bolt
03-01-05	1630508	50782	Change rear brick hangers and baffle for improved air flow
03-08-05	1630595	49731	Added crimped ends to firepot pull rod assembly
05-04-05	1631080	51006	Added extra flange to strengthen back so it would not bend when using a hand truck
06-06-05	1631435	51269	New narrower feed tube flange, better for feed rate
06-08-05	none	51667	New box stove label with bar code capability
06-28-05	none	51770	Removed 2 fork terminals for thermostat from component bag
08-19-05	0071631976	51829	Serial number label now has a 007 prefix in front of the number
09-28-05	0071632447	49544	Igniter changed from set screw to thumb screw
11-02-05	none	52364	Exhaust blower slots attaching to housing were made into skeleton slots for easy field removal of the blower.

Service Parts

IMPORTANT: THIS IS DATED INFORMATION. The most current information is located on the Quadra-Fire web site at www.quadrafire.com. When ordering, supply serial and model numbers to ensure correct part.

*



Item	Description	Part Number	Mod?
1	Door Latch Assembly	7001-042	Y
2	Rope Retainer Rod	7001-192	
3	Glass Assembly	7001-038	Y
30	Door Assembly	7001-035	Y
5	Hinge, Female	450-2910	
6	Screw, 10-32 x 1/4 PH PHL MS ZC	229-1231	
7	Screw, #8 x 1/2 SMS-S-Grip	12460	
57	Grille Assembly	412-5150	
58	Face	7001-026	Y

* If part has been modified, please refer to the Service Parts List for details.

Figure 3.1 - Face, Door, Glass, & Latch Assembly

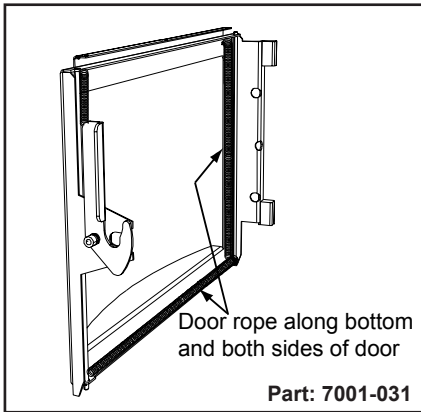


Figure 3.2 - Top Air Wash
SN # 1630507 and lower

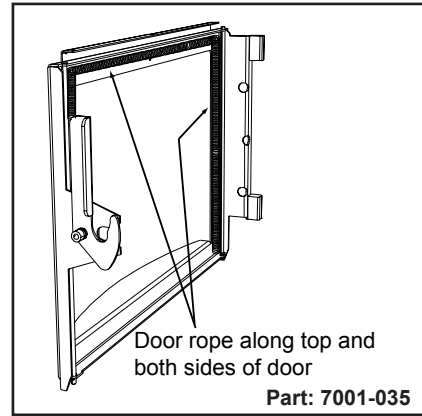


Figure 3.3 - Bottom Air Wash
SN # 1630508 and higher

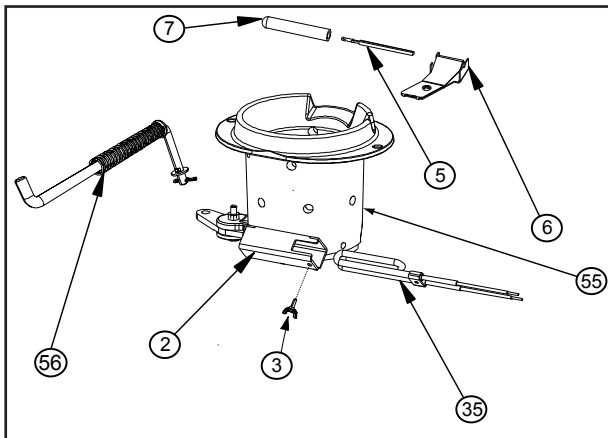


Figure 3.4 - Firepot Assembly

*

Item	Description	Part Number	Mod?
56	Firepot Pull Rod	7001-010	Y
2	Igniter Bracket	Not Replaceable	
3	Thumb Screw	7000-223	
35	Igniter	7000-226	Y
5	Thermocouple, 14"	812-4470	Y
6	Thermocouple Clamp	7001-203	
7	Thermocouple Cover	812-1322	
55	Firepot	414-5200	Y

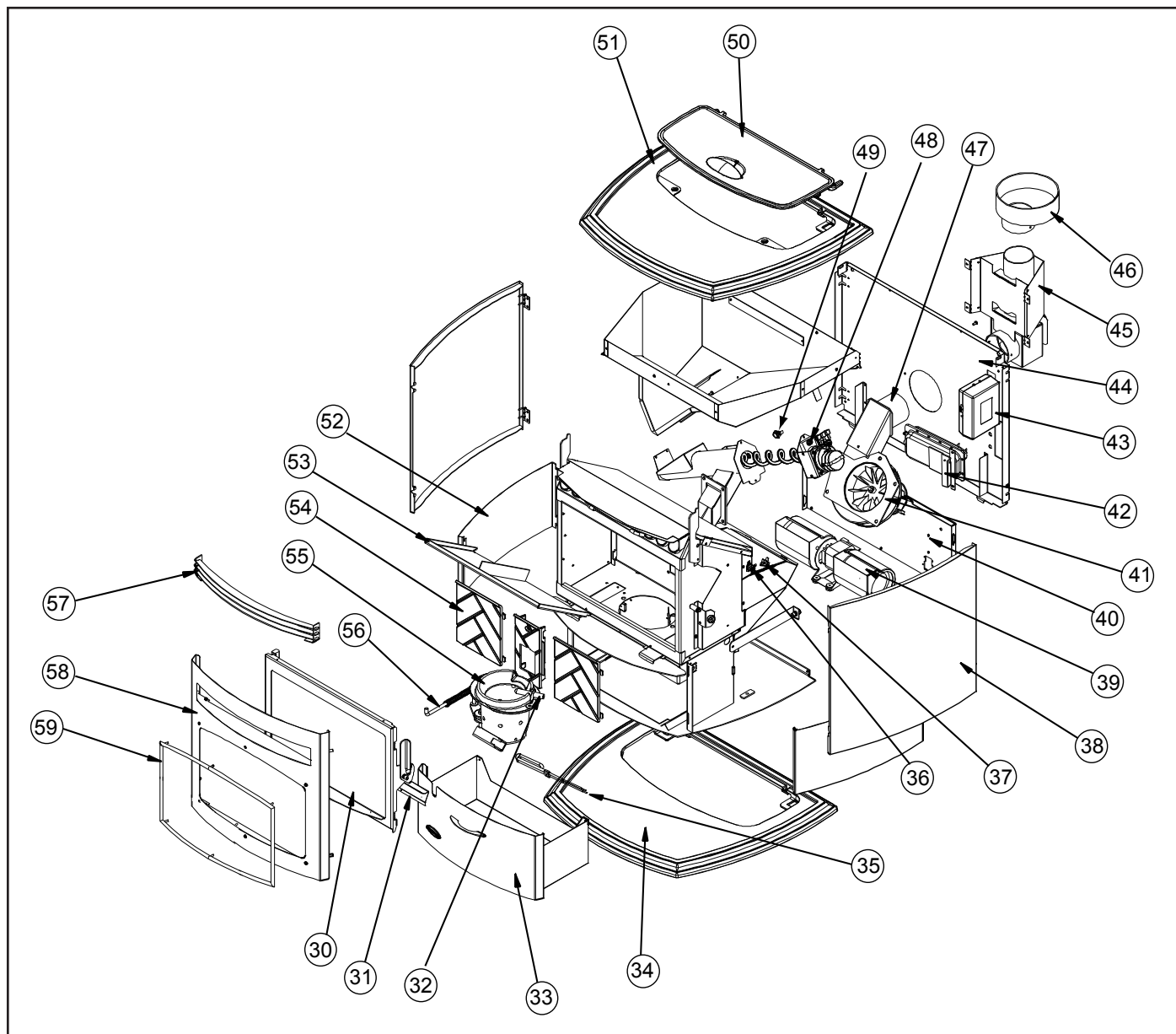


Figure 4.1

Item Nbr	Description	Mod?	Item Nbr	Description	Mod?	Item Nbr	Description	Mod?
30	Door Assembly	Y	40	Pedestal Back		50	Hopper Lid	
31	Ash Deflector		41	Blower, Exhaust	Y	51	Top, Cast	
32	Thermocouple Cover		42	Vacuum Switch	Y	52	Curtain, Pedestal, Side	
33	Ash Drawer		43	Control Box	Y	53	Baffle	Y
34	Base, Cast		44	Back		54	Brick Assembly	Y
35	Igniter	Y	45	Top Vent Kit 3 to 3 inches		55	Firepot	Y
36	Snap Disc #1, 110 degree		46	Top Vent Offset Adapter 3 to 6 in.		56	Firepot Pull Rod	Y
37	Snap Disc #2, 175 degree		47	Exhaust Transition		57	Grille Assembly (Gold or Nickel)	
38	Curtain, Side	Y	48	Feed Motor Assembly	Y	58	Face Assembly	Y
39	Blower, Convection	Y	49	Snap Disc #3, 250 degree		59	Trim Ring (Gold or Nickel)	

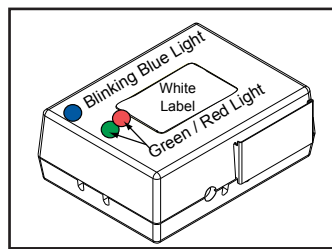
*** If part has been modified, please refer to the Service Parts List for details.**

IMPORTANT: THIS IS DATED INFORMATION. The most current information is located on the Quadra-Fire web site at www.quadrafire.com. When ordering, supply serial and model numbers to ensure correct part.

Item #	Part Description Alphabetical Order	SKU	CHANGE / NOTES	SN # & Date	Retro?	SUPERSEDE / COMMENTS
	Ash Catcher	7001-116				
33	Ash Drawer Assembly	7001-004				
53	Baffle Assembly	7001-018	Original	1630507 & lower		
53	Baffle Assembly	7001-034	Improved air flow	1630508 03-01-05	No	
39	Blower, Convection	812-4900	Blower & fasteners			
39	Blower, Convection	7019-034	Blower & magnet	0071632895 10-11-05	No	ECO 51916.
41	Blower, Exhaust with Housing	812-4400	Slots changed to skeleton for easy field removal	11-02-05	Y	ECO 52364
54	Brick, Center	414-0260				
54	Brick, Left & Right, (interchangeable)	414-0270				
	Component Pack (Includes firepot scraper, touch-up paint, power cord & wiring harness to Thermostat and manual, owner's manual, warranty card, consumer's view & quality card, "How-to-Operate" DVD)	7001-012				
43	Control Box	SRV7000-205	Upgrade	1629615 10-26-04	Yes	812-4941 Retired. Supersede to SRV7000-205. ECO 49517
52	Curtain, Pedestal, Side (Left & Right are interchangeable)	7001-169				
38	Curtain, Side	7001-008		1628124 & lower		
38	Curtain, Side, with Magnet	7001-023	Hinged with magnetic catch	1628125 4-22-04	No	PRO 10650
30	Door Assembly	7001-031	Top air wash	1630507 & lower		ECO 50782
30	Door Assembly	7001-035	Bottom air wash	1630508 03-01-05	No	
	Door Latch Assembly		Replace threaded bushing with roller bushing	1628208 04-30-04		Kept same SKU. ECO 48254
	Door Latch Assembly with Hex Rivnut	7001-042	Round to hex rivnut	07-21-05	Yes	Kept same SKU. ECO 51337.



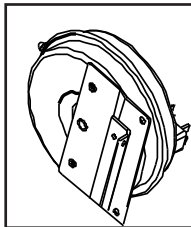
Old Control Box



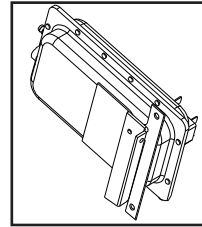
New Control Box

Item #	Part Description Alphabetical Order	SKU	CHANGE / NOTES	SN # & Date	Retro?	SUPERSEDE / COMMENTS
	Feed Adjustment Plate - 2 pieces	413-5050		1628370 & lower		ECO 48537
	Feed Adjustment Plate - 1 piece	7001-182	2 pieces to 1 piece	1628371 05-24-05	N	ECO 48537
58	Face Assembly	7001-026	Removed bottom pin	1630508 03-01-05	Yes	Kept same SKU. ECO 49797
48	Feed Motor & Spring Assembly	812-4760				
	Feed Motor Only w/capacitor	812-4421	Added capacitor to feed motor	1184416 11-29-04		Kept same SKU. ECO 49351
	Feed Motor Capacitor Jumper	230-2150				
	Feed Spring Only	812-4690				
56	Firepot Pull Rod Assembly	7001-010	Crimped ends of pull rod	1630595 03-08-05		Kept same SKU. ECO 49731
55	Firepot, EZ Clean	414-5200	Changed hole pattern	1631534 06-14-05		812-4430 retired for Santa Fe. Still used on Contour. ECO 51469.
	Firepot Bottom Slide Plate	414-0290				
	Gasket, Firepot	240-0930	SKU Management			812-4720 Retired. Supesede to 240-0930. ECO 51253
	Gasket, Tadpole, 10 feet	842-5130				
	Gasket, 1200 ft per roll	240-0880				
	Gasket, 500 ft per roll	240-0940				
	Glass Assembly with Gasket	7001-038	Secure glass with retaining rods	1629610 10-25-04	Yes	ECO 48943
	Heat Ouput Switch (Rocker Switch)	812-3500	Included with wire harness	1627692 02-25-04		ECO 47700
50	Hopper Lid	7001-129				
	Hopper Lid Assembly	7001-007				
	Hopper Lid Hinge, Cast	7001-131				
	Igniter, Loop (Heating Element)		18" wire leads	1184416 11-29-04		7001-020 Retired. Supersede to 7000-226. ECO 49351.
35	Igniter, Loop (Heating Element)	7000-226	Set screw to thumb screw	0071632447 09-28-05	Yes	ECO 49544
35	Igniter Wire (High Temp & 4 ceramic nuts)	812-4520				
	Junction Box & Wiring Harness		Added thermocouple ground wire	1627692 02-25-04		7001-156 & 7001-171 Retired. Supersede to SRV7001-194. ECO 47700
	Junction Box & Wiring Harness	SRV7001-194	Long lead wires, spade connectors	1629926 11-29-04	Yes	New wire harness has all the connectors and wires needed to fit all older configurations. ECO 49351
	Power Cord	812-1180				
	Rivnut Repair Kit, 1/4 - 20	RIVNUT-REPAIR	To repair rivnuts that have stripped out			
36	Snap Disc #1, 110 degrees	230-1220				812-4550 Retired. Supesede to 230-1220 ECO 51466

Item #	Part Description Alphabetical Order	SKU	CHANGE / NOTES	SN # & Date	Retro?	SUPERSEDE / COMMENTS
37	Snap Disc #2, 175 degrees, manual reset	230-1960				812-4950 Retired. Supesede to 230-1960 ECO 51466
49	Snap Disc #3, 250 degrees, manual reset	230-1290				812-3650 Retired. Supesede to 230-1290 ECO 51466
	Thermocouple Clamp	7001-203				
	Thermocouple Cover	812-1322				
	Thermocouple Cover 10 pack	812-4920				
	Thermocouple, 14 inches	812-4470	Change wire from 12" to 14"	1628208 04-30-04		Kept same SKU. ECO 48089
	Thumb Screw for Igniter	7000-223				
51	Top Assembly	7001-016				
	Vacuum Switch, Rectangular	7000-166	Change from round to rectangular	1628076 09-02-04	Yes	812-3430- Retired for Santa Fe. Use (Round) for 800 & 1100-I only. ECO 48338



Old Vacuum Switch



New Vacuum Switch

COMPONENT LOCATIONS

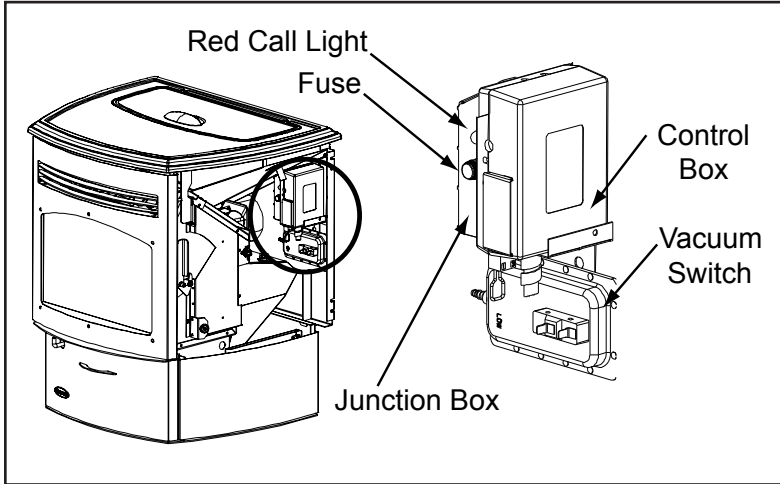


Figure 8.1

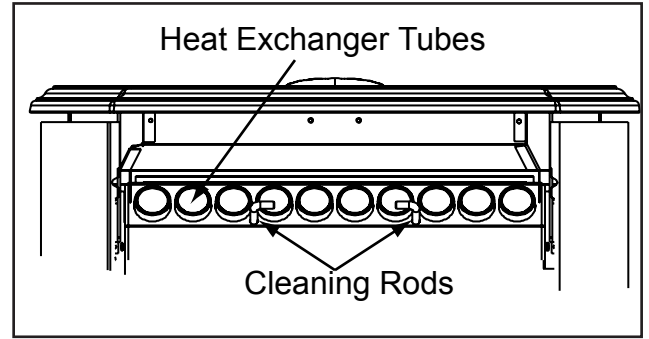


Figure 8.2

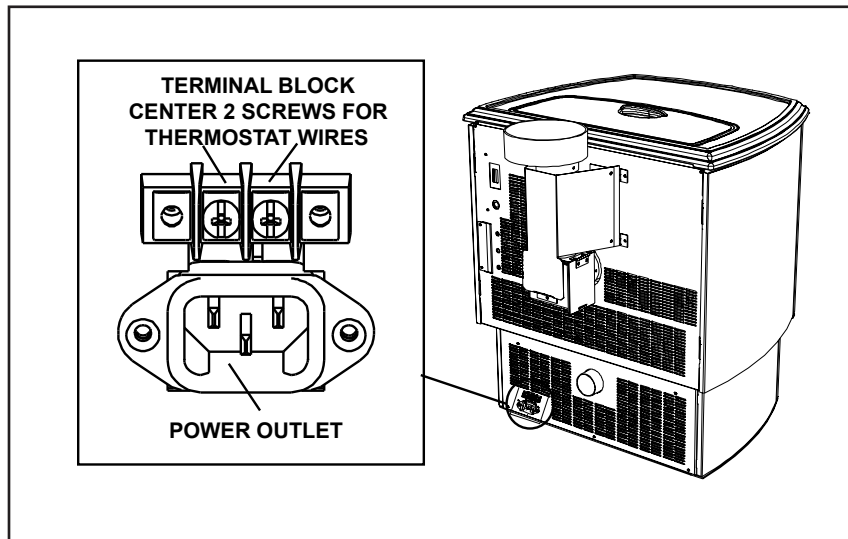


Figure 8.3

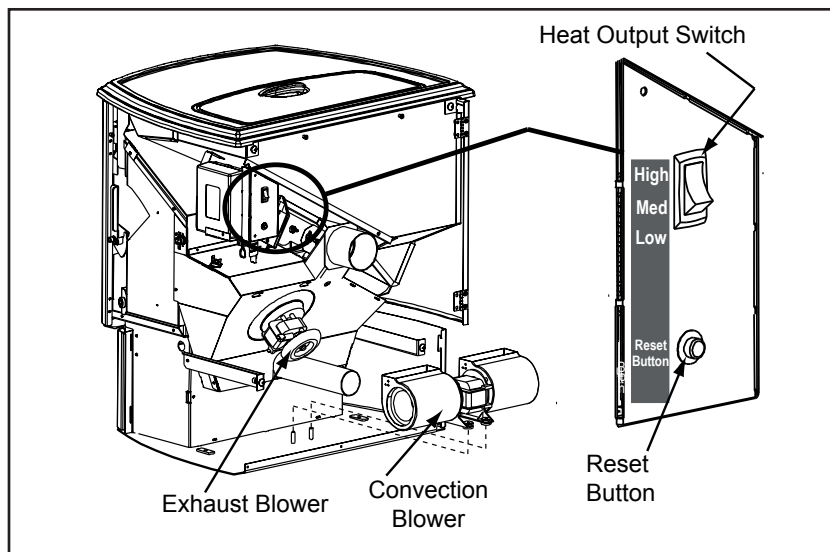


Figure 8.4

INSTALLATION DIAGRAMS

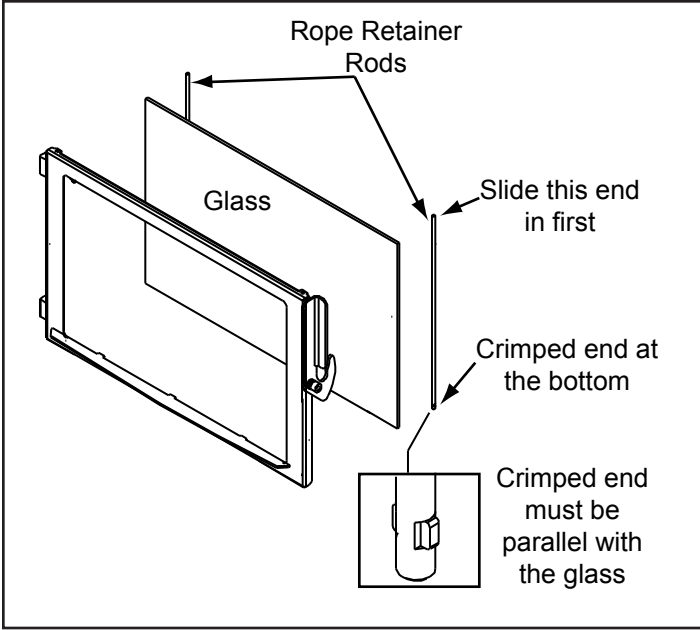


Figure 9.1 - Glass Replacement

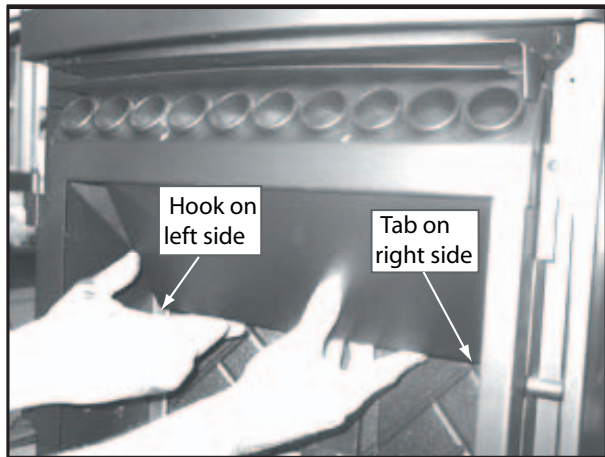


Figure 9.2 - Baffle Removal

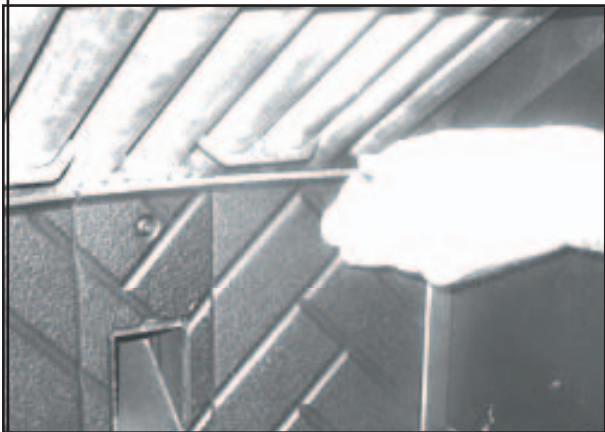


Figure 9.3 - Remove Right Brick to Clean

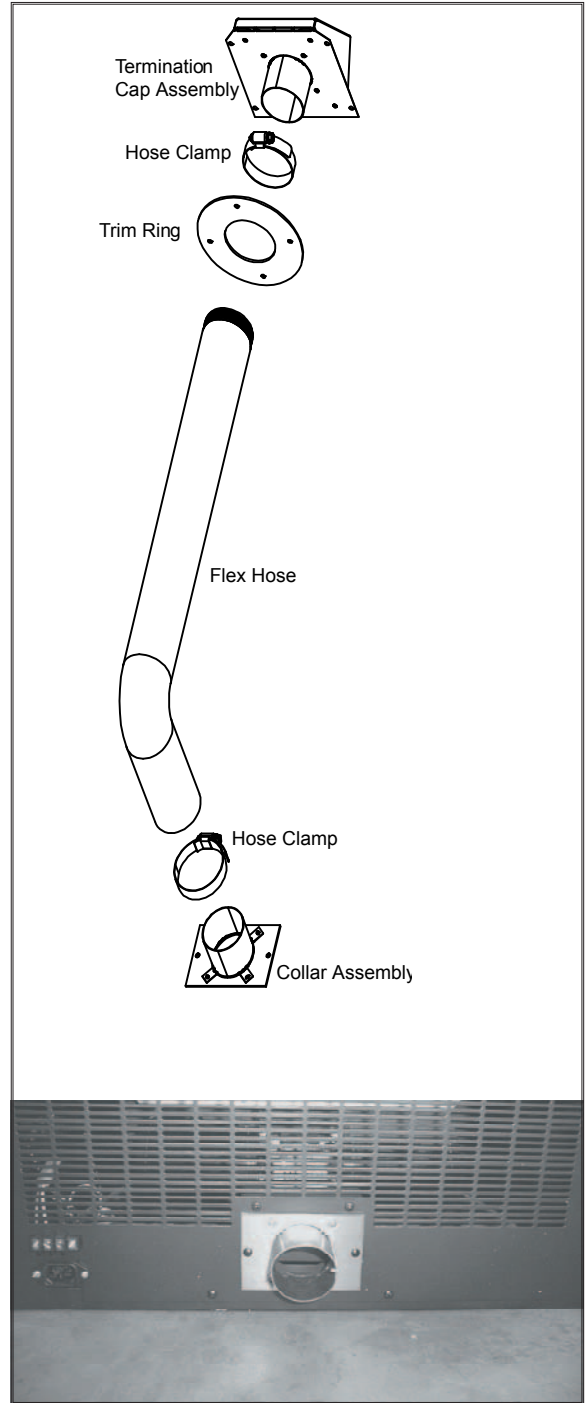


Figure 9.4 - Outside Air Kit Installation