

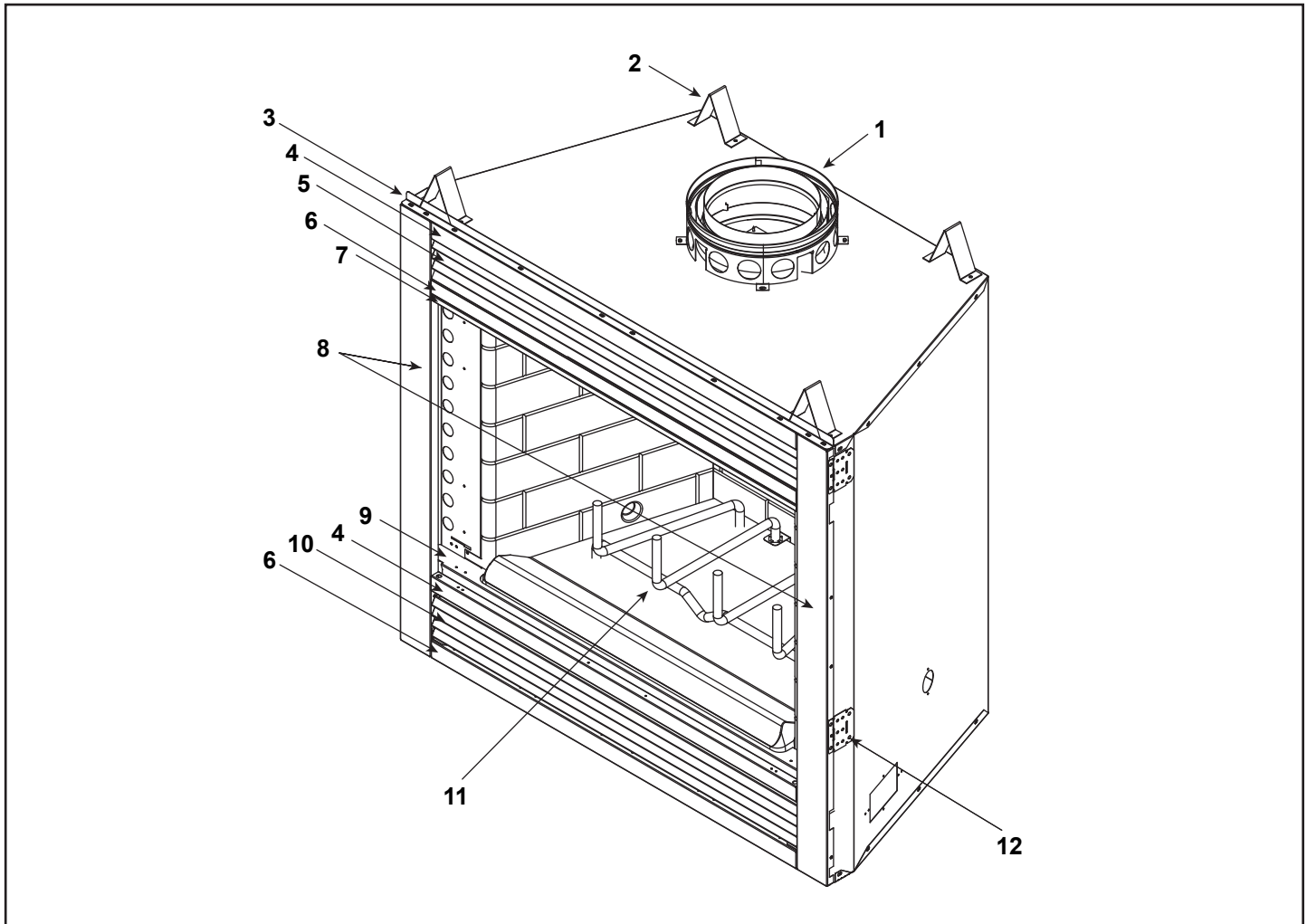


Service Parts

SA42C

Sovereign
42" Woodburning Fireplaces

Beginning Manufacturing Date: N/A
Ending Manufacturing Date: Active



IMPORTANT: THIS IS DATED INFORMATION. Parts must be ordered from a dealer or distributor. **Hearth and Home Technologies does not sell directly to consumers.** Provide model number and serial number when requesting service parts from your dealer or distributor.

| ITEM | DESCRIPTION | COMMENTS | PART NUMBER |
|------|-------------------------------|------------|---------------|
| 1 | Starter Section | | SRV22069 |
| 2 | Top Standoff | Qty 4 req | SRV4044-111 |
| 3 | Drywall Flange | | 28388 |
| 4 | Front Face (Top or Bottom) | Overlay | SRV30569BK |
| 5 | Upper Grille Assembly | | SRV4010-082BK |
| 6 | Glass Support (Top or Bottom) | Overlay | SRV29902BK |
| 7 | Smoke Shield | | SRV35221BK |
| 8 | Column (Right or Left) | Overlay | SRV29899BK |
| 9 | Hearth Filler | | SRV30332BK |
| 10 | Lower Grille Assembly | | SRV4010-083BK |
| 11 | Grate | | GR19 |
| | Grate Clip | Qty 2 req. | SRV28062 |

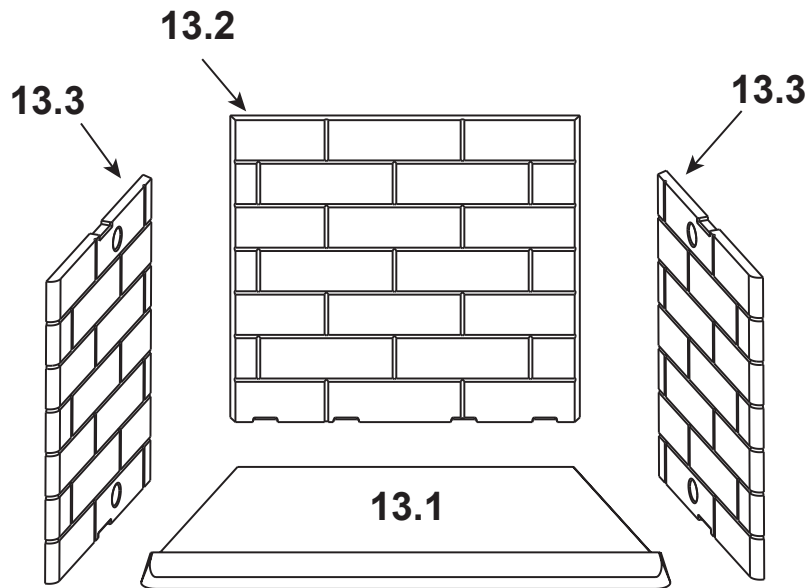
Additional service parts on following page.



IMPORTANT: THIS IS DATED INFORMATION. Parts must be ordered from a dealer or distributor. **Hearth and Home Technologies does not sell directly to consumers.** Provide model number and serial number when requesting service parts from your dealer or distributor.

| ITEM | DESCRIPTION | COMMENTS | PART NUMBER |
|------|----------------------|--------------------------------------|-------------|
| | Hang Down Damper Kit | Order for rod replacement | SRV28380 |
| | Damper Weight | Order when rod is not being replaced | SRV19785 |
| | Damper Blade | | 30558 |
| | Door Pivot Clip | Qty 2 req. | SRV31527 |
| | Firescreen Assembly | Qty 2 req. | 29246 |
| | Firescreen Handle | Qty 2 req. | SRV10002 |
| | Firescreen Rod | Qty 2 req. | SRV4010-102 |
| | Junction Box | | SRV21878 |
| 12 | Nailing Flange | Qty 4 req. | SRV31190 |
| | Refractory Retainer | Qty 3 req. | SRV11847 |
| | Smoke Baffle (Right) | | 35329 |
| | Smoke Baffle (Left) | | 35330 |
| | Strip Protector | Qty 2 req. | SRV18320 |
| | Upper Door Track | | SRV15427BK |
| | Installation Manual | | 4010-262 |
| | Owner's Manual | | 4010-263 |
| | Touch-Up Paint | | 71479 |

#13 Refractory Assembly



| | | | |
|------|-------------------|--|----------|
| 13.1 | Hearth Refractory | | SRV28391 |
| 13.2 | Back Refractory | | SRV28394 |
| 13.3 | Side Refractory | | SRV28393 |