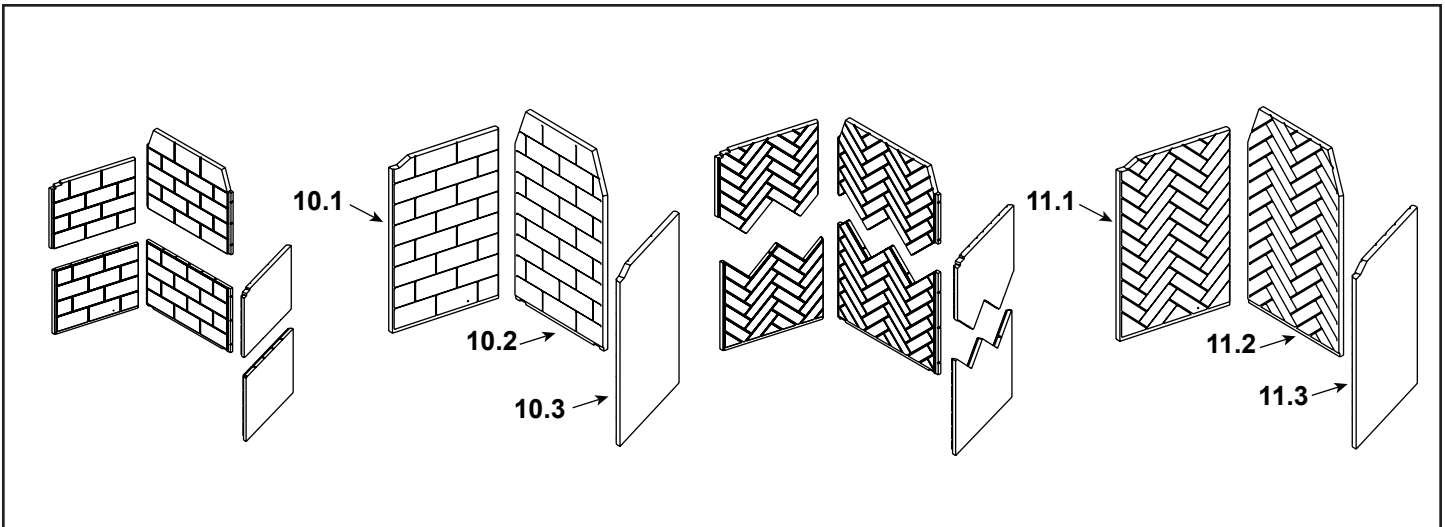


**IMPORTANT: THIS IS DATED INFORMATION.** When requesting service or replacement parts for your appliance please provide model number and serial number. All parts listed in this manual may be ordered from an authorized dealer.



**Stocked at Depot**

ITEM	DESCRIPTION	COMMENTS	PART NUMBER	Stocked at Depot
1	Damper Blade Assembly		4059-030	
2	Damper Control		35159	
3	Outside Air Collar Assembly	Qty 2 req	4059-037	
4	OA Door	Qty 2 req	4059-049	
5	Screen Rod	Qty 2 req	4059-313	Y
	Screen Rod Clips	Qty 2 req	SRV4059-111	Y
6	Firescreen Assembly	Qty 2 req	4059-029	Y
7	Grate Assembly		GR39	Y
8	Andiron Assembly	Qty 2 req	4059-066	
9	Hearth Molded Brick Panel	<b>No longer available</b>	4059-034	
			<b>SRV4059-697</b>	
	Insect Guard Screening		14DCA-SCRN	
	Mortar	<b>10 LB Pail</b>	<b>MMMORTR</b>	
	Spacing Clips, 1/2 in	Pkg of 30	14DCA-SPCRM	
	Outside Air Hood	Qty 2 req	SRV4059-051	
	Installation Manual		4059-333	



**IMPORTANT: THIS IS DATED INFORMATION.** When requesting service or replacement parts for your appliance please provide model number and serial number. All parts listed in this manual may be ordered from an authorized dealer.



**Stocked at Depot**

ITEM	DESCRIPTION	COMMENTS	PART NUMBER	
<b>Traditional Molded Brick Panel</b>				
	Lower Left Panel	No longer available	4059-350	
	Upper Left Panel	No longer available	4059-351	
	Lower Right Panel	No longer available	4059-352	
	Upper Right Panel	No longer available	4059-353	
	Lower Rear Panel	No longer available	4059-364	
	Upper Rear Panel	No longer available	4059-365	
10	Traditional Refractory		MMTB50-B	
10.1	Left Panel		SRV4059-652	
10.2	Back Panel		SRV4059-663	
10.3	Right Panel		SRV4059-653	
	Refractory Fastener Pack (Contains 8 panhead screws, drill bit & 8 clips)		4059-668	
<b>Herringbone Molded Brick Panel</b>				
	Lower Left Panel	No longer available	4059-357	
	Upper Left Panel	No longer available	4059-358	
	Lower Right Panel	No longer available	4059-359	
	Upper Right Panel	No longer available	4059-360	
	Lower Rear Panel	No longer available	4059-368	
	Upper Rear Panel	No longer available	4059-369	
11	Herringbone Refractory		MMHB50-B	
11.1	Left Panel		SRV4059-656	
11.2	Back Panel		SRV4059-665	
11.3	Right Panel		SRV4059-657	
	Refractory Fastener Pack (Contains 8 panhead screws, drill bit & 8 clips)		4059-668	