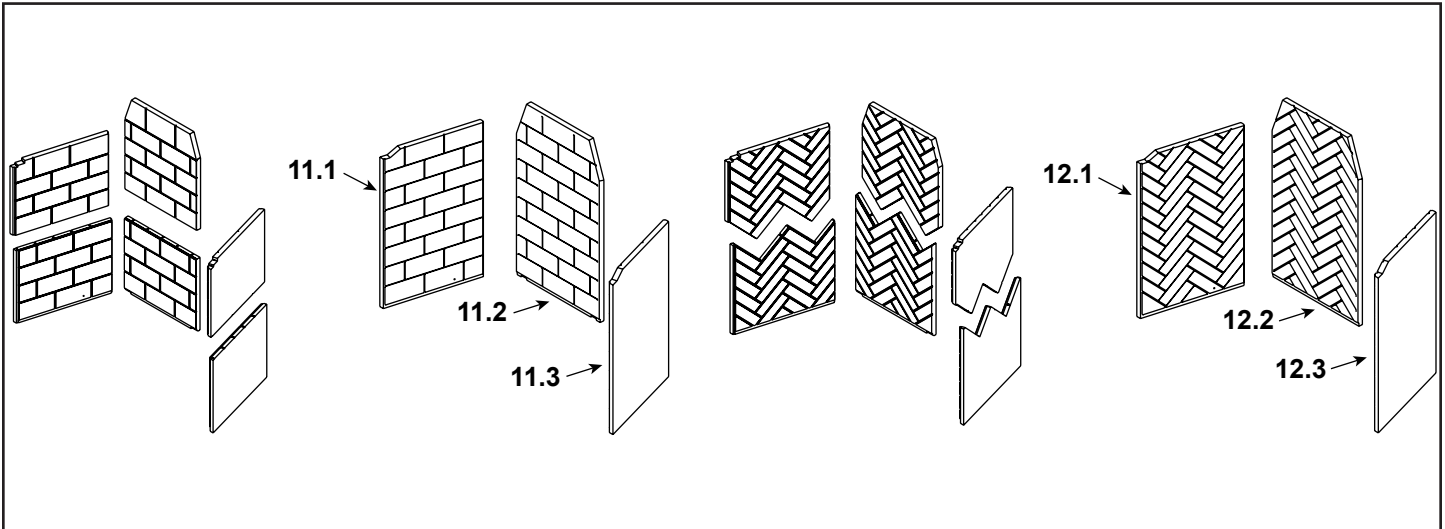


IMPORTANT: THIS IS DATED INFORMATION. When requesting service or replacement parts for your appliance please provide model number and serial number. All parts listed in this manual may be ordered from an authorized dealer.



Stocked at Depot

ITEM	DESCRIPTION	COMMENTS	PART NUMBER	
1	Damper Blade Assembly		4059-030	
2	Damper Control		35159	
3	Outside Air Collar Assembly	Qty 2 req	4059-037	
4	OA Door	Qty 2 req	4059-049	
5	Firescreen Assembly W/Rod	Qty 2 req	4059-053	Y
6	Screen Rod	Qty 2 req	SRV4059-512	Y
	Screen Rod Clips	Qty 2 req	SRV4059-111	Y
7	Firescreen Assembly		4059-054	
8	Grate Assembly		GR37	Y
9	Hearth Molded Brick Panel	No longer available	SRV4059-055	
			SRV4059-693	
	Mortar	10 LB Pail	MMMORTR	
10	Andiron Assembly	Qty 2 req	4059-066	
	Outside Air Hood	Qty 2 req	SRV4059-051	
	Installation Manual		4059-341	



IMPORTANT: THIS IS DATED INFORMATION. When requesting service or replacement parts for your appliance please provide model number and serial number. All parts listed in this manual may be ordered from an authorized dealer.



Stocked at Depot

ITEM	DESCRIPTION	COMMENTS	PART NUMBER	
Traditional Molded Brick Panel				
	Lower Left Panel	No longer available	4059-350	
	Upper Left Panel	No longer available	4059-351	
	Lower Right Panel	No longer available	4059-352	
	Upper Right Panel	No longer available	4059-353	
	Lower Rear Panel	No longer available	4059-554	
	Upper Rear Panel	No longer available	4059-555	
11	Traditional Refractory		MMTB36-B	
11.1	Left Panel		SRV4059-652	
11.2	Back Panel		SRV4059-659	
11.3	Right Panel		SRV4059-653	
	Refractory Fastener Pack (Contains 8 panhead screws, drill bit & 8 clips)		4059-668	
Herringbone Molded Brick Panel				
	Lower Left Panel	No longer available	4059-357	
	Upper Left Panel	No longer available	4059-358	
	Lower Right Panel	No longer available	4059-359	
	Upper Right Panel	No longer available	4059-360	
	Lower Rear Panel	No longer available	4059-561	
	Upper Rear Panel	No longer available	4059-562	
12	Herringbone Refractory		MMHB36-B	
12.1	Left Panel		SRV4059-656	
12.2	Back Panel		SRV4059-661	
12.3	Right Panel		SRV4059-657	
	Refractory Fastener Pack (Contains 8 panhead screws, drill bit & 8 clips)		4059-668	