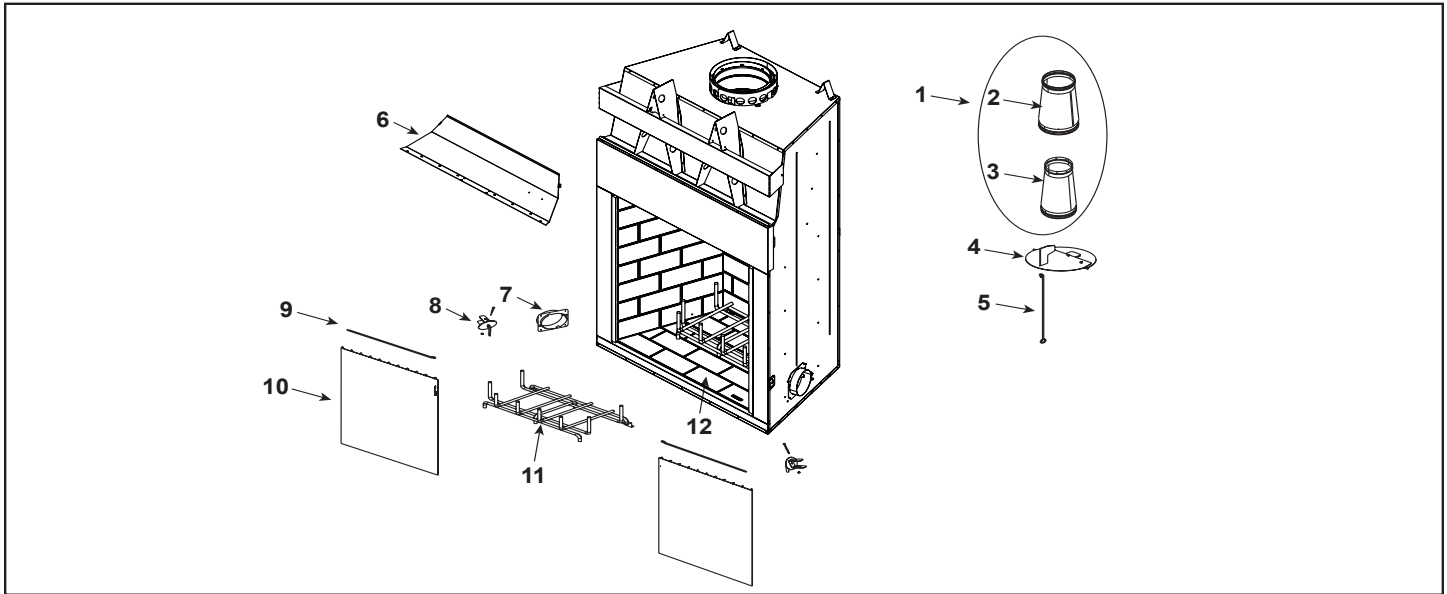


No one builds a better fire



IMPORTANT: THIS IS DATED INFORMATION. Parts must be ordered from a dealer or distributor. **Hearth and Home Technologies does not sell directly to consumers.** Provide model number and serial number when requesting service parts from your dealer or distributor.

Stocked at Depot

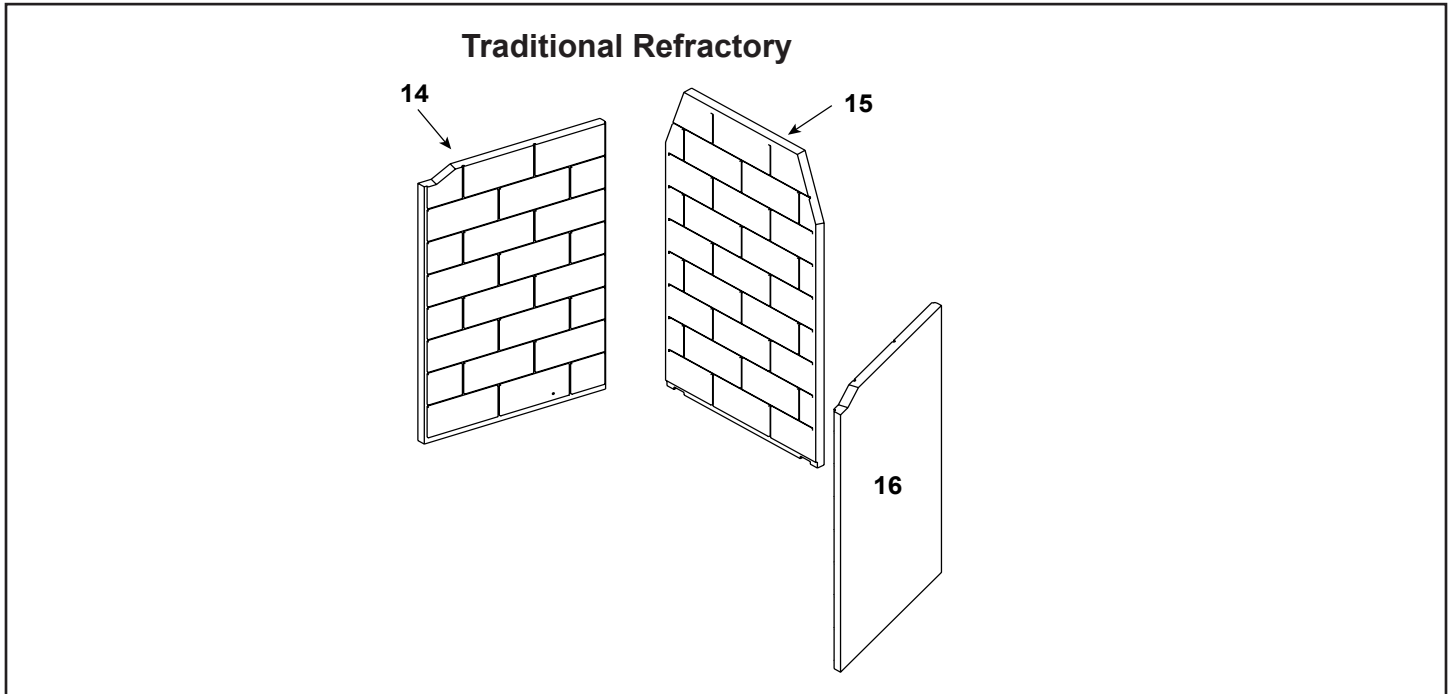
ITEM	DESCRIPTION	COMMENTS	PART NUMBER	
1	Transition Assembly		SRV4059-044	
2	Outer Transition Assembly		SRV24377	
3	Inner Transition Collar		SRV4059-148	
4	Damper Blade Assembly		SRV4059-030	
5	Damper Control		SRV35159	
6	Smoke Shield		SRV4059-117	
7	Outside Air Collar Assembly	Qty 2 req	SRV4059-037	
8	OA Door	Qty 2 req	SRV4059-049	
9	Screen Rod	Qty 2 req	SRV4059-312	Y
	Screen Rod Clips (Includes qty of 2)		SRV4059-111	Y
10	Firescreen Assembly	Qty 2 req	SRV4059-028	Y
11	Grate Assembly		GR38	Y
	Grate Retainer (Includes qty of 2)		SRV4017-060	
12	Hearth Refractory	Natural Gray	SRV4059-381	
		Antler Velvet	SRV4059-381AV	
		Black Onyx	SRV4059-381BK	
		Masonry Brown	SRV4059-381BR	
13	Andiron Assembly	Qty 2 req	SRV4059-066	
	Mortar	10Lb Bucket	MMMORTR	
	Outside Air Hood	Qty 2 req	SRV4059-271	
	Protector Strip	Qty 2 req	SRV18320	
	Starter Collar		SRV4059-137	
	Owners Manual		4059-963	
	Installation Manual		4059-962	

Additional service parts on following page

No one builds a better fire

Beginning Manufacturing Date: Mar 2026

Ending Manufacturing Date: Active



IMPORTANT: THIS IS DATED INFORMATION. Parts must be ordered from a dealer or distributor. **Hearth and Home Technologies does not sell directly to consumers.** Provide model number and serial number when requesting service parts from your dealer or distributor.

Stocked at Depot

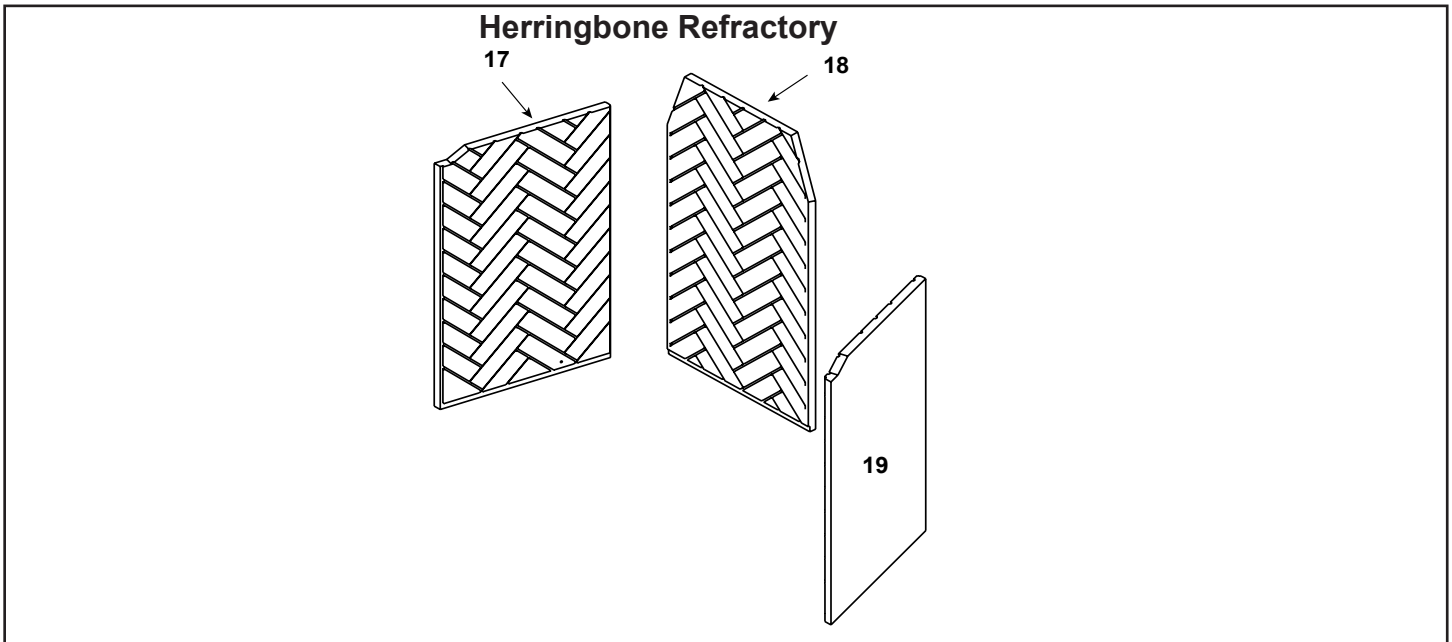
ITEM	DESCRIPTION	COMMENTS	PART NUMBER	
	Traditional Refractory Set	Natural Gray	WDR3842-T-NG	
		Antler Velvet	WDR3842-T-AV	
		Black Onyx	WDR3842-T-BK	
		Masonry Brown	WDR3842-T-BR	
	Refractory Touch-Up Paint	Antler Velvet	TUP-AV	
		Black Onyx	TUP-BK	
		Masonry Brown	TUP-BR	
14	Left Panel	Natural Gray	SRV4059-852	
		Antler Velvet	SRV4059-852AV	
		Black Onyx	SRV4059-852BK	
		Masonry Brown	SRV4059-852BR	
15	Back Panel	Natural Gray	SRV4059-851	
		Antler Velvet	SRV4059-851AV	
		Black Onyx	SRV4059-851BK	
		Masonry Brown	SRV4059-851BR	
16	Right Panel	Natural Gray	SRV4059-853	
		Antler Velvet	SRV4059-853AV	
		Black Onyx	SRV4059-853BK	
		Masonry Brown	SRV4059-853BR	
	Refractory Fastener Pack Contains: 8 #6 X 1 1/2" Panhead screw, 3/32" Drill Bit, 8 Clips,		SRV4059-668	

Additional service parts on following page

No one builds a better fire

Beginning Manufacturing Date: Mar 2026

Ending Manufacturing Date: Active



IMPORTANT: THIS IS DATED INFORMATION. Parts must be ordered from a dealer or distributor. **Hearth and Home Technologies does not sell directly to consumers.** Provide model number and serial number when requesting service parts from your dealer or distributor.

Stocked at Depot

ITEM	DESCRIPTION	COMMENTS	PART NUMBER	
	Herringbone Refractory Set	Natural Gray	WDR3842-H-NG	
		Antler Velvet	WDR3842-H-AV	
		Black Onyx	WDR3842-H-BK	
		Masonry Brown	WDR3842-H-BR	
	Refractory Touch-Up Paint	Antler Velvet	TUP-AV	
		Black Onyx	TUP-BK	
		Masonry Brown	TUP-BR	
17	Left Panel	Natural Gray	SRV4059-856	
		Antler Velvet	SRV4059-856AV	
		Black Onyx	SRV4059-856BK	
		Masonry Brown	SRV4059-856BR	
18	Back Panel	Natural Gray	SRV4059-855	
		Antler Velvet	SRV4059-855AV	
		Black Onyx	SRV4059-855BK	
		Masonry Brown	SRV4059-855BR	
19	Right Panel	Natural Gray	SRV4059-857	
		Antler Velvet	SRV4059-857AV	
		Black Onyx	SRV4059-857BK	
		Masonry Brown	SRV4059-857BR	
	Refractory Fastener Pack		SRV4059-668	
Contains: 8 #6 X 1 1/2" Panhead screw, 3/32" Drill Bit, 8 Clips,				